

Data sheet

Commercial Art.No.: 72.703.3253.0

Female insert POW BUC 8/24 AF



Commercial Art.No.	72.703.3253.0
EAN	4049088168567
Order Unit	100

Certificates / Approvals



Technical data

General

Model	Female insert
Inflammability class of insulation material acc. with UL94	V0
Color	Grey
Pollution degree	3
Modular version	No
Operating temperature range min.	-40 °C
Operating temperature range max.	120 °C

Connection Data

Connection type	Crimp
Number of poles	8
With wire protection	No
Protective contact	yes

Technical Data UL/CSA

Min. conductor cross section flexible wire	0.14 mm ²
Max. conductor cross section flexible wire	4 mm ²

Model

With housing	No
--------------	----

Contacts

Contact material	See contacts
------------------	--------------

Surface	See contacts
---------	--------------

Technical Data DIN EN 61984

Nominal voltage	400 V
Nominal current	16 A
Rated impulse voltage	2.5 kV

Classification

ECLASS 11	
ECLASS 8.1	27440205
ETIM 7.0	EC000438
ETIM 6.0	EC000438
ETIM 5.0	EC000438
ETIM 4.0	EC000438

Product compliance

ROHS conformity status	Compliant
REACH-SVHC conformity status	Compliant

Fits with

Commercial Art.No.:	Article-type description:	Description:
71.350.1035.0	Hood BAS GOT GG 10 M20 A0	Hood revos basic made of aluminum, for single locking lever with cable gland M20 on the right side (IP54), low version, 10-poles
71.350.1035.1	Hood BAS GOT GG 10 M20 A1	Hood revos basic made of aluminum, for single locking lever with threaded hole M20 on the right side, low version, 10-poles
71.350.1035.2	Hood BAS GOT GG 10 M20 A2	Hood revos basic made of aluminum, for single locking lever with nozzleM20 on the right side, low version, 10-poles
71.350.1035.3	Hood BAS GOT GG 10 M20 A3	Hood revos basic made of aluminum, for single locking lever with trumpet gland M20 on the right side (IP54), low version, 10-poles
71.352.1035.0	Hood BAS GOT GI 10 M20 A0	Hood revos basic made of aluminum, for single locking lever with cable gland M20 on the top (IP54), low version, 10-poles
71.352.1035.1	Hood BAS GOT GI 10 M20 A1	Hood revos basic made of aluminum, for single locking lever with threaded hole M20 on the top, low version, 10-poles
71.352.1035.2	Hood BAS GOT GI 10 M20 A2	Hood revos basic made of aluminum, for single locking lever with nozzleM20 on the top, low version, 10-poles
71.352.1035.3	Hood BAS GOT GI 10 M20 A3	Hood revos basic made of aluminum, for single locking lever with trumpet gland M20 on the top (IP54), low version, 10-poles
71.353.1035.0	Hood BAS GOT GG 10 M25 A0	Hood revos basic made of aluminum, for single locking lever with cable gland M25 on the right side (IP54), low version, 10-poles
71.353.1035.1	Hood BAS GOT GG 10 M25 A1	Hood revos basic made of aluminum, for single locking lever with threaded hole M25 on the right side, low version, 10-poles
71.353.1035.3	Hood BAS GOT GG 10 M25 A3	Hood revos basic made of aluminum, for single locking lever with trumpet gland M25 on the right side (IP54), low version, 10-poles
71.354.1035.0	Hood BAS GOT GI 10 M25 A1	Hood revos basic made of aluminum, for single locking lever with threaded hole M25 on the top, low version, 10-poles
71.354.1035.1	Hood BAS GOT GI 10 M25 A2	Hood revos basic made of aluminum, for single locking lever with nozzleM25 on the top, low version, 10-poles
71.354.1035.3	Hood BAS GOT GI 10 M25 A5	Hood revos basic made of aluminum, for single locking lever with cable gland M25 on the top (IP65), low version, 10-poles

71.372.1035.0	Hood BAS GOT GL 10 M20 A0	Hood revos basic made of aluminum, with single locking lever and cable gland M20 on the top - free cable connection (IP54), low version, 10-poles
71.372.1035.1	Hood BAS GOT GL 10 M20 A1	Hood revos basic made of aluminum, with single locking lever and threaded hole M20 on the top - free cable connection, low version, 10-poles
71.372.1035.3	Hood BAS GOT GL 10 M20 A3	Hood revos basic made of aluminum, with single locking lever and trumpet gland M20 on the top - free cable connection (IP54), low version, 10-poles
76.350.1035.0	Hood BAS GOT GG 10HM25 50 A0	Hood revos basic made of aluminum, for single locking lever with cable gland M25 on the right side (IP54), low version, 10-poles
76.350.1035.1	Hood BAS GOT GG 10HM25 50 A1	Hood revos basic made of aluminum, for single locking lever with threaded hole M25 on the right side, low version, 10-poles
76.351.1035.0	Hood BAS GOT GH 10H M20 A0	Hood revos basic made of aluminum, for single locking lever with cable gland M20 on the front (IP54), low version, 10-poles
76.351.1035.1	Hood BAS GOT GH 10H M20 A1	Hood revos basic made of aluminum, for single locking lever with threaded hole M20 on the front, low version, 10-poles
76.351.1035.3	Hood BAS GOT GH 10H M20 A3	Hood revos basic made of aluminum, for single locking lever with trumpet gland M20 on the front (IP54), low version, 10-poles
76.352.1035.0	Hood BAS GOT GI 10HM25 50 A0	Hood revos basic made of aluminum, for single locking lever with cable gland M25 on the top (IP54), low version, 10-poles
76.352.1035.1	Hood BAS GOT GI 10HM25 50 A1	Hood revos basic made of aluminum, for single locking lever with threaded hole M25 on the top, low version, 10-poles
76.353.1035.0	Hood BAS GOT GG 10HM32 50 A0	Hood revos basic made of aluminum, for single locking lever with cable gland M32 on the right side (IP54), low version, 10-poles
76.353.1035.1	Hood BAS GOT GG 10HM32 50 A1	Hood revos basic made of aluminum, for single locking lever with threaded hole M32 on the right side, low version, 10-poles
76.353.1035.2	Hood BAS GOT GG 10HM32 50 A2	Hood revos basic made of aluminum, for single locking lever with nozzleM32 on the right side, low version, 10-poles
76.354.1035.0	Hood BAS GOT GI 10HM32 50 A0	Hood revos basic made of aluminum, for single locking lever with cable gland M32 on the top (IP54), low version, 10-poles
76.354.1035.1	Hood BAS GOT GI 10HM32 50 A1	Hood revos basic made of aluminum, for single locking lever with threaded hole M32 on the top, low version, 10-poles
76.354.1035.2	Hood BAS GOT GI 10HM32 50 A2	Hood revos basic made of aluminum, for single locking lever with nozzleM32 on the top, low version, 10-poles
71.320.1028.0	Bottom BAS GUT GK 10 A	Bottom-base revos basic made of aluminum, with single locking lever, open, low version, 10-poles
71.325.1028.0	Bottom BAS GUT GP 10 A	Bottom-base revos basic made of aluminum, with single locking lever, open, low version, 10-poles
71.330.1035.0	Bottom BAS GUT GL 10 M20 A0	Bottom-base revos basic made of aluminum, with single locking lever and cable gland M20 on the right and left side (IP54), low version, 10-polig
71.330.1035.1	Bottom BAS GUT GL 10 M20 A1	Bottom-base revos basic made of aluminum, with single locking lever and threaded hole M20 on the right and left side, low version, 10-polig
71.331.1035.0	Bottom BAS GUT GM 10 M20 A0	Bottom-base revos basic made of aluminum, with single locking lever and cable gland M20 on the left side (IP54), low version, 10-polig
71.331.1035.1	Bottom BAS GUT GM 10 M20 A1	Bottom-base revos basic made of aluminum, with single locking lever and threaded hole M20 on the left side, low version, 10-polig
71.333.1035.0	Bottom BAS GUT GO 10 M20 A0	Bottom-base revos basic made of aluminum, with single locking lever and cable gland M20 on the bottom (IP54), low version, 10-polig
71.333.1035.1	Bottom BAS GUT GO 10 M20 A1	Bottom-base revos basic made of aluminum, with single locking lever and threaded hole M20 on the bottom, low version, 10-polig
71.335.1035.0	Bottom BAS GUT GM 10 M25 A0	Bottom-base revos basic made of aluminum, with single locking lever and cable gland M25 on the left side (IP54), low version, 10-polig
71.335.1035.1	Bottom BAS GUT GM 10 M25 A1	Bottom-base revos basic made of aluminum, with single locking lever and threaded hole M25 on the left side, low version, 10-polig

71.340.1035.0	Bottom BAS GUT GR 10 M20 A0	Bottom-base revos basic made of aluminum, with single locking lever andcable gland M20 on the right and the left side, with protective cover (IP54), low version, 10-polig
71.340.1035.1	Bottom BAS GUT GR 10 M20 A1	Bottom-base revos basic made of aluminum, with single locking lever andthreaded hole M20 on the right and the left side, with protective cover, low version, 10-polig
71.341.1035.0	Bottom BAS GUT GS 10 M20 A0	Bottom-base revos basic made of aluminum, with single locking lever andcable gland M20 on the left side, with protective cover (IP54), low version, 10-polig
71.341.1035.1	Bottom BAS GUT GS 10 M20 A1	Bottom-base revos basic made of aluminum, with single locking lever andthreaded hole M20 on the left side, with protective cover, low version, 10-polig
71.342.1035.0	Bottom BAS GUT GT 10 M20 A0	Bottom-base revos basic made of aluminum, with single locking lever andcable gland M20 on the right side, with protective cover (IP54), low version, 10-polig
71.342.1035.1	Bottom BAS GUT GT 10 M20 A1	Bottom-base revos basic made of aluminum, with single locking lever andthreaded hole M20 on the right side, with protective cover, low version, 10-polig
71.343.1035.0	Bottom BAS GUT GU 10 M20 A0	Bottom-base revos basic made of aluminum, with single locking lever andcable gland M20 on the bottom, with protective cover (IP54), low version, 10-polig
71.343.1035.1	Bottom BAS GUT GU 10 M20 A1	Bottom-base revos basic made of aluminum, with single locking lever andthreaded hole M20 on the bottom, with protective cover, low version, 10-polig
76.330.1035.0	Bottom BAS GUT GL 10HM25 50 A0	Bottom-base revos basic made of aluminum, with single locking lever andcable gland M25 on the right and left side (IP54), low version, 10-polig
76.330.1035.1	Bottom BAS GUT GL 10HM25 50 A1	Bottom-base revos basic made of aluminum, with single locking lever andthreaded hole M25 on the right and left side, low version, 10-polig
76.331.1035.0	Bottom BAS GUT GM 10HM25 50 A0	Bottom-base revos basic made of aluminum, with single locking lever andcable gland M25 on the left side (IP54), low version, 10-polig
76.331.1035.1	Bottom BAS GUT GM 10HM25 50 A1	Bottom-base revos basic made of aluminum, with single locking lever andthreaded hole M25 on the left side, low version, 10-polig
76.334.1035.0	Bottom BAS GUT GL 10HM32 50 A0	Bottom-base revos basic made of aluminum, with single locking lever andcable gland M32 on the right and left side (IP54), low version, 10-polig
76.334.1035.1	Bottom BAS GUT GL 10HM32 50 A1	Bottom-base revos basic made of aluminum, with single locking lever andthreaded hole M32 on the right and left side, low version, 10-polig
76.335.1035.1	Bottom BAS GUT GM 10HM32 50 A1	Bottom-base revos basic made of aluminum, with single locking lever andthreaded hole M32 on the left side, low version, 10-polig
76.340.1035.0	Bottom BAS GUT GR 10HM25 50 A0	Bottom-base revos basic made of aluminum, with single locking lever andcable gland M25 on the right and the left side, with protective cover (IP54), low version, 10-polig
76.340.1035.1	Bottom BAS GUT GR 10HM25 50 A1	Bottom-base revos basic made of aluminum, with single locking lever andthreaded hole M25 on the right and the left side, with protective cover, low version, 10-polig
76.341.1035.0	Bottom BAS GUT GS 10HM25 50 A0	Bottom-base revos basic made of aluminum, with single locking lever andcable gland M25 on the left side, with protective cover (IP54), low version, 10-polig
76.341.1035.1	Bottom BAS GUT GS 10HM25 50 A1	Bottom-base revos basic made of aluminum, with single locking lever andthreaded hole M25 on the left side, with protective cover, low version, 10-polig
76.342.1035.0	Bottom BAS GUT GT 10HM25 50 A0	Bottom-base revos basic made of aluminum, with single locking lever andcable gland M25 on the right side, with protective cover (IP54), low version, 10-polig

76.342.1035.1	Bottom BAS GUT GM 10HM25 50 A1	Bottom-base revos basic made of aluminum, with single locking lever and threaded hole M25 on the left side, low version, 10-polig
76.344.1035.0	Bottom BAS GUT GR 10HM32 50 A0	Bottom-base revos basic made of aluminum, with single locking lever and cable gland M32 on the right and the left side, with protective cover (IP54), low version, 10-polig
76.344.1035.1	Bottom BAS GUT GR 10HM32 50 A1	Bottom-base revos basic made of aluminum, with single locking lever and threaded hole M32 on the right and the left side, with protective cover, low version, 10-polig
76.345.1035.1	Bottom BAS GUT GS 10HM32 50 A1	Bottom-base revos basic made of aluminum, with single locking lever and threaded hole M32 on the left side, with protective cover, low version, 10-polig
76.346.1035.1	Bottom BAS GUT GT 10HM32 50 A1	Bottom-base revos basic made of aluminum, with single locking lever and threaded hole M32 on the right side, with protective cover, low version, 10-polig
70.350.1035.0	Hood BAS GOT GA 10 M20 A0	Hood revos basic made of aluminum, for double locking lever or screw cap with cable gland M20 on the right side (IP54), low version, 10-poles
70.350.1035.1	Hood BAS GOT GA 10 M20 A1	Hood revos basic made of aluminum, for double locking lever or screw cap with threaded hole M20 on the right side, low version, 10-poles
70.350.1035.2	Hood BAS GOT GA 10 M20 A2	Hood revos basic made of aluminum, for double locking lever or screw cap with nozzle M20 on the right side, low version, 10-poles
70.350.1035.3	Hood BAS GOT GA 10 M20 A3	Hood revos basic made of aluminum, for double locking lever or screw cap with trumpet gland M20 on the right side (IP54), low version, 10-poles
70.352.1035.0	Hood BAS GOT GC 10 M20 A0	Hood revos basic made of aluminum, for double locking lever or screw cap with cable gland M20 on the top (IP54), low version, 10-poles
70.352.1035.1	Hood BAS GOT GC 10 M20 A1	Hood revos basic made of aluminum, for double locking lever or screw cap with threaded hole M20 on the top, low version, 10-poles
70.352.1035.2	Hood BAS GOT GC 10 M20 A2	Hood revos basic made of aluminum, for double locking lever or screw cap with nozzle M20 on the top, low version, 10-poles
70.352.1035.3	Hood BAS GOT GC 10 M20 A3	Hood revos basic made of aluminum, for double locking lever or screw cap with trumpet gland M20 on the top (IP54), low version, 10-poles
70.353.1035.0	Hood BAS GOT GA 10 M25 A0	Hood revos basic made of aluminum, for double locking lever or screw cap with cable gland M25 on the right side (IP54), low version, 10-poles
70.353.1035.1	Hood BAS GOT GA 10 M25 A1	Hood revos basic made of aluminum, for double locking lever or screw cap with threaded hole M25 on the right side, low version, 10-poles
70.353.1035.2	Hood BAS GOT GA 10 M25 A2	Hood revos basic made of aluminum, for double locking lever or screw cap with nozzle M25 on the right side, low version, 10-poles
70.353.1035.3	Hood BAS GOT GA 10 M25 A3	Hood revos basic made of aluminum, for double locking lever or screw cap with trumpet gland M25 on the right side (IP54), low version, 10-poles
70.354.1035.0	Hood BAS GOT GC 10 M25 A0	Hood revos basic made of aluminum, for double locking lever or screw cap with cable gland M25 on the top (IP54), low version, 10-poles
70.354.1035.1	Hood BAS GOT GC 10 M25 A1	Hood revos basic made of aluminum, for double locking lever or screw cap with threaded hole M25 on the top, low version, 10-poles
70.354.1035.2	Hood BAS GOT GC 10 M25 A2	Hood revos basic made of aluminum, for double locking lever or screw cap with nozzle M25 on the top, low version, 10-poles
70.354.1035.3	Hood BAS GOT GC 10 M25 A3	Hood revos basic made of aluminum, for double locking lever or screw cap with trumpet gland M25 on the top (IP54), low version, 10-poles

70.355.1035.0	Hood BAS GOT GD 10 M20 A0	Hood revos basic made of aluminum, with double locking lever and cable gland M20 on the right side (IP54), low version, 10-poles
70.355.1035.1	Hood BAS GOT GD 10 M20 A1	Hood revos basic made of aluminum, with double locking lever and threaded hole M20 on the right side, low version, 10-poles
70.355.1035.2	Hood BAS GOT GD 10 M20 A2	Hood revos basic made of aluminum, with double locking lever and nozzleM20 on the right side, low version, 10-poles
70.355.1035.3	Hood BAS GOT GD 10 M20 A3	Hood revos basic made of aluminum, with double locking lever and trumpet gland M20 on the right side (IP54), low version, 10-poles
70.357.1035.0	Hood BAS GOT GF 10 M20 A0	Hood revos basic made of aluminum, with double locking lever and cable gland M20 on the top (IP54), low version, 10-poles
70.357.1035.1	Hood BAS GOT GF 10 M20 A1	Hood revos basic made of aluminum, with double locking lever and threaded hole M20 on the top, low version, 10-poles
70.357.1035.3	Hood BAS GOT GF 10 M20 A3	Hood revos basic made of aluminum, with double locking lever and trumpet gland M20 on the top (IP54), low version, 10-poles
70.358.1035.0	Hood BAS GOT GD 10 M25 A0	Hood revos basic made of aluminum, with double locking lever and cable gland M25 on the right side (IP54), low version, 10-poles
70.358.1035.1	Hood BAS GOT GD 10 M25 A1	Hood revos basic made of aluminum, with double locking lever and threaded hole M25 on the right side, low version, 10-poles
70.358.1035.3	Hood BAS GOT GD 10 M25 A3	Hood revos basic made of aluminum, with double locking lever and trumpet gland M25 on the right side (IP54), low version, 10-poles
70.359.1035.0	Hood BAS GOT GF 10 M25 A0	Hood revos basic made of aluminum, with double locking lever and cable gland M25 on the top (IP54), low version, 10-poles
70.359.1035.1	Hood BAS GOT GF 10 M25 A1	Hood revos basic made of aluminum, with double locking lever and threaded hole M25 on the top, low version, 10-poles
70.359.1035.3	Hood BAS GOT GF 10 M25 A3	Hood revos basic made of aluminum, with double locking lever and trumpet gland M25 on the top (IP54), low version, 10-poles
70.372.1035.0	Hood BAS GOT GK 10 M20 A0	Hood revos basic made of aluminum, with double locking lever and cable gland M20 on the top - free cable connection (IP54), low version, 10-poles
70.372.1035.1	Hood BAS GOT GK 10 M20 A1	Hood revos basic made of aluminum, with double locking lever and threaded hole M20 on the top - free cable connection, low version, 10-poles
70.372.1035.3	Hood BAS GOT GK 10 M20 A3	Hood revos basic made of aluminum, with double locking lever and trumpet gland M20 on the top - free cable connection (IP54), low version, 10-poles
73.350.1035.0	Hood BAS GOT GA 10HM25 50 A0	Hood revos basic made of aluminum, for double locking lever or screw cap with cable gland M25 on the right side (IP54), low version, 10-poles
73.350.1035.1	Hood BAS GOT GA 10HM25 50 A1	Hood revos basic made of aluminum, for double locking lever or screw cap with threaded hole M25 on the right side, low version, 10-poles
73.350.1035.3	Hood BAS GOT GA 10 M20 A3	Hood revos basic made of aluminum, for double locking lever or screw cap with trumpet gland M20 on the right side (IP54), low version, 10-poles
73.351.1035.0	Hood BAS GOT GB 10H M20 A0	Hood revos basic made of aluminum, for double locking lever and cable gland M20 on the front (IP54), low version, 10-poles
73.351.1035.1	Hood BAS GOT GB 10H M20 A1	Hood revos basic made of aluminum, for double locking lever and threaded hole M20 on the front, low version, 10-poles
73.352.1035.0	Hood BAS GOT GC 10HM25 50 A0	Hood revos basic made of aluminum, for double locking lever or screw cap with cable gland M25 on the top (IP54), low version, 10-poles
73.352.1035.1	Hood BAS GOT GC 10HM25 50 A1	Hood revos basic made of aluminum, for double locking lever or screw cap with threaded hole M25 on the top, low version, 10-poles
73.353.1035.0	Hood BAS GOT GA 10HM32 50 A0	Hood revos basic made of aluminum, for double locking lever or screw cap with cable gland M32 on the right side (IP54), low version, 10-poles

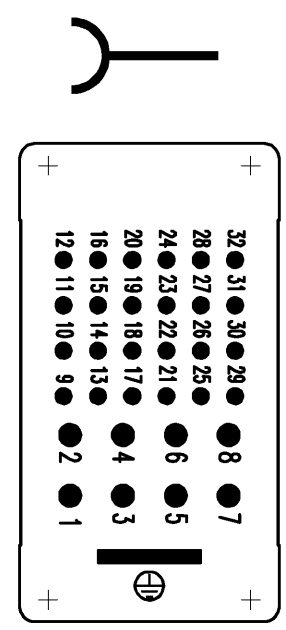
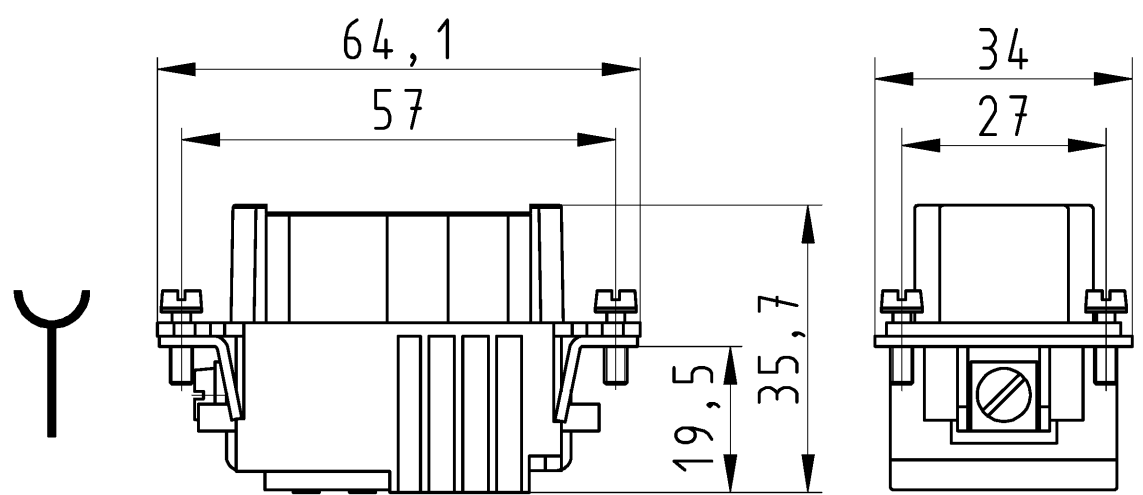
73.353.1035.1	Hood BAS GOT GA 10HM32 50 A1	Hood revos basic made of aluminum, for double locking lever or. screw cap with threaded hole M32 on the right side, low version, 10-poles
73.353.1035.3	Hood BAS GOT GA 10HM32 50 A3	Hood revos basic made of aluminum, for double locking lever or. screw cap with trumpet gland M32 on the right side (IP54), low version, 10-poles
73.354.1035.0	Hood BAS GOT GC 10HM32 50 A0	Hood revos basic made of aluminum, for double locking lever or. screw cap with cable gland M32 on the top (IP54), low version, 10-poles
73.354.1035.1	Hood BAS GOT GC 10HM32 50 A1	Hood revos basic made of aluminum, for double locking lever or. screw cap with threaded hole M32 on the top, low version, 10-poles
70.320.1028.0	Bottom BAS GUT GA 10 A	Bottom-base revos basic made of aluminum, with double locking lever or.screw cap, low version, 10-poles
70.325.1028.0	Bottom BAS GUT GE 10 A	Bottom-base revos basic made of aluminum, for double locking lever and protective cover, open, low version, 10-poles
70.330.1035.0	Bottom BAS GUT GB 10 M20 A0	Bottom-base revos basic made of aluminum, with double locking lever or.screw cap with cable gland M20 on the right and left side (IP54), low version, 10-polig
70.330.1035.1	Bottom BAS GUT GB 10 M20 A1	Bottom-base revos basic made of aluminum, with double locking lever or.screw cap with threaded hole M20 on the right and left side, low version, 10-polig
70.331.1035.0	Bottom BAS GUT GC 10 M20 A0	Bottom-base revos basic made of aluminum, with double locking lever or.screw cap with cable gland M20 on the left side (IP54), low version, 10-polig
70.331.1035.1	Bottom BAS GUT GC 10 M20 A1	Bottom-base revos basic made of aluminum, with double locking lever or.screw cap with threaded hole M20 on the left side, low version, 10-polig
70.333.1035.0	Bottom BAS GUT GD 10 M20 A0	Bottom-base revos basic made of aluminum, with double locking lever or.screw cap with cable gland M20 on the right side (IP54), low version, 10-polig
70.333.1035.1	Bottom BAS GUT GD 10 M20 A1	Bottom-base revos basic made of aluminum, with double locking lever or.screw cap with threaded hole M20 on the right side, low version, 10-polig
70.334.1035.0	Bottom BAS GUT GB 10 M25 A0	Bottom-base revos basic made of aluminum, with double locking lever or.screw cap with cable gland M25 on the right and left side (IP54), low version, 10-polig
70.334.1035.1	Bottom BAS GUT GB 10 M25 A1	Bottom-base revos basic made of aluminum, with double locking lever or.screw cap with threaded hole M25 on the right and left side, low version, 10-polig
70.335.1035.0	Bottom BAS GUT GC 10 M25 50 A0	Bottom-base revos basic made of aluminum, with double locking lever or.screw cap with cable gland M25 on the left side (IP54), low version, 10-polig
70.335.1035.1	Bottom BAS GUT GC 10 M25 A1	Bottom-base revos basic made of aluminum, with double locking lever or.screw cap with threaded hole M25 on the left side, low version, 10-polig
70.337.1035.1	Bottom BAS GUT GD 10 M25 A1	Bottom-base revos basic made of aluminum, with double locking lever or.screw cap with threaded hole M25 on the right side, low version, 10-polig
70.340.1035.0	Bottom BAS GUT GF 10 M20 A0	Bottom-base revos basic made of aluminum, for double locking lever withcable gland M20 on the left and right side, with protective cover (IP54), low version, 10-polig
70.340.1035.1	Bottom BAS GUT GF 10 M20 A1	Bottom-base revos basic made of aluminum, for double locking lever withthreaded hole M20 on the left and right side, with protective cover, low version, 10-polig
70.341.1035.0	Bottom BAS GUT GG 10 M20 A0	Bottom-base revos basic made of aluminum, with double locking lever andcable gland M20 on the left side, with protective cover (IP54), low version, 10-polig

70.341.1035.1	Bottom BAS GUT GG 10 M20 A1	Bottom-base revos basic made of aluminum, with double locking lever and threaded hole M20 on the left side, with protective cover, low version, 10-polig
70.342.1035.0	Bottom BAS GUT GH 10 M20 A0	Bottom-base revos basic made of aluminum, with double locking lever and cable gland M20 on the right side, with protective cover (IP54), low version, 10-polig
70.342.1035.1	Bottom BAS GUT GH 10 M20 A1	Bottom-base revos basic made of aluminum, with double locking lever and threaded hole M20 on the right side, with protective cover, low version, 10-polig
70.343.1035.0	Bottom BAS GUT GI 10 M20 A0	Bottom-base revos basic made of aluminum, with double locking lever and cable gland M20 on the bottom, with protective cover (IP54), low version, 10-polig
70.343.1035.1	Bottom BAS GUT GI 10 M20 A1	Bottom-base revos basic made of aluminum, with double locking lever and threaded hole M20 on the bottom, with protective cover, low version, 10-polig
70.344.1035.1	Bottom BAS GUT GB 10 M25 A	Bottom-base revos basic made of aluminum, with protective cover and cable glands on the right and left side (IP54), low version, 10-poles
73.330.1035.0	Bottom BAS GUT GB 10HM25 50 A0	Bottom-base revos basic made of aluminum, with double locking lever or screw cap with cable gland M25 on the right and left side (IP54), low version, 10-polig
73.330.1035.1	Bottom BAS GUT GB 10HM25 50 A1	Bottom-base revos basic made of aluminum, with double locking lever or screw cap with threaded hole M25 on the right and left side, low version, 10-polig
73.331.1035.0	Bottom BAS GUT GC 10HM25 50 A0	Bottom-base revos basic made of aluminum, with double locking lever or screw cap with cable gland M25 on the left side (IP54), low version, 10-polig
73.331.1035.1	Bottom BAS GUT GC 10HM25 50 A1	Bottom-base revos basic made of aluminum, with double locking lever or screw cap with threaded hole M25 on the left side, low version, 10-polig
73.334.1035.0	Bottom BAS GUT GB 10HM32 50 A0	Bottom-base revos basic made of aluminum, with double locking lever or screw cap with cable gland M32 on the right and left side (IP54), low version, 10-polig
73.334.1035.1	Bottom BAS GUT GB 10HM32 50 A1	Bottom-base revos basic made of aluminum, with double locking lever or screw cap with threaded hole M32 on the right and left side, low version, 10-polig
73.335.1035.0	Bottom BAS GUT GC 10HM32 50 A0	Bottom-base revos basic made of aluminum, with double locking lever or screw cap with cable gland M32 on the left side (IP54), low version, 10-polig
73.335.1035.1	Bottom BAS GUT GC 10HM32 50 A1	Bottom-base revos basic made of aluminum, with double locking lever or screw cap with threaded hole M32 on the left side, low version, 10-polig
73.340.1035.0	Bottom BAS GUT GF 10HM25 50 A0	Bottom-base revos basic made of aluminum, for double locking lever with cable gland M25 on the left and right side, with protective cover (IP54), low version, 10-polig
73.340.1035.1	Bottom BAS GUT GF 10HM25 50 A1	Bottom-base revos basic made of aluminum, for double locking lever with threaded hole M25 on the left and right side, with protective cover, low version, 10-polig
73.341.1035.1	Bottom BAS GUT GG 10HM25 50 A1	Bottom-base revos basic made of aluminum, with double locking lever and threaded hole M25 on the left side, with protective cover, low version, 10-polig
73.342.1035.1	Bottom BAS GUT GH 10HM25 50 A1	Bottom-base revos basic made of aluminum, with double locking lever and threaded hole M25 on the right side, with protective cover, low version, 10-polig
73.344.1035.1	Bottom BAS GUT GF 10HM32 50 A1	Bottom-base revos basic made of aluminum, for double locking lever with threaded hole M32 on the left and right side, with protective cover, low version, 10-polig

73.345.1035.0	Bottom BAS GUT GG 10HM32 50 A0	Bottom-base revos basic made of aluminum, with double locking lever and cable gland M32 on the left side, with protective cover (IP54), low version, 10-polig
73.345.1035.1	Bottom BAS GUT GG 10HM32 50 A1	Bottom-base revos basic made of aluminum, with double locking lever and threaded hole M32 on the left side, with protective cover, low version, 10-polig
72.713.3253.0	Male insert POW STC 8/24 AF	

These dimensions will be especially checked at delivery
 Only inspection dimensions
 With /E marked dimensions are only valid for internal use

Diese Maße werden bei Abnahme besonders geprüft
 Ausschließlich Prüfmaße
 Mit /E gekennzeichnete Maße sind nur für interne Zwecke gültig



72.203.3253.0	POW BUC 8/24 AF
Bestellnummer /Order number	Typ /Type

Weitere Daten siehe KATALOG oder eKatalog. www.wieland-electric.com
 Additional data see CATALOG or eCatalog. eshop.wieland-electric.com

Tolerierung Size ISO 14405(☉)/Tolerance system Size ISO 14405(☉). (This ISO-standard describes the envelope principle. According to the envelope principle the deviations of form and parallelism are limited by the size tolerances).		ja/yes <input checked="" type="checkbox"/> Stoffverbots- und Deklarationsliste nach WN 5020.010 ist einzuhalten. Conformity with Wieland document WN 5020.010 e (list of prohibited / declarable hazardous substances) to be declared!	
Freitoleranz nach DIN ISO 2768 - m General tolerance		CAD - Zeichnung, keine manuellen Änderungen CAD - drawing, no manual modifications allowed	1.Verwendung: - First Use:
/		Werkstoff/Material	2013 Tag/Date Name
/		Maßstab/Scale	gezeichnet drawn 06.02. Treschan
/ 2:1		geprüft checked	- -
/ Vol. mm ³ Ofl./Surf. mm ²		Normgepr. Stand. check	- -
/		Ersatz für/Replacement for: -	
/		Type	Benennung/Title
/		POW BUC	BUCHSENE INSATZ
Index Datum / Blatt Date / Sheet		8/24 Crimpanschluss female insert, 8/24 crimp connection	
Änderung/Revision		www.wieland-electric.com	

Weitergabe sowie Vervielfältigung dieses Dokuments, Verwertung und Mitteilung seines Inhalts sind verboten, soweit nicht ausdrücklich gestattet.
 The reproduction, distribution and utilization of this document as well as the communication of its contents to others without express authorization is prohibited.