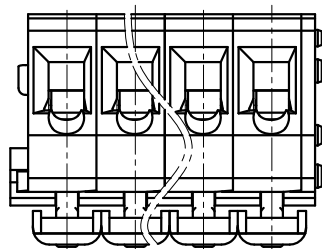
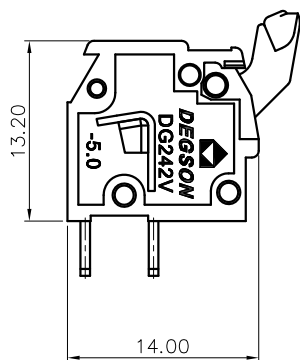


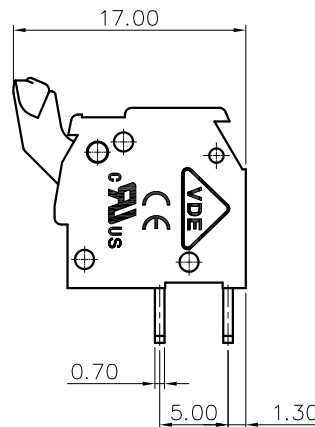
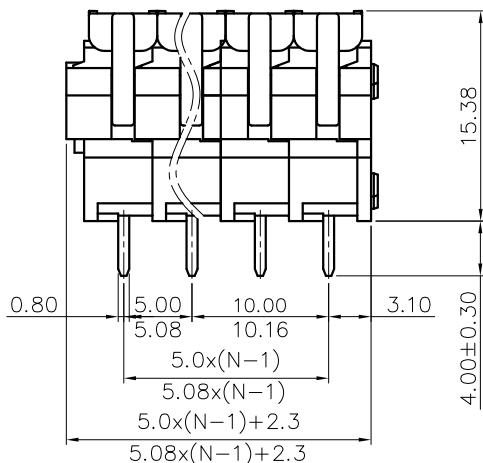
REVISION RECORD				
REV	ECN	DESCRIPTION	DRFT	DATE



NOTES1:
 UL Standard
 1.Rated voltage/current : 300V / 15A
 3.Wire range : 28~12AWG
 IEC Standard
 1.Rated voltage/current : 450V / 17A
 3.Wire range : 0.2~0.5mm²



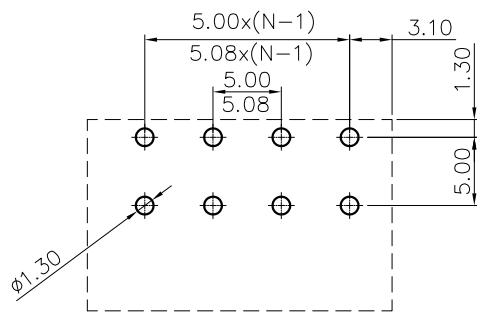
NOTES2:
 1.Dimension shall be interpreted per ASME Y14.5-2009
 2.Pitch : 5.00/5.08mm, Poles : N=01~XXP
 3.Stripping length : 5~6mm
 4.Withstanding voltage : AC2500V/1Min
 5.Operating temperature: -40°C~+105°C
 6.Undimensioned tolerances:



Pitch Range In mm		Nominal Dimension Range In mm					-	∩	∇
TO	6 TO	Over 6 TO	Over 10 TO	Over 30 TO	Over 60 TO	Over 100 TO	Over 150 TO	0.1/10	
6	10	10	24	30	60	100	150	∠	
±0.15	±0.20	±0.30	±0.30	±0.50	±0.70	±1.00	±1.30	±2*	

7.RoHS Compliance

DG242V - 5.0/5.08 - XXP - 1Y - 00A (H)
 (Series No.) (Pitch) (Poles) (Single Pitch) (Color) : 1.(Grey)
 2.(Blue)
 3.(Black)
 4.(Green)
 5.(Orange)
 6.(Red)
 7.(Transparent)
 8.(Yellow)
 9.(White)



PCB_LAYOUT

DETACHED LISTS	PART NO.:	宁波高松电子有限公司 NINGBO DEGSON ELECTRICAL CO., LTD			
	APPD:	NAME: DG242V-5.0/5.08-XXP-1Y-00A(H)			
	CHKD:	TITLE: CUSTOMER DRAWING		REV	DO
	DRFT:	DRAWING NO.:		SHEET	1/1
THIRD ANGLE PROJECTION		MM (INCH)	DO NOT SCALE DRAWING	SCALE	1:1