

R19 : 6A 250V AC.
12A 125V AC.
16A 250V AC.
21A 125V AC.

SS21: 12A 125/250V AC. (CSA)
10A 125/250V AC. (UL)
12(4)A 250V~T85. (VDE, ENEC10)

SPECIFICATION

Rating : 6A 250V AC, 12A 250V AC.
Contact resistance : <20mΩ.(initial)
Insulation resistance : >1,000MΩ.
Withstand voltage : >1,500V DC for 1 minute.
Mechanical life : >30,000 Cycles.
Electrical life : >10,000 Cycles.



R19 SEAL CAP



R19-20RL
SS21BBDRL



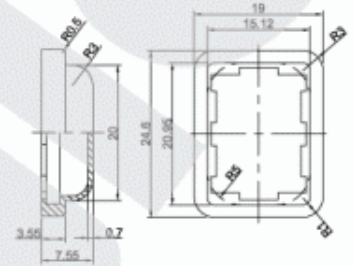
R19-20I
Illuminated



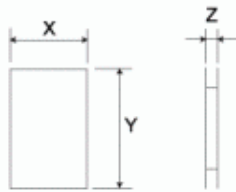
R19-20
SS21BBBT

MATERIAL

Body : Nylon 66.
Rocker : PC or Nylon.
Contact : Silver alloy.
Illuminated rocker : 125/250V Neon Lamp,
24V 12V Bulb.
Terminal : Brass, Silver plated.



MOUNTING HOLE

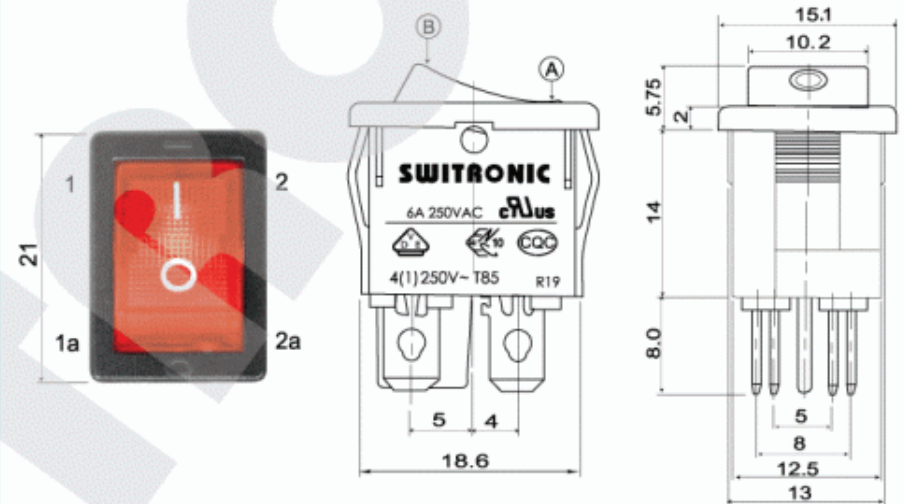


Z	X	Y
0.70 ~ 1.25	12.9 ~ 13.1	19.2 ~ 19.3
1.25 ~ 2.00	12.9 ~ 13.1	19.3 ~ 19.4
2.00 ~ 3.00	12.9 ~ 13.1	19.5 ~ 19.6

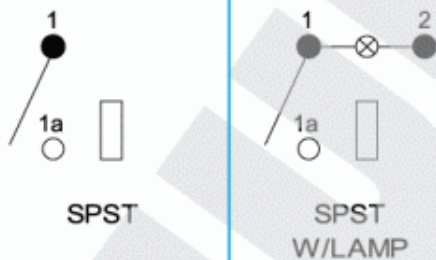
R19-20BBBT (6A 250V / 12A 125V AC DPST)

R19-20IBRBT2 (W / RED LAMP, 6A 250V / 12A 125V AC, DPST)

SS21BBBT (12A 250V AC, DPST)

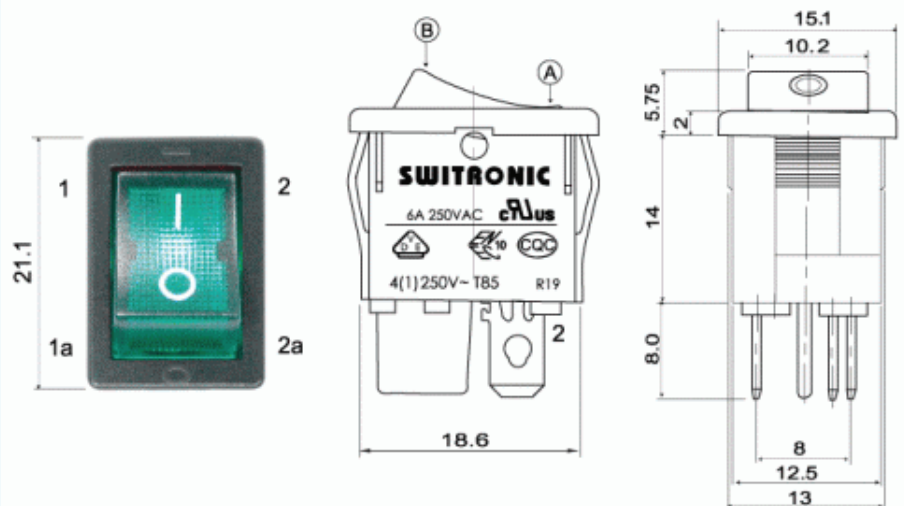
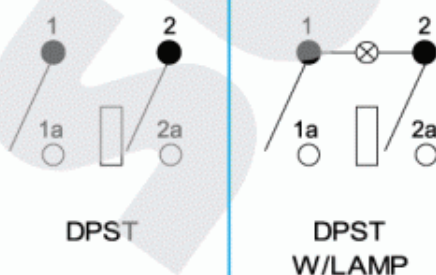


SCHEMATIC



R19-00IBGNBT2 (6A 250V / 12A 125V AC, W / GREEN LAMP, SPST)

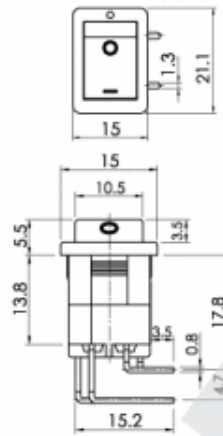
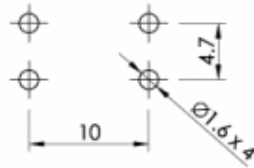
SS21BBBTs (12A 250V AC, SPST)



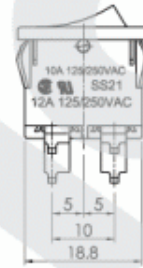
SPST : R19-00BBDR (6A 250V AC)
 SS21BBDR (12A 250V AC)
 DPST : R19-20BBDR (6A 250V AC)
 SS21BBDR (12A 250V AC)



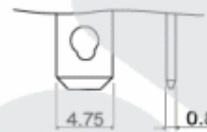
R19-20RL
 SS21BBDR



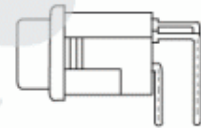
ANGLE TYPE



TERMINAL TYPE



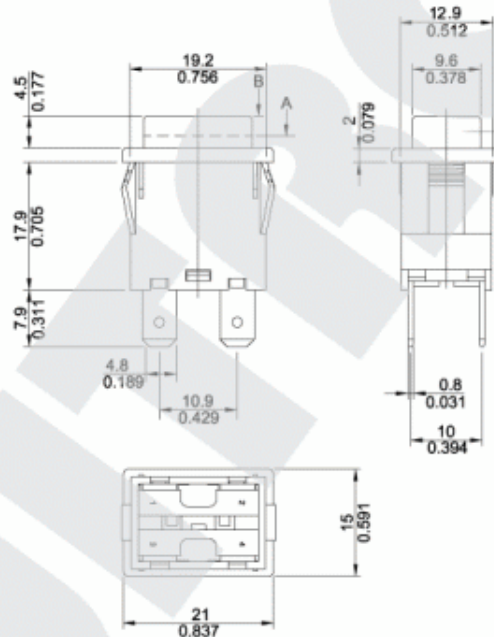
T TYPE



RR (Right angle)
 RL (Left angle)

FUNCTION	MODEL NO.	OPTION OF TERMINAL			
		S	T	P	R
SPST ON OFF	R19-00, R19-08 SS21		✓		✓
SPST W/LAMP ON OFF	R19-00I		✓		✓
DPST ON OFF	R19-20, R19-28 SS21		✓		✓
DPST W/LAMP ON OFF	R19-20I		✓		✓

LC-8308



MODEL NO.	TYPE	
LC-8301	SPST OFF ON	
LC-8302	SPST OFF (ON)	
LC-8303	SPST OFF ON	W/ LAMP
LC-8304	SPST OFF (ON)	W/ LAMP
LC-8305	DPST OFF ON	
LC-8306	DPST OFF (ON)	
LC-8307	DPST OFF ON	W/ LAMP
LC-8308	DPST OFF (ON)	W/ LAMP

Flammability: UL-94V-2
Material of housing: PA66 Max.
Material of Button: PC
Contacts: Silver alloy
Terminal: Copper Silver plated

Electrical rating: 16A 125V / 250V AC (UL) 10(4)A 250V AC (VDE)
Mechanical life: > 30,000 Cycles
Electrical life: > 10,000 Cycles
Contact resistance: <20mΩ
Insulation resistance: >1,000MΩ (500V DC between the open contacts)
Withstand voltage : >1,500V DC for 1 minute.

HOW TO ORDER

MODEL NO.	+	HOUSING COLOR	+	ROCKER COLOR	OR	LAMP COLOR	+	MARKING	+	TERMINAL TYPE	+	LAMP VOLTAGE
R19-00 : SPST, 6A 250V AC. 12A 125V AC.		B : BLACK W : WHITE G : GRAY		B : BLACK W : WHITE G : GRAY R : RED Y : YELLOW GN: GREEN		R : RED Y : YELLOW GN: GREEN				T RR RL		
R19-08 : SPST, 16A 250V AC. 21A 125V AC.												
R19-20 : DPST, 6A 250V AC. 12A 125V AC.												
R19-28 : DPST, 16A 250V AC. 21A 125V AC.												
SS21 : 12A 125V / 250V AC.												
R19-00I(W/LAMP) : SPST, 6A 250V AC. 12A 125V AC.												
R19-20I(W/LAMP) : DPST, 6A 250V AC. 12A 125V AC.												

R19A Series Rocker Switches



R19A-12BBBT



R19A-02I
W/LED



R19A-32BBERR

SPECIFICATION

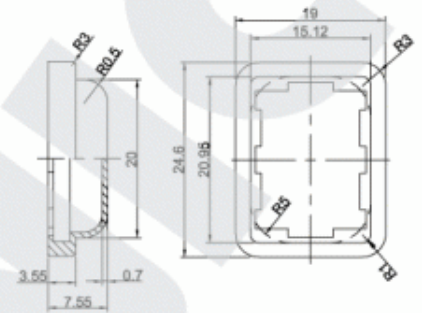
Rating	: 6A 250V AC, 10A 250V AC.
Contact resistance	: <20mΩ.(initial)
Insulation resistance	: >1,000MΩ.
Withstand voltage	: >1,500V DC for 1 minute.
Mechanical life	: >30,000 Cycles.
Electrical life	: >10,000 Cycles.



R19 SEAL CAP

MATERIAL

Body	: Nylon 66.
Rocker	: PC or Nylon.
Contact	: Silver alloy.
Illuminated	: LED.
Terminal	: Brass, Silver plated.



R19A-12BBOTP
Paddle

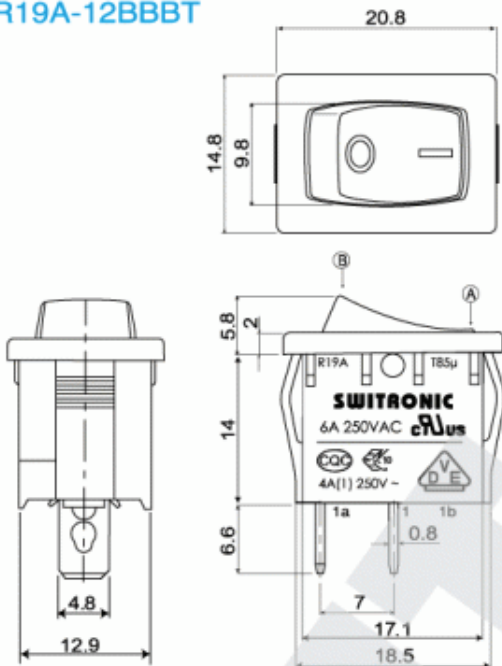


R19A-12BBAW

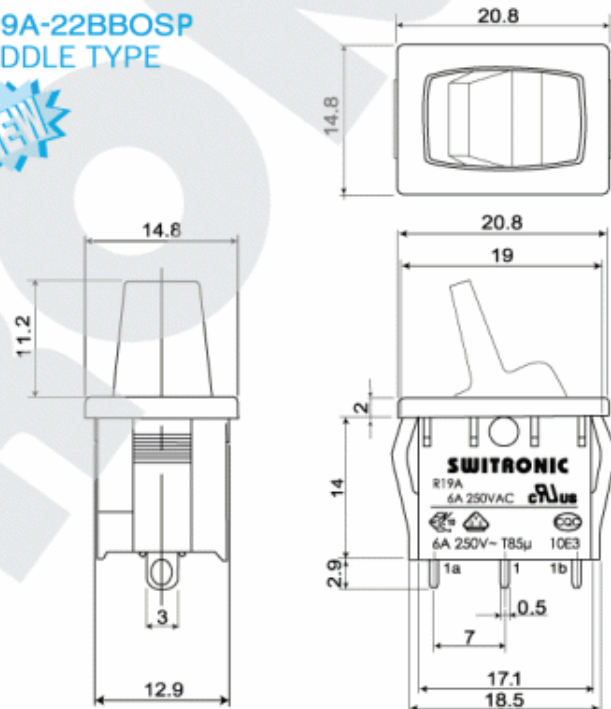


R19A-32GWET

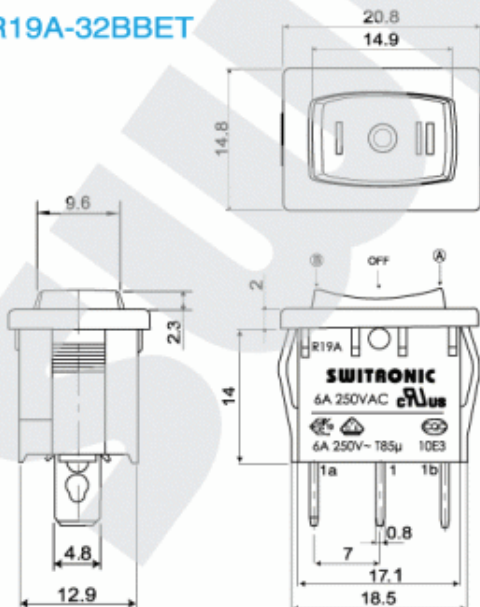
R19A-12BBBT



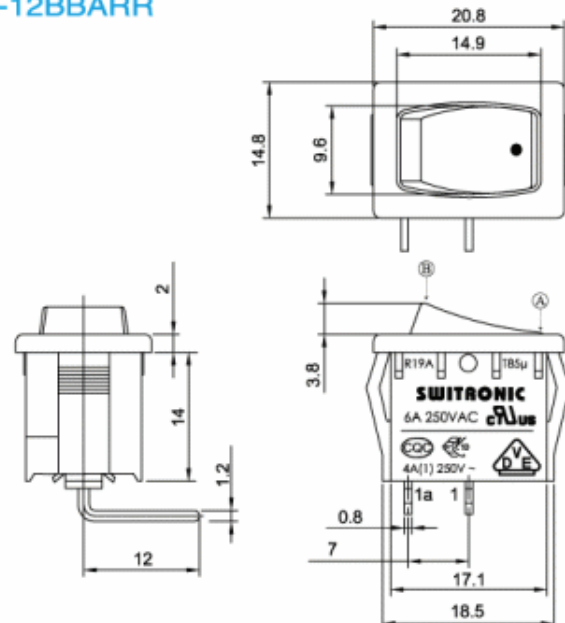
R19A-22BBOSP PADDLE TYPE



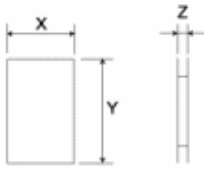
R19A-32BBET



R19A-12BBARR

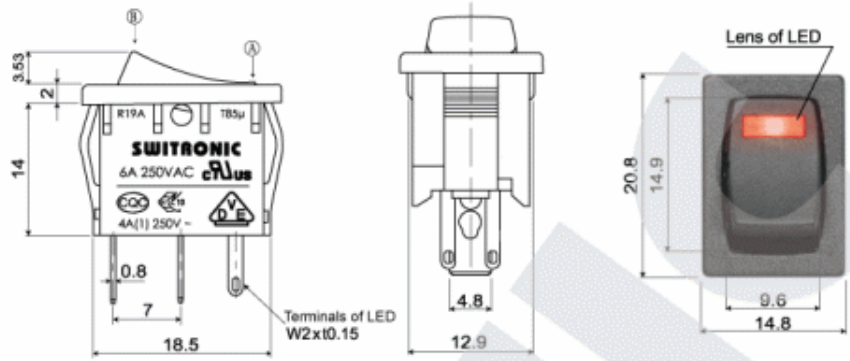


MOUNTING HOLE

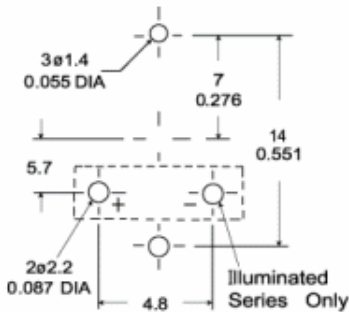


Z	X	Y
0.70 ~ 1.25	12.9 ~ 13.1	19.2 ~ 19.3
1.25 ~ 2.00	12.9 ~ 13.1	19.3 ~ 19.4
2.00 ~ 3.00	12.9 ~ 13.1	19.5 ~ 19.6

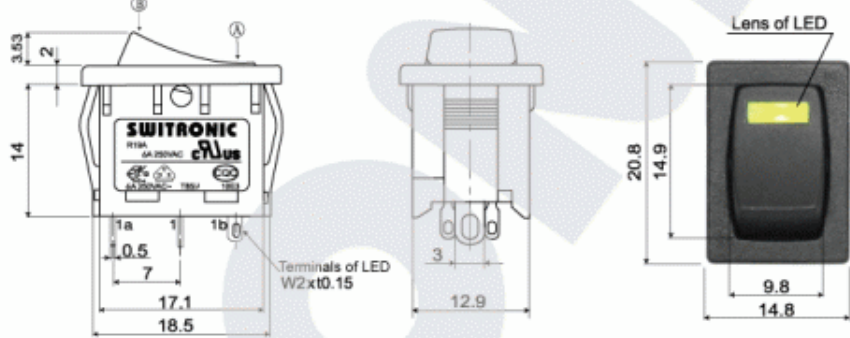
R19A-02IBBOTR (6A 250V AC), W/RED LED



P.C.B. LAYOUT



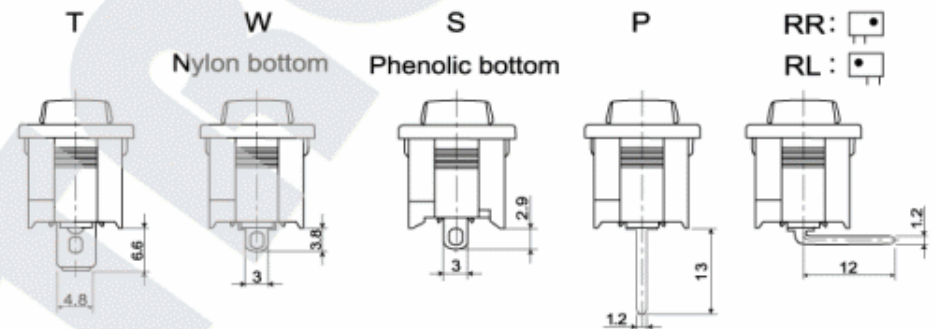
R19A-02IBBOSG (6A 250V AC), W/GREEN LED



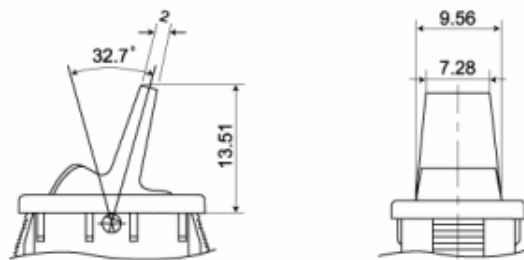
() MOMENTARY

FUNCTION	MODEL NO.	6A	10A
ON OFF LED Illuminated	R19A-0	2I	5I
ON OFF SPST	R19A-1	2	5
ON ON SPDT	R19A-2	2	5
ON OFF ON SPDT	R19A-3	2	5
ON (ON) SPDT	R19A-4	2	5
OFF (ON) SPST	R19A-5	2	5
(ON) OFF (ON) SPDT	R19A-6	2	5
ON (OFF) SPST	R19A-7	2	5
ON OFF (ON) SPDT	R19A-8	2	5

TERMINAL TYPE



PADDLE TYPE



HOW TO ORDER

R19A-0 2I B B O S R

MODEL NO.	RATING	HOUSING COLOR	ROCKER COLOR	MARKING	TERMINAL TYPE	LED OR PADDLE COLOR OR TYPE
R19A-0	2 : 6A 5 : 10A	B : BLACK W : WHITE G : GRAY	B : BLACK W : WHITE G : GRAY R : RED Y : YELLOW GN : GREEN		T W S P RR RL	□ : NORMAL P : PADDLE TYPE * FOR R19A-0 W/LED ONLY R : RED LED Y : YELLOW LED G : GREEN LED
R19A-8	2I : 6A (W/LED) 5I : 10A (W/LED)					

R Series Rocker Switches

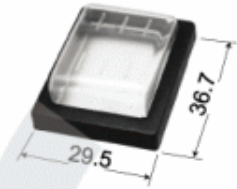


SPECIFICATION

Rating : 3A 250V AC, 6A 125/250V AC.
 10A 125/250V AC, 16A 250V AC, 20A 125V AC.
 Contact resistance : <20mΩ.(initial)
 Insulation resistance : >1,000MΩ.
 Withstand voltage : >1,500V DC for 1 minute.
 Mechanical life : 30,000 Cycles.
 Electrical life : 10,000 Cycles.

MATERIAL

Rocker / Housing : PA66.
 Spring : SWP.
 Movable arm : Brass.
 Actuable arm : PA66.
 Contact : Silver alloy.
 Terminal : Brass.
 Illuminated : Lamp.

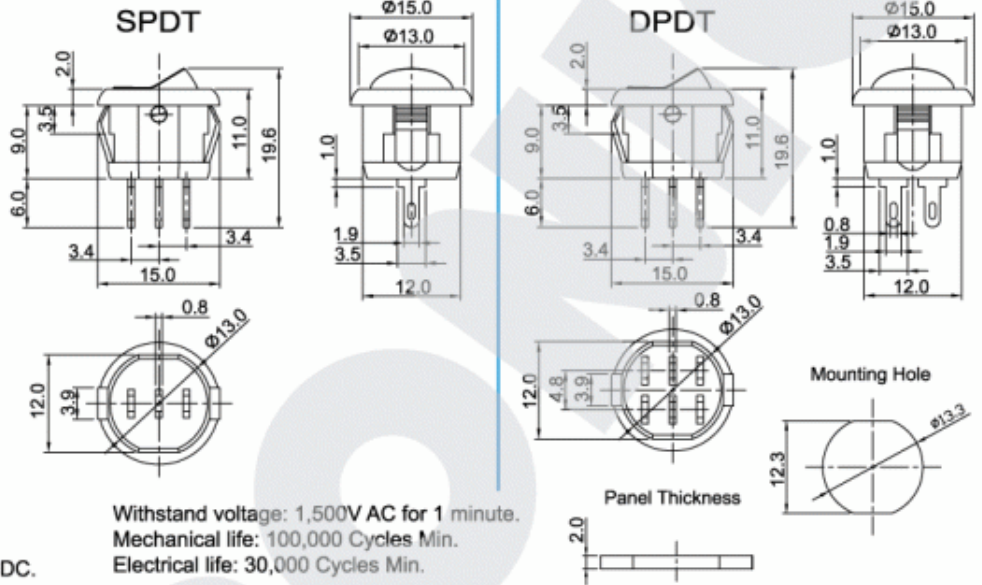


R5 SEAL CAP



MR13

MODEL NO.	TYPE
MR13-1BBAS-G	SPST ON - OFF
MR13-2BBAS-G	SPDT ON - ON
MR13-3BBAS-G	DPST ON - OFF
MR13-4BBAS-G	DPDT ON - ON



Rating: 3A 125V AC/ 1.5A 250V AC.
 Contact resistance: 20mΩ Max.(initial)
 Insulation resistance: 50MΩ Min. at 500V DC.

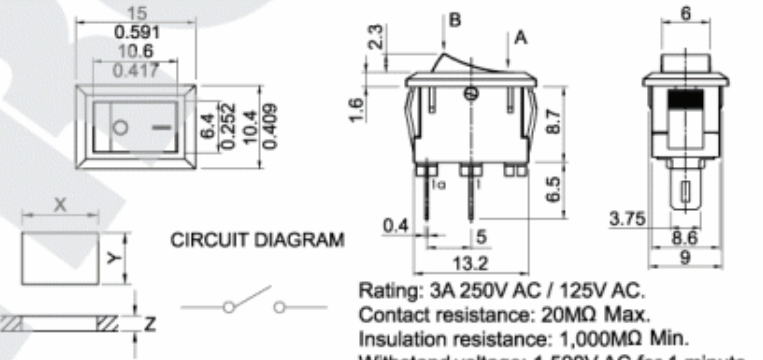
Withstand voltage: 1,500V AC for 1 minute.
 Mechanical life: 100,000 Cycles Min.
 Electrical life: 30,000 Cycles Min.



MRA1

MODEL NO.	TYPE
MRA1	SPST ON - OFF

PANEL CUT - OUT		
Z	Y	X
0.75 - 1.25	9.10 - 9.20	13.60 - 13.80
1.25 - 2.00	9.10 - 9.20	13.80 - 14.00
2.00 - 3.00	9.10 - 9.20	14.00 - 14.10



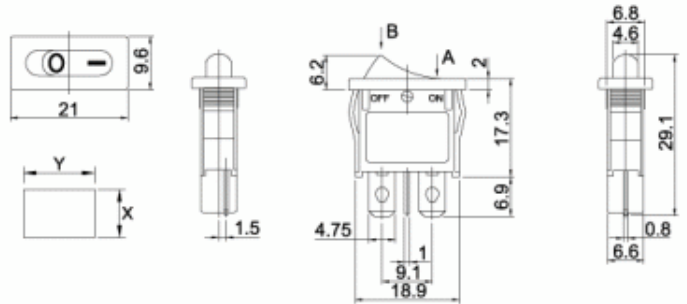
Rating: 3A 250V AC / 125V AC.
 Contact resistance: 20MΩ Max.
 Insulation resistance: 1,000MΩ Min.
 Withstand voltage: 1,500V AC for 1 minute.



6A 250V AC

MODEL NO.	TYPE
R612	SPST OFF ON
R652	SPST OFF (ON)

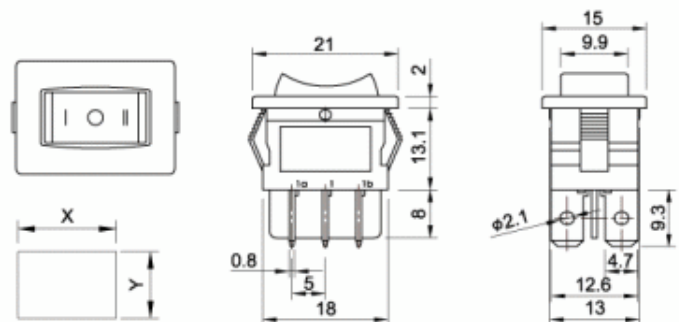
MOUNTING HOLE		
PANEL THICKNESS	X	Y
0.7 - 3	6.95 - 7.05	19.2 - 19.4



RL3-1023

MODEL NO.	TYPE
RL3-1021	DPST ON OFF
RL3-1022	DPDT ON ON
RL3-1023	DPDT ON OFF ON
RL3-1024	DPDT (ON) OFF ON

PANEL THICKNESS	X	Y
0.75 - 1.25	19.2	13.0
1.25 - 2.00	19.4	13.0
2.00 - 3.00	19.6	13.0

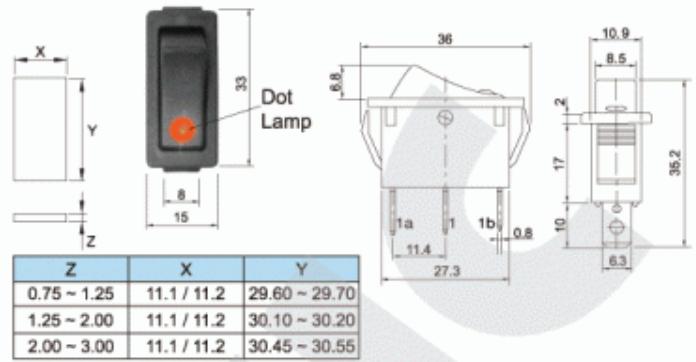


R4 series



16A 250V AC
20A 125V AC

MODEL NO.	TYPE			
R415	SPST	ON	OFF	
R425	SPDT	ON	ON	
R435	SPDT	ON	OFF	ON
R445	SPDT	ON	(ON)	
R455	SPST	OFF	(ON)	
R465	SPDT	(ON)	OFF	(ON)
R475	SPST	ON	(OFF)	
R485	SPDT	ON	OFF	(ON)
R495□□□T□□	SPST	Dot Illuminated		
R495□□□E□□	SPST	Full Rocker Illuminated		

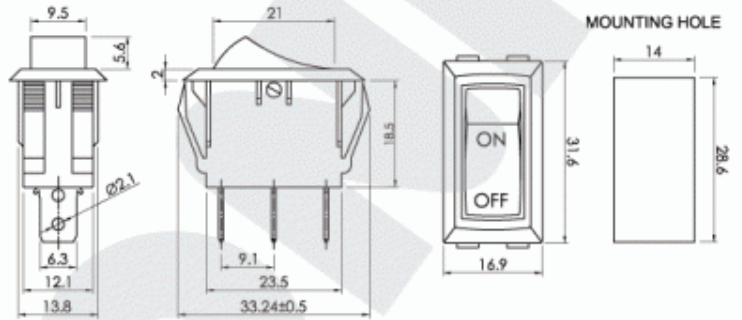


RL1-5 Series



15A 125V AC
7.5A 250V AC

MODEL NO.	TYPE		
RL1-5A	SPST	ON	OFF
RL1-5B	SPDT	ON	ON
RL1-5C	SPDT	ON	OFF ON
RL1-5D	SPST (ON)	OFF	
RL1-5E	SPST	ON	(OFF)
RL1-5F	SPDT (ON)	ON	
RL1-5H	SPDT (ON)	OFF	ON
RL1-5L	SPST	Illuminated	

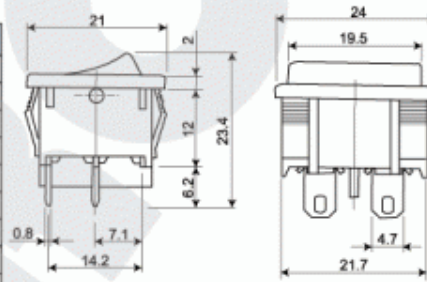


RS-606P Series



RS-606P: 6A 250V AC
※ SS24: 16A 250V AC

MODEL NO.	TYPE		
RS-606PA	DPST	ON	OFF
RS-606PB	DPDT	ON	ON
RS-606PC	DPDT	ON	OFF ON
RS-606PD	DPST (ON)	OFF	
RS-606PE	DPST	ON	(OFF)
RS-606PF	DPDT (ON)	ON	
RS-606PAL	DPST	Illuminated	
R13-33H	DPDT	ON	OFF (ON)
R13-33I	DPDT (ON)	OFF	(ON)



606P SEAL CAP



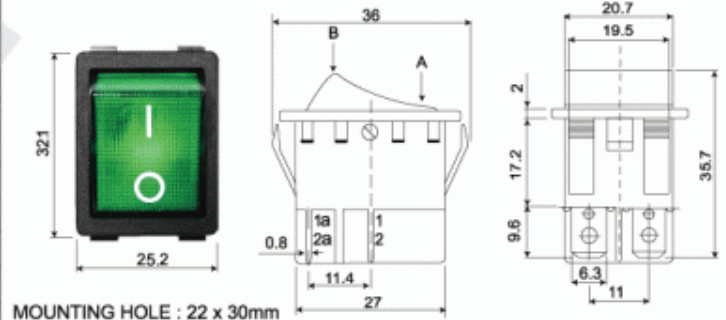
R5 series



Standard:
16A 250V AC
20A 125V AC

High Rating:
R519, R599
25A 250V AC

MODEL NO.	TYPE		
R515	DPST	ON	OFF
R519	DPST	ON	OFF (25A 250V AC)
R525	DPDT	ON	ON
R535	DPDT	ON	OFF ON
R545	DPDT	ON	(ON)
R555	DPST	OFF	(ON)
R565	DPDT (ON)	OFF	(ON)
R575	DPST	ON	(OFF)
R585	DPDT	ON	OFF (ON)
R595	DPST	Illuminated	
R599	DPST	Illuminated (25A 250V AC)	



HOW TO ORDER

MODEL NO.	+	HOUSING COLOR	+	ROCKER COLOR	or	LAMP COLOR	+	MARKING	+	TERMINAL TYPE	+	LAMP VOLTAGE	+	LAMP COLOR
		B : BLACK W : WHITE G : GRAY		B : BLACK W : WHITE G : GRAY R : RED Y : YELLOW GN : GREEN		R : RED Y : YELLOW GN : GREEN		O A B C D E F G H		T S		□ : NO LAMP 1 : 125V AC 2 : 250V AC 3 : 12V DC 4 : 24V DC		※ For R495□□□T□□ Dot Illuminated only R : RED Y : YELLOW GN : GREEN

(For RS-606P & RL1-5 Series Only)

RL3-5ABBAT



RL3-5CBBET



RL3-5LBGNBT

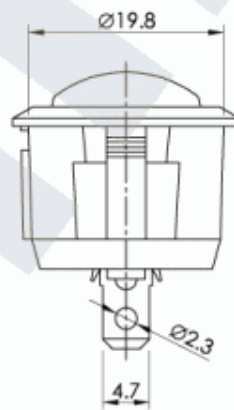
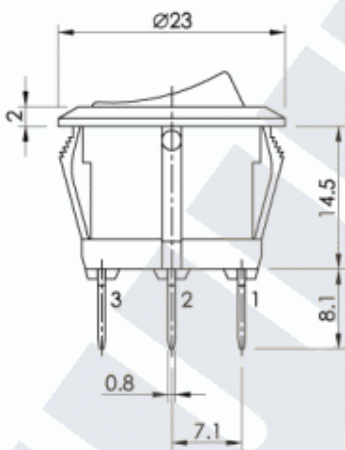
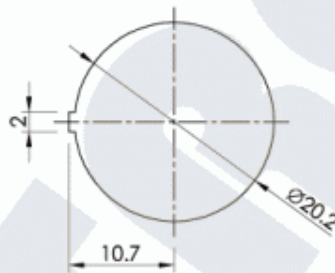
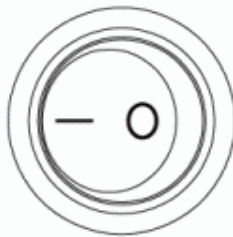


RL3-5MBBOTR



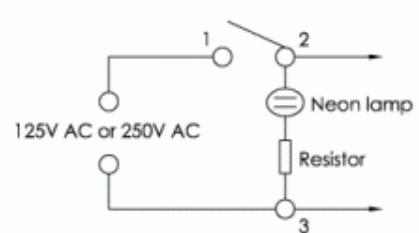
FUNCTION	
RL3-5A	 ON 2P SPST OFF
RL3-5B	 ON 3P SPDT ON
RL3-5C	 ON 3P SPDT OFF ON
RL3-5D	 (ON) 2P SPST OFF
RL3-5F	 ON 3P SPDT (ON)
RL3-5H	 (ON) OFF SPDT ON
RL3-5L	 ON SPST OFF (NEON OR TUNGSTEN LAMP)
RL3-5M	 ON SPST OFF (DOT ILLUMINATED)

MOUNTING HOLE



Rating : H : 10A 125V AC / 6A 250V AC
 T : 16A 125V AC / 10A 250V AC
 Insulation resistance : 100MΩ Min. at 500V DC
 Contact resistance : 20mΩ Max.
 Withstand voltage : 1,500V AC for 1 minute

CIRCUIT OF SWITCH



HOW TO ORDER

MODEL NO.	HOUSING COLOR	ROCKER COLOR	LAMP COLOR	MARKING	TERMINAL TYPE	LAMP COLOR	LAMP VOLTAGE	RATING
RL3-5A RL3-5B RL3-5C RL3-5D RL3-5H RL3-5L RL3-5M	B : BLACK W : WHITE G : GRAY	B : BLACK W : WHITE G : GRAY R : RED Y : YELLOW GN : GREEN	R : RED Y : YELLOW GN : GREEN		T	For RL3-5M□□□□ R : RED Y : YELLOW GN : GREEN	□ : NO LAMP 1 : 125V AC 2 : 250V AC 3 : 12V DC 4 : 24V DC	H : 10A 125V AC 6A 250V AC T : 16A 125V AC 10A 250V AC

RC15BBAT



RC35BBET



RC95BYBT2



RC95BBOTGN5



LED

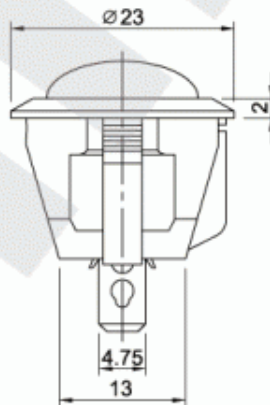
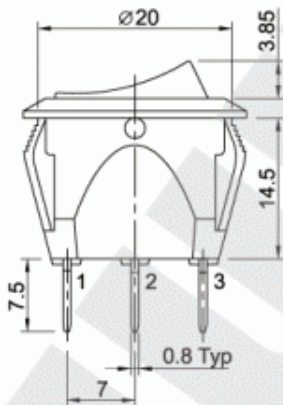
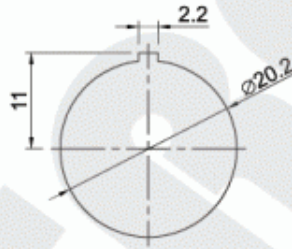
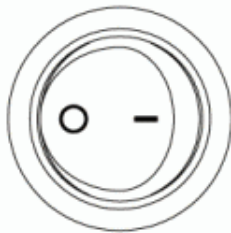
W/LED

FUNCTION

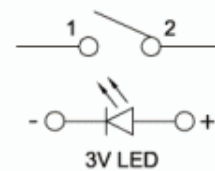
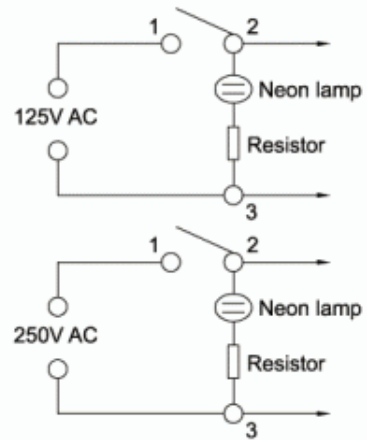


Rating : 15A 125V AC / 10A 250V AC
 Insulation resistance : >1,000MΩ
 Contact resistance : <20mΩ (initial)
 Withstand voltage : 1,500V AC for 1 minute

MOUNTING HOLE



CIRCUIT OF SWITCH



HOW TO ORDER

MODEL NO.	HOUSING COLOR	ROCKER COLOR	LAMP COLOR	MARKING	TERMINAL TYPE	LED COLOR	LAMP OR LED VOLTAGE
RC15 RC25 RC35 RC95	B : BLACK W : WHITE G : GRAY	B : BLACK W : WHITE G : GRAY R : RED Y : YELLOW GN : GREEN	FOR NEON LAMP R : RED Y : YELLOW GN : GREEN		T	<input type="checkbox"/> : NO WINDOW R : RED Y : YELLOW GN : GREEN	<input type="checkbox"/> : NO LAMP 1 : 125V AC NEON 2 : 250V AC NEON 5 : 3V DC LED

R13-112B



R13-112B2



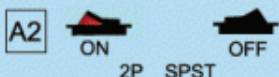
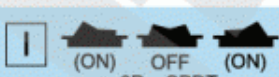
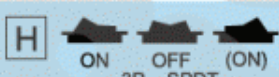
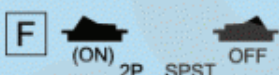
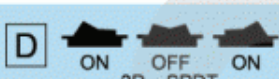
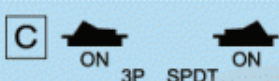
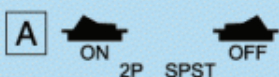
R13-135B



R13-135B2



FUNCTION



R13-135L



R13-135LP



R13-112L



R13-112LP



R13-112BP



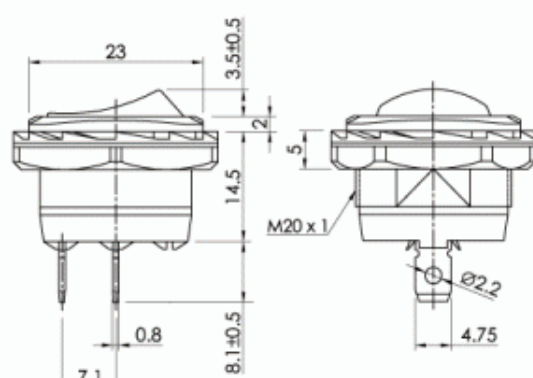
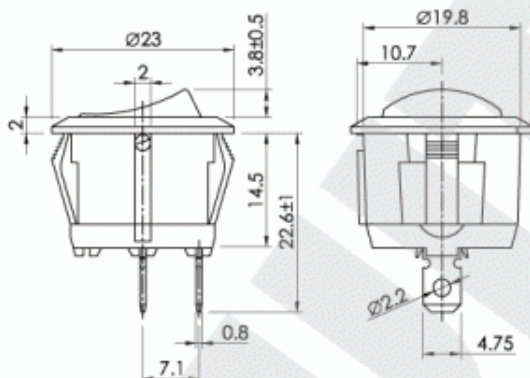
R13-112A2



R13-135BP

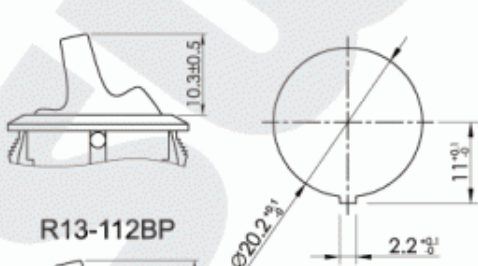


R13-135A2



R13-112LP

MOUNTING HOLE

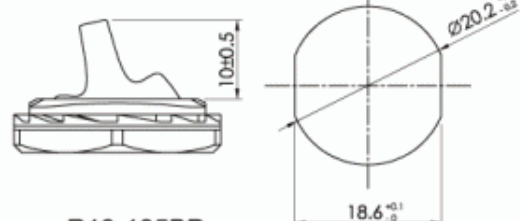


R13-112BP

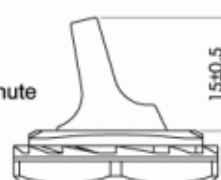


MOUNTING HOLE

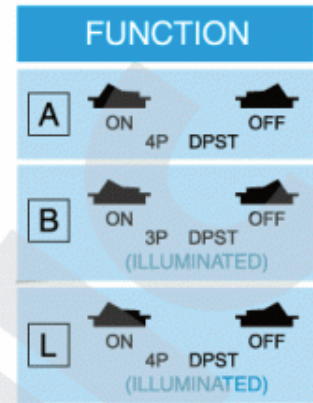
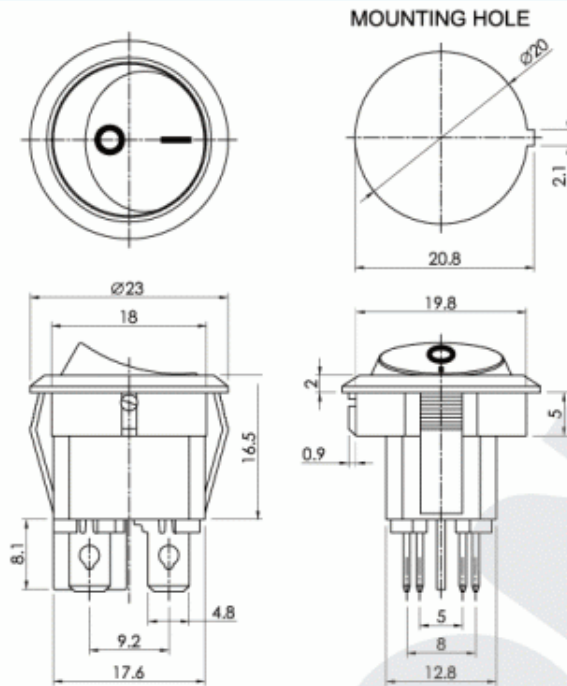
R13-135LP



R13-135BP



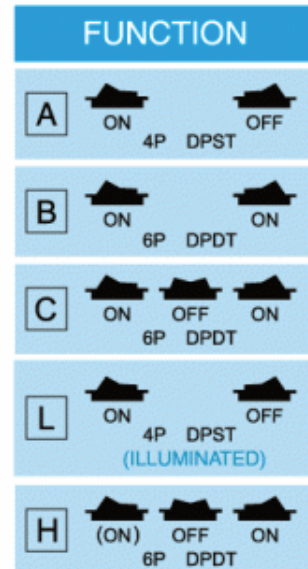
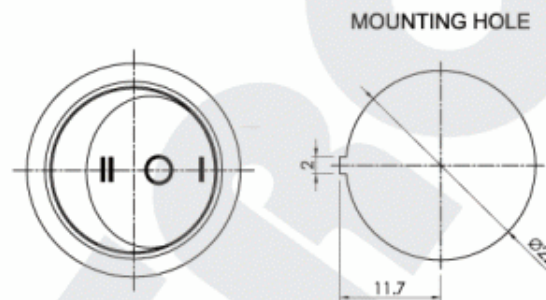
Rating : 10A 125V AC / 6A 250V AC
 Contact resistance : 50mΩ Max.
 Withstand voltage : 1,500V AC for 1 minute



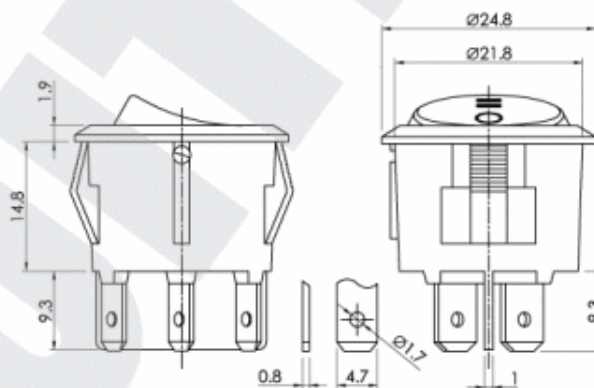
Rating : H : 10A 125V AC
6A 250V AC
T : 16A 125V AC
10A 250V AC
Contact resistance : 20m Ω Max.
Withstand voltage : 1,500 AC for 1 minute



RL3-5X Series



Rating : H : 10A 125V AC
6A 250V AC
T : 15A 125V AC
10A 250V AC
Contact resistance : 20m Ω Max.
Withstand voltage : 1,500 AC for 1 minute



HOW TO ORDER

MODEL NO.	FUNCTION	HOUSING COLOR	ROCKER COLOR	LAMP COLOR	MARKING	TERMINAL TYPE	For R13 Only LAMP OR LED COLOR	LAMP OR LED VOLTAGE	RATING
B : BLACK W : WHITE G : GRAY	B : BLACK W : WHITE G : GRAY R : RED Y : YELLOW GN : GREEN	R : RED Y : YELLOW GN : GREEN	A B D E F ON OFF	T S	For R13-112B2□□□□ R13-112L□□□□ R13-112LP□□□□ R13-135B2□□□□ R13-135L□□□□ R13-135LP□□□□ R13-405□□□□□□	□ : NO LAMP 1 : 125V AC 2 : 250V AC 3 : 12V DC 4 : 24V DC 5 : 3V DC LED	For RL3-4R series H : 10A 125V AC 6A 250V AC T : 16A 125V AC 10A 250V AC For RL3-5X series H : 10A 125V AC 6A 250V AC T : 15A 125V AC 10A 250V AC		