

# COMPONENT SPECIFICATION

## ● RELAY MODEL

**TRCA-24VDC-SD-AD**

## ● RELAY PARTS NUMBER:

**204-006037 TRCA-24VDC-SD-ADF-R**

## ● COIL DATA (AT20°C)

1. VOLTAGE	24 V
2. RESISTANCE	1280 $\Omega$ $\pm$ 10%.
3. MUST OPERATE VOLTAGE	18 V Max.
4. MUST RELEASE VOLTAGE	1.2 V Min.
5. NOMINAL CURRENT	18.8 mA
6. COIL CONSUMPTION	0.45 W
7. ALLOWABLE VOLTAGE	31.2 V Max.

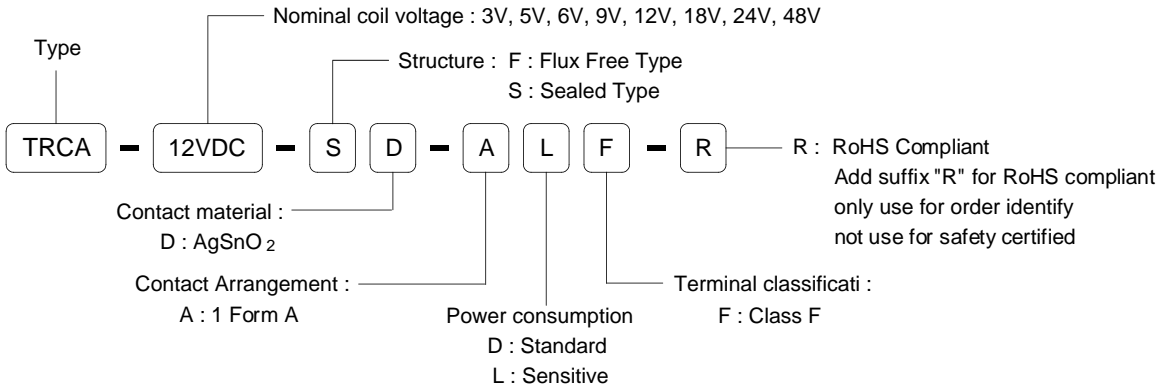
## ● SPECIFICATION

1. CONTACT FORM	: 1 FORM A.(SPST)
2. CONTACT RATING	: 10A 250Vac. (UL) : TV-5 120Vac.
3. CONTACT RESISTANCE (Max)	: 100m $\Omega$ .
4. OPERATE TIME (Max)	: 8msec.
5. RELEASE TIME (Max)	: 5msec.
6. DIELECTRIC STRENGTH (1 min)	
BETWEEN COIL & CONTACT	: 4000VAC.
BETWEEN CONTACTS	: 1000VAC.
7. INSULATION RESISTANCE (Min)	: 1000M $\Omega$ . (AT 500Vdc)
8. SURGE WITHSTAND VOLTAGE	: 6kV(1.2/50us).
9. AMBIENT TEMPERATURE	: -40°C ~ +85°C.
10. OPERATION HUMIDITY	: 5% TO 85% RH.
11. COIL TEMPERATURE RISE (Max)	: 70K. (at rated coil voltage)
12. VIBRATION RESISTANCE	10 to 55Hz DOUBLE AMPLITUDE 1.5mm.
13. SHOCK RESISTANCE	
DESTRUCTIVE	: 980m/s <sup>2</sup> .
FUNCTIONAL	: 98m/s <sup>2</sup> .
14. LIFE EXPECTANCY	
MECHANICALLY LIFE (Min)	: 1 x 10 <sup>7</sup> OPS.
ELECTRICALLY LIFE (Min)	
10A 250VAC at 40°C, Resistive load	: 1 x 10 <sup>5</sup> OPS.
10A 250VAC at 85°C, Resistive load	: 5 x 10 <sup>4</sup> OPS.
TV-5 120VAC at 40°C	: 2.5 x 10 <sup>4</sup> OPS.
15. WEIGHT (ABT.)	: 6g.
16. UL FILE NO.	: E156406.



# TRCA

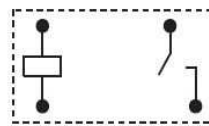
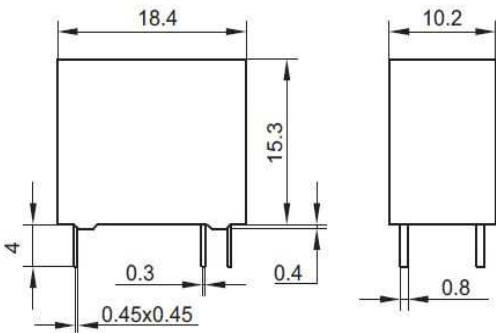
## ORDERING INFORMATION



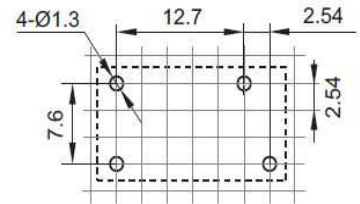
## DIMENSION (unit:mm)

## DRILLING (unit:mm)

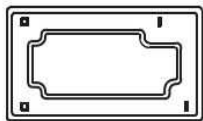
## WIRING DIAGRAM



(Bottom view)



(Bottom view)



(Bottom view)

Remark: 1. In case of no tolerance shown in dimension: ±0.5mm.  
2. The tolerance without indicating for DRILLING is always ±0.1mm.