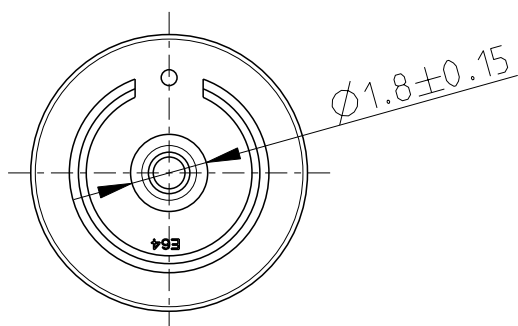
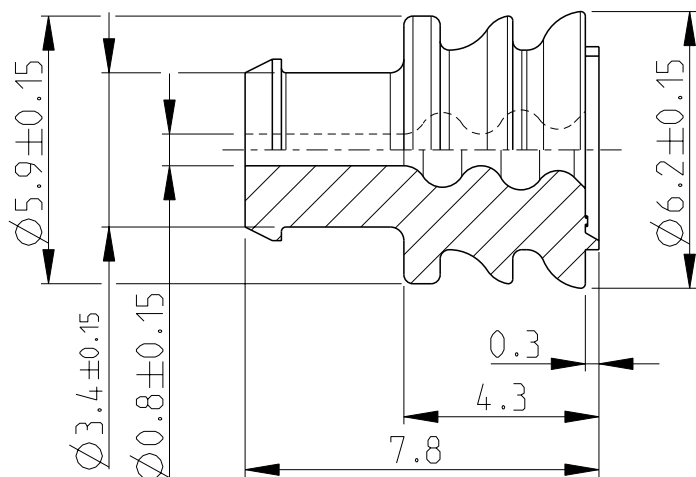
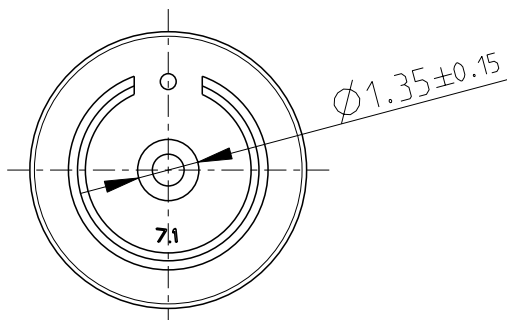


LOC	DIST	REVISIONS				
P	LTR	DESCRIPTION	DATE	DWN	APVD	
A1	-	M8	REVISED PER ECO-11-005150	31MAR2011	RK	HMR
		M9	REVISED PER ECO-16-012850	31AUG2016	M.G.	M.G.



ALTERNATIVE DESIGN ADMITTED:



BEMERKUNGEN
NOTES

- Einzelheiten der Ausfuehrung bleiben dem hersteller ueberlassen
DETAILS OF DESIGN ARE LEFT TO MANUFACTURER
- Passend fuer Drahtgroessenbereich: 0.35-1.0mm²
SUITABLE FOR WIRE SIZE RANGE:
- Passend fuer Isolationsdurchmesser: 1.2-2.1mm
SUITABLE FOR INSULATION DIAMETER:
- Bestueckungshilfe fuer Einzelleiterabdichtung siehe: TE Connectivity: 3-1579007-2
INSERTER FOR SINGLE WIRE SEAL SEE:
- Keine Luftloecher zulaessig
NO AIR BUBBLES PERMITTED



PART NO.	REV.	COLOUR	MATERIAL
828920-2	M	DARK BLUE	VMQ-50Shore A SILICON OIL FREE
828920-1	M	GREY	VMQ-50Shore A SELF-LUBRICATED

RELEASED FOR PUBLICATION

ALL RIGHTS RESERVED.

THIS DRAWING IS UNPUBLISHED.

© COPYRIGHT -

DIMENSIONS: mm		DWN Gaupp, P. 17APR1997	MATERIAL		FINISH
TOLERANCES UNLESS OTHERWISE SPECIFIED: DIN 16901-160		CHK Kuempel, D. 21APR1997	SEE TABLE		-
0 PLC ± 1 PLC ± 2 PLC ± 3 PLC ± 4 PLC ± ANGLES ±°		APVD -	TE Connectivity		
		PRODUCT SPEC 108-18263-1			
		APPLICATION SPEC -	SIZE A 4	CAGE CODE 00779	DRAWING NO C=828920
		WEIGHT 0.106g	RESTRICTED TO		-
		CUSTOMER DRAWING	SCALE 6:1	SHEET 1	OF 1
				REV M9	