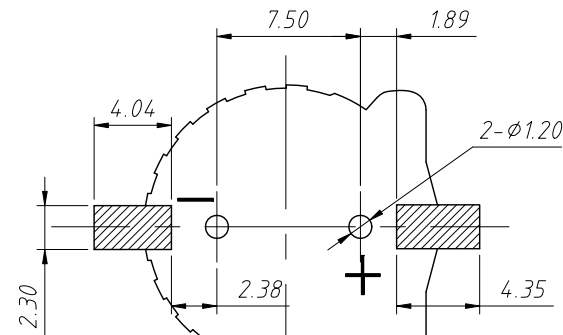
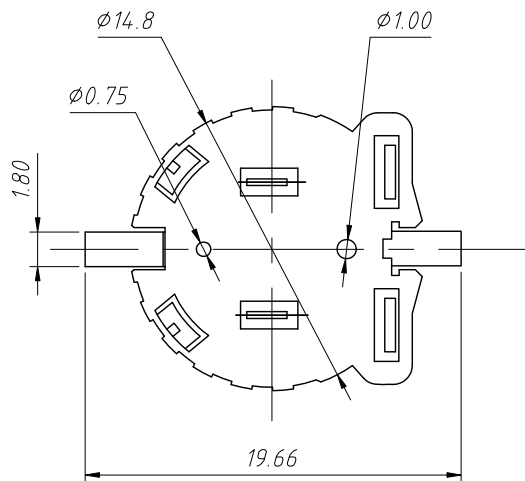
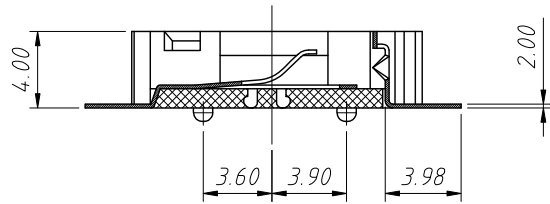
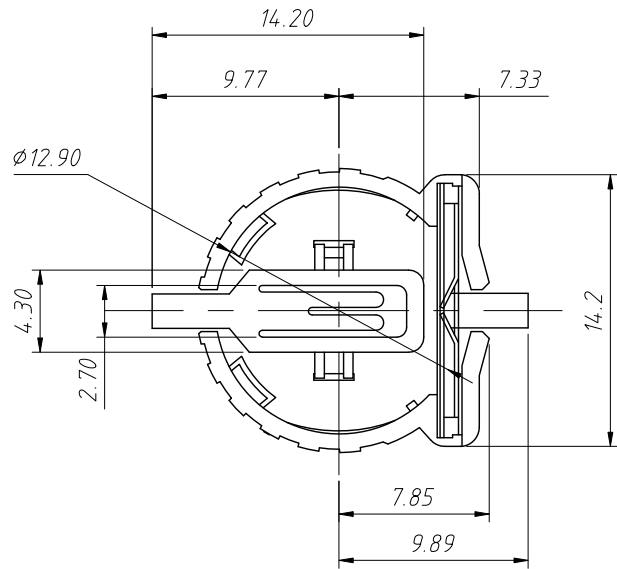


1 RoHS Compliance



PCB Layout Diagram  
Top View

Material:

Housing: PPS UL 94V-0, Brown

Contact: Phosphor bronze, T=0.20mm

Finish: Gold Plating and Ni Under-plating

Electrical Characteristics:

Contact Resistance: 30m $\Omega$  Max

Insulator Resistance: 1000M $\Omega$  Min

Dielectric Voltage: 500V AC One Sec Level

Operating Temperature: -25 $^{\circ}$ C ~ + 85 $^{\circ}$ C

Order Information:

L-KLS5-CR1220-02-R

L: RoHS

CR1220 Coin

Battery Holder

Part Number

Packing: R=Reel

ANGLE TOLERANCE	PROJECTION	Description:	CR1220 SMD COIN CELL RETAINERS, H4.0mm, Au plated, Reel
$\pm 3^{\circ}$			
GENERAL TOLERANCE	UNITS	mm	KLS P/N: L-KLS5-CR1220-02-R
x.x $\pm 0.30$	SHEET SIZE	A4	
x.xx $\pm 0.20$	Draw:	Daniel	2022-03-01
x.xxx $\pm 0.10$	Check:	Daniel	2022-03-01



NingBo KLS ELECTRONIC CO., L TD.