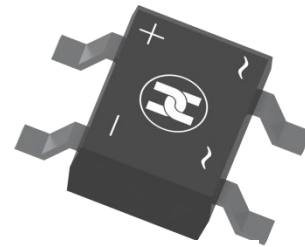
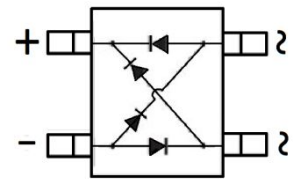


BRIDGE RECTIFIER
FEATURES

- Glass passivated die construction
- Low forward voltage drop
- High forward surge current capability

MECHANICAL DATA

- Case: DBS
- Case material: Molded plastic. UL flammability
- Classification rating: 94V-0
- Moisture sensitivity: Level 1 per J-STD-020
- Weight: 0.4 grams (approximate)
- Marking:DB201S-DB207S


DBS

MAXIMUM RATINGS (T_A = 25°C unless otherwise noted)

Parameter	Symbol	DB201S	DB202S	DB203S	DB204S	DB205S	DB206S	DB207S	Unit
Repetitive peak reverse voltage	V _{RRM}	50	100	200	400	600	800	1000	V
DC reverse voltage	V _{DC}	50	100	200	400	600	800	1000	V
RMS reverse voltage	V _{RMS}	35	70	140	280	420	560	700	V
Mean rectifying current	I _{F(AV)}	2.0							A
Non-repetitive peak forward surge current @ t = 8.3 ms	I _{FSM}	60							A
Junction temperature	T _J	-55 ~+150							°C
Storage temperature	T _{STG}	-55 ~+150							°C

ELECTRICAL CHARACTERISTICS (T_A = 25°C unless otherwise specified)

Parameter	Symbol	Max	Unit	Conditions
Forward voltage	V _F	1.1	V	I _F =2.0A
Reverse current@ T _A =25°C	I _R	10	μA	V _R =V _{RRM}
Reverse current@ T _A =125°C	I _R	500	μA	V _R =V _{RRM}

BRIDGE RECTIFIER

Fig.1 Average Rectified Output Current Derating Curve

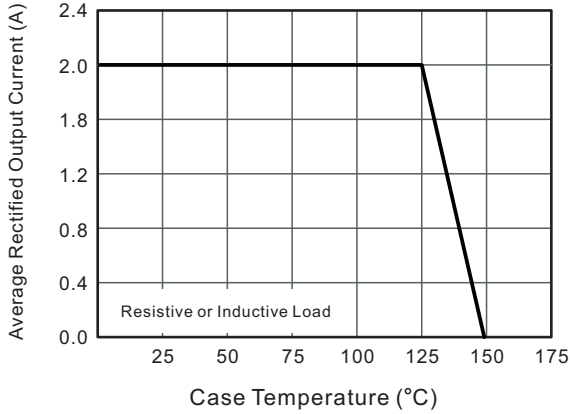
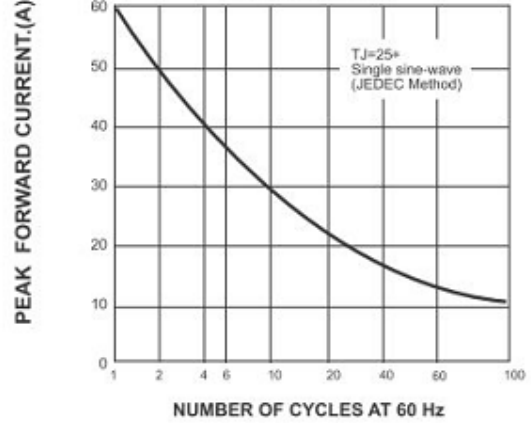
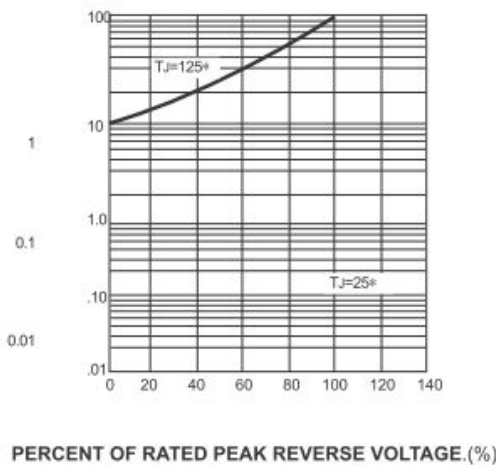


FIG. 2-MAXIMUM NON-REPETITIVE PEAK FORWARD SURGE CURRENT



INSTANTANEOUS REVERSE CURRENT (*A)

FIG. 3-TYPICAL REVERSE CHARACTERISTICS PER BRIDGE ELEMENT



INSTANTANEOUS REVERSE CURRENT.(A)

FIG. 4-TYPICAL FORWARD CHARACTERISTICS PER BRIDGE ELEMNT

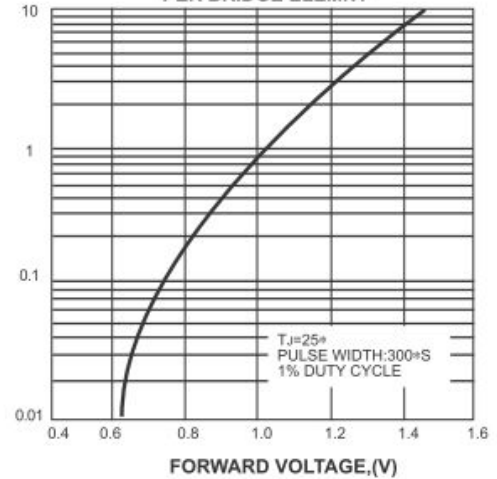
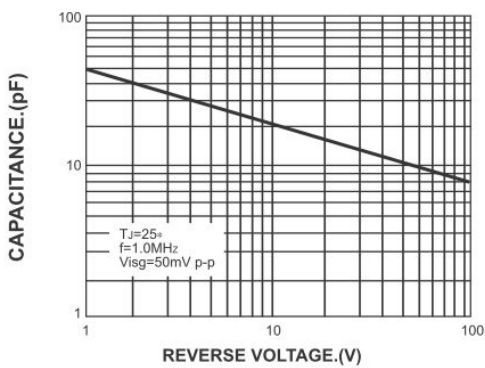
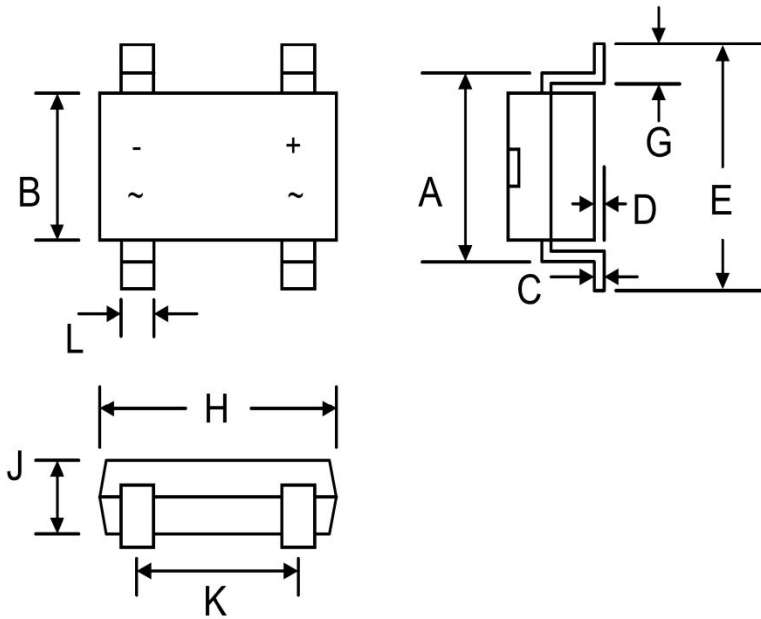
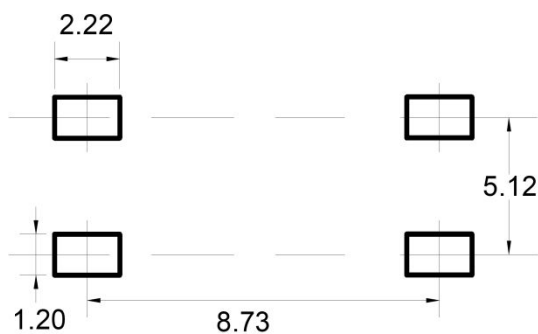


FIG. 3-TYPICAL JUNCTION CAPACITANCE PER BRIDGE ELEMENT

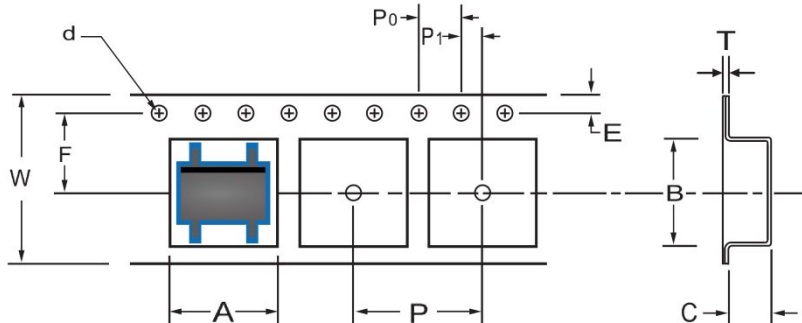


BRIDGE RECTIFIER
DBS Package Outline Dimensions


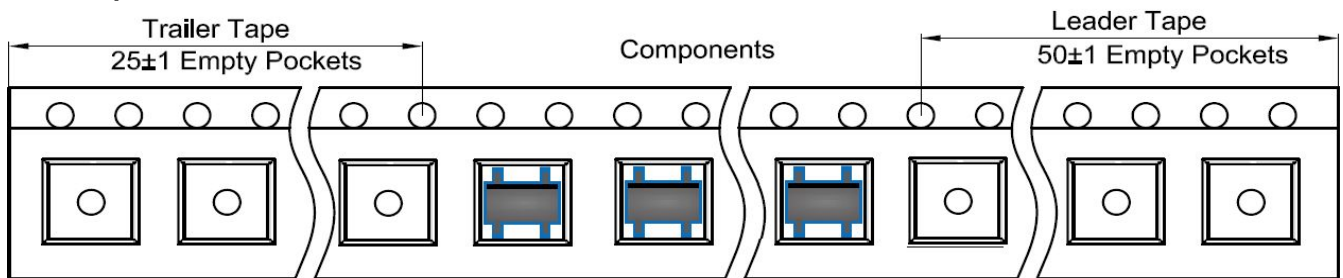
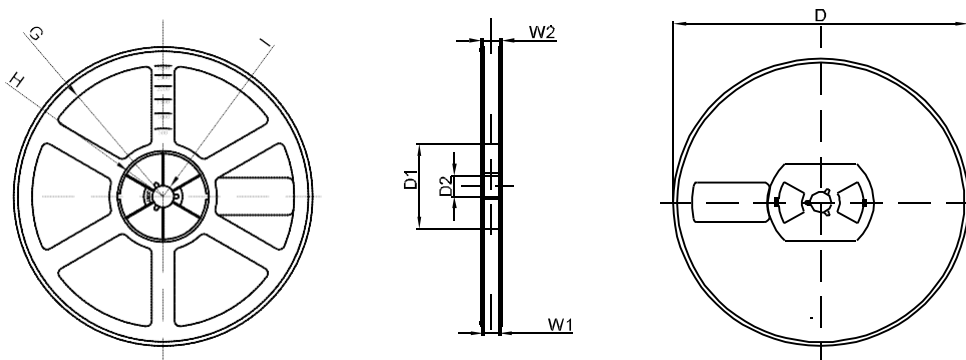
Symbol	Dimensions In Millimeters		Dimensions In Inches	
	Min.	Max.	Min.	Max.
A	7.40	8.50	0.291	0.335
B	6.20	6.50	0.245	0.255
C	0.22	0.33	0.009	0.013
D	0.08	0.33	0.003	0.013
E	9.40	10.40	0.370	0.409
G	1.02	1.53	0.040	0.060
H	8.00	8.74	0.315	0.344
J	2.32	3.40	0.091	0.134
K	5.00	5.20	0.197	0.205
L	0.95	1.20	0.037	0.047

DBS Suggested Pad Layout

Note:

1. Controlling dimension: in millimeters
2. General tolerance: $\pm 0.05\text{mm}$
3. The pad layout is for reference purposes only

BRIDGE RECTIFIER
DBS Tape and Reel
DBS Embossed Carrier Tape


DIMENSIONS ARE IN MILLIMETER										
TYPE	A	B	C	d	E	F	P ₀	P	P ₁	W
DBS	8.64	10.41	3.50	Ø1.50	1.75	7.50	4.00	12.00	2.00	16.00
TOLERANCE	±0.1	±0.1	±0.1	±0.1	±0.1	±0.1	±0.1	±0.1	±0.1	±0.1

DBS Tape Leader and Trailer

DBS Reel


DIMENSIONS ARE IN MILLIMETER								
REEL OPTION	D	D ₁	D ₂	G	H	I	W ₁	W ₂
13" DIA	Ø330	100	21	R165	R50	R6.50	16.4	21.00
TOLERANCE	±2	±1	±1	±1	±1	±1	±1	±1