

Data sheet

Commercial Art.No.: 96.232.1033.1

Cable assembly RST20i3K1B- 15 10SW

RST20i3 connection cable female - free end, 3 pole, assembled with shrinkage tube, application 250V with PE, 16A, cable type H07RN-F, length 1.0m, cross section 1.5mm², coding color black



Commercial Art.No.	96.232.1033.1
EAN	4015573761704
Order Unit	1

Certificates / Approvals



Technical data

General

Rated current	16 A
Rated voltage	250 V
Rated impulse voltage	4 kV
Pollution degree	3
Lockable	self-locking (unlocking by tool)
Color of coding/ contact carrier	black
Marking of poles	L, N, PE
Color of housing inclusive strain relief	black

Model

type of construction	Shrinkage tube
Connection type	Crimp
Nominal cross section conductor	1.5 mm ²
Degree of protection (IP)	IP66/68 (3m;2h)
Wire strip length	9 mm
sheath strip length	35 mm
Preparation of conductor ends	ultrasonically compressed wire ends
Cable type	H07RN-F
Cable color	black
Cable diameter min.	9.6 mm
Cable diameter max.	10 mm
Version of cable	female - free end

Type of cord set	connection cable
Version cable end 1	female
Version cable end 2	free end
Shielded	No

Material

Surface finish	Silver-plated
halogen free	No
Continuous temperature of cable	60 °C
Insulation components continuous temperature	100 °C
Fire load	0.709 kWh

Dimensions

Total length	1 m
--------------	-----

Classification

ECLASS 11	
ECLASS 8.1	27440604
ETIM 7.0	EC002587
ETIM 6.0	EC002587
ETIM 5.0	EC002587
ETIM 4.0	EC002587

Note

Note	The total length may vary up to + / - 3 %.
------	--

Product compliance

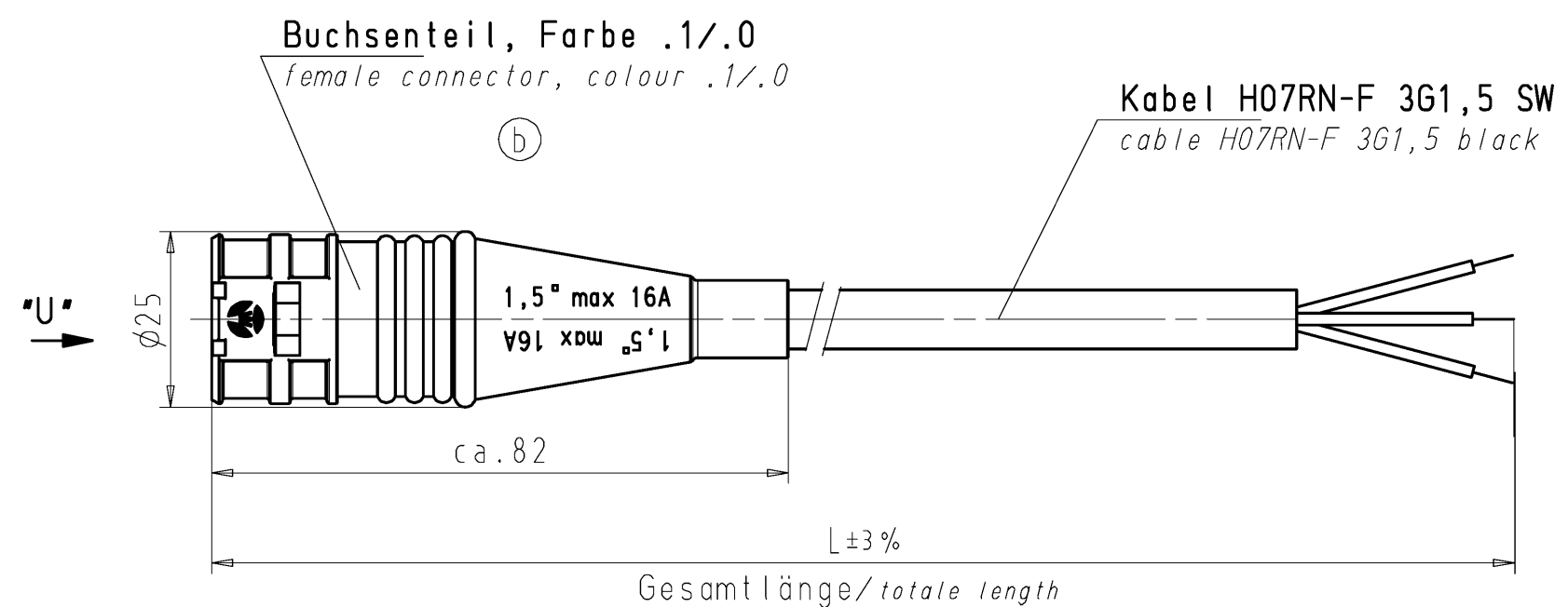
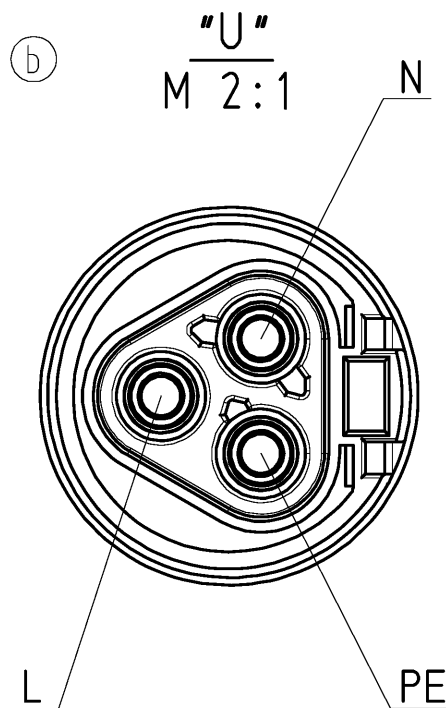
ROHS conformity status	Compliant/Exempted
ROHS exceptions	III-6(c)
REACH-SVHC conformity status	Duty-To-Declare
REACH-SVHC substances	Lead
REACH-SVHC CAS numbers	7439-92-1

Fits with

Commercial Art.No.:	Article-type description:	Description:
99.929.0000.7	Distributor RST20I3B 7P1 V SW	RST20I3 multi-distribution unit, 3 pole, application 250V, 20A, 1 input and 7 outputs, mounting option, coding color black, color of housing black

These dimensions will be especially checked at delivery
Only inspection dimensions
With /E marked dimensions are only valid for internal use

Diese Maße werden bei Abnahme besonders geprüft
Ausschließlich Prüfmaße
Mit /E gekennzeichnete Maße sind nur für interne Zwecke gültig



Farbe/colour	
schwarz/black	.1
lichtgrau/light grey	.0

Teile-Nr. part -no.	L	Beispiel (Farbe: schwarz, lichtgrau) example (colour: black, light grey)	Typ type
96.232.XX33.1	XX in dm-Schritten	96.232.1033.1 = 10dm/L= 1000mm	RST2013K1B- 15 10SW
96.232.XX33.0		96.232.1033.0	RST2013K1B- 15 10GL
U6.232.XX33.1	XX in m-Schritten	U6.232.1233.1 = 12 m/L=12000mm	RST2013K1B- 15 X12SW
U6.232.XX33.0		U6.232.1233.0	RST2013K1B- 15 X12GL

Weitere Daten siehe Katalog
further data see catalog

Tolerierung Size ISO 14405/Tolerance system Size ISO 14405. (This ISO-standard describes the envelope principle. According to the envelope principle the deviations of form and parallelism are limited by the size tolerances).		ja/yes <input checked="" type="checkbox"/> Stoffverbots- und Deklarationsliste nach WN 5020.010 ist einzuhalten. Conformity with Wieland document WN 5020.010 e (list of prohibited/declarable hazardous substances) to be declared!	
Freitoleranz nach General tolerance		CAD - Zeichnung, keine manuellen Änderungen CAD - drawing, no manual modifications allowed	
		1.Verwendung: First Use:	
		Blatt: 1 von 1 Sheet: of 1	
		Zeichnung Nr./Drawing No.	
		Index	
		T 96.232.0433.0 01K b	
		Maße in mm/Dimensions are in mm	
		Ersatz für/Replacement for: -	
		Type	
		Benennung/Title	
		KONFEKT_LEITUNG	
		Buchse-freies Ende Crimpausführung/female-free end pre-assembled cable crimp design K1 250V	
b 15.10.2014/ a 22.02.2007/ Index Datum / Blatt Date / Sheet		www.wieland-electric.com	
Änderung/Revision			

Weitergabe sowie Vervielfältigung dieses Dokuments, Verwertung und Mitteilung seines Inhalts sind verboten, soweit nicht ausdrücklich gestattet.
The reproduction, distribution and utilization of this document as well as the communication of its contents to others without express authorization is prohibited.