

## Data sheet

Commercial Art.No.: 96.032.0253.1

Connector RST20i3F S2 ZRX V SW

RST20i3 splitter connector, 3 pole, male, spring clamp connection, application 250V with PE, 20A, for cable diameters 6-10mm, coding color black, color of housing black



|                    |               |
|--------------------|---------------|
| Commercial Art.No. | 96.032.0253.1 |
| EAN                | 4015573993334 |
| Order Unit         | 1             |

Certificates / Approvals



## Technical data

### General

|  |                                  |
|--|----------------------------------|
| Rated current                            | 20 A                             |
| Rated voltage                            | 250 V                            |
| Rated impulse voltage                    | 4 kV                             |
| strain relief                            | yes                              |
| Pollution degree                         | 3                                |
| Lockable                                 | self-locking (unlocking by tool) |
| Color of coding/ contact carrier         | black                            |
| Marking of poles                         | L, N, PE                         |
| Color of housing inclusive strain relief | black                            |

### Connection Data

|   |                      |
|---|----------------------|
| Cable diameter max.   | 10 mm                |
| Cable diameter min.   | 6 mm                 |
| Connection cross section solid mm <sup>2</sup> max.         | 2.5 mm <sup>2</sup>  |
| Connection cross section solid mm <sup>2</sup> min.         | 0.5 mm <sup>2</sup>  |
| Connection cross section solid AWG min.                     | 20 AWG               |
| Connection cross section solid AWG max.                     | 14 AWG               |
| Connection cross section fine stranded mm <sup>2</sup> max. | 1.5 mm <sup>2</sup>  |
| Connection cross section fine stranded mm <sup>2</sup> min. | 0.5 mm <sup>2</sup>  |
| Connection cross section fine stranded AWG min.             | 1.5 AWG              |
| Terminations per pole                                       | 2                    |
| Connection cross section stranded mm <sup>2</sup> min.      | 0.75 mm <sup>2</sup> |
| Connection cross section stranded mm <sup>2</sup> max.      | 1.5 mm <sup>2</sup>  |
| Connection cross section stranded AWG min.                  | 20 AWG               |
| Connection cross section stranded AWG max.                  | 16 AWG               |
| sheath strip length   | 50 mm                |

|                   |         |
|-------------------|---------|
| Wire strip length | 14.5 mm |
|-------------------|---------|

#### Model

|                           |                         |
|---------------------------|-------------------------|
| Model                     | male                    |
| Connection type           | spring clamp connection |
| Degree of protection (IP) | IP66/68 (3m;2h) /IP69   |

#### Material

|  |               |
|--|---------------|
| Housing material                             | Polyamide     |
| halogen free                                 | yes           |
| Contact material                             | CuZn          |
| Fire load                                    | 0.493 kWh     |
| Insulation components continuous temperature | 100 °C        |
| Surface finish                               | Silver-plated |

#### Dimensions

|        |       |
|--------|-------|
| Length | 93 mm |
| Width  | 59 mm |
| Height | 38 mm |

#### Classification

|            |          |
|------------|----------|
| ECLASS 11  |          |
| ECLASS 8.1 | 27440605 |
| ETIM 7.0   | EC002560 |
| ETIM 6.0   | EC002560 |
| ETIM 5.0   | EC002560 |
| ETIM 4.0   | EC002560 |

#### Note

|      |  |
|------|--|
| Note | Fine stranded and stranded conductors require cable end sleeve |
|------|--|

#### Product compliance

|                              |                    |
|------------------------------|--------------------|
| ROHS conformity status       | Compliant/Exempted |
| ROHS exceptions              | III-6(c)           |
| REACH-SVHC conformity status | Duty-To-Declare    |
| REACH-SVHC substances        | Lead               |
| REACH-SVHC CAS numbers       | 7439-92-1          |

#### Accessories

| Commercial Art.No.: | Article-type description:                       | Description:  |
|---------------------|---|---|
| 06.502.4300.0       | screwdriver DIN 5264 A 0,4 X 2,5                | Screw driver according to DIN 5264 A, blade: 0.4x2.5 mm, long and straight version  |
| 95.101.1300.0       | ferrule crimping tool 0,08 - 10 mm <sup>2</sup> | Crimping tool for ferrules, wire strip length: 7-28 mm, nominal cross section: 0,08-10 mm <sup>2</sup> , length of tool: 180 mm |
| 06.600.3627.0       | ferrules DIN 46228-E1-12                        | RST end sleeve, for spring clamp contact, with insulating sleeve, for cross section 1.0 mm <sup>2</sup> /AWG17                  |

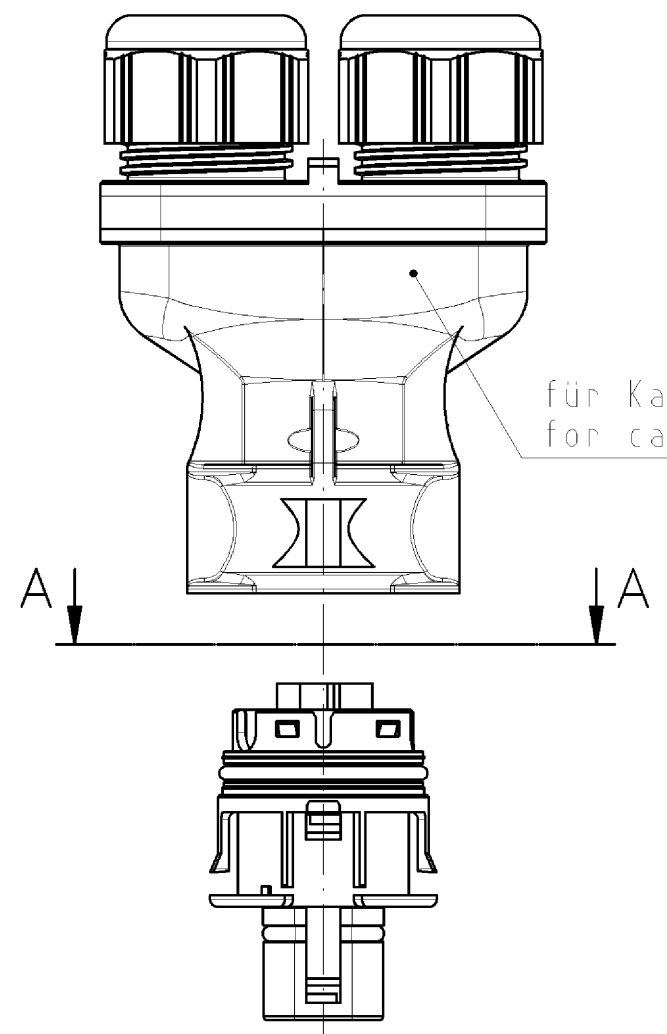
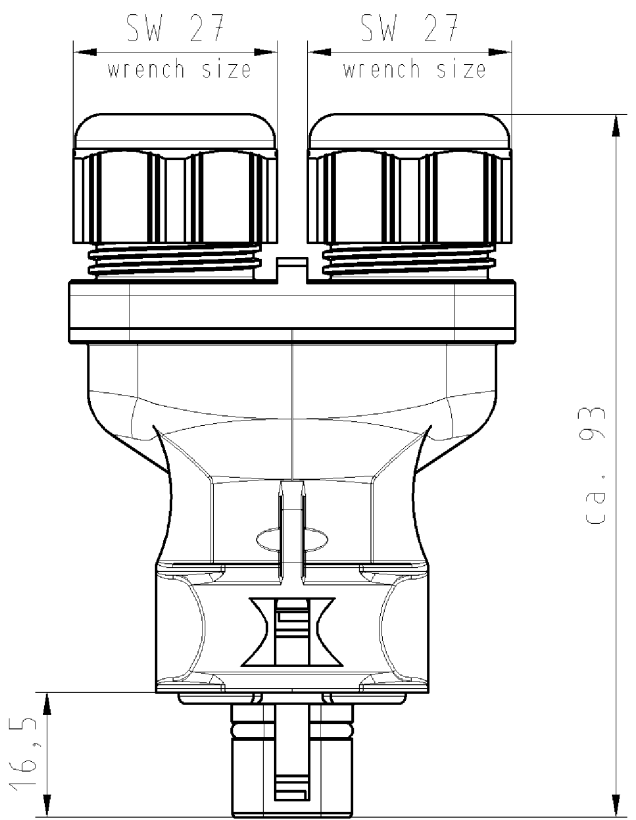
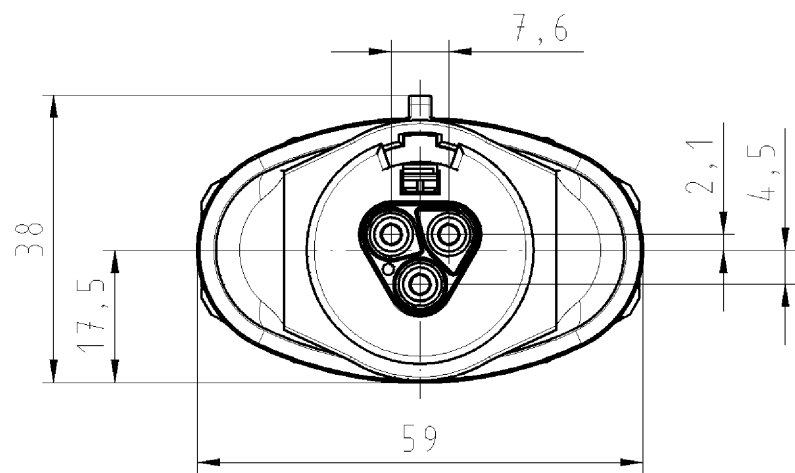
|               |                             |   |
|---------------|-----------------------------|---|
| 06.600.3727.0 | ferrules DIN 46228-E0,75-12 | RST end sleeve, for spring clamp contact, with insulating sleeve, for cross section 0.75-1.0 mm <sup>2</sup> /AWG17 |
| 06.600.3827.0 | ferrules DIN 46228-E0,5-10  | RST end sleeve, for spring clamp contact, with insulating sleeve, for cross section 0.5 mm <sup>2</sup> /AWG20      |
| 06.600.3927.0 | ferrules DIN 46228-E1,5-12  | RST end sleeve, for spring clamp contact, with insulating sleeve, for cross section 1.5 mm <sup>2</sup> /AWG16      |
| 05.564.4453.1 | Cover for male connector SW | RST20i3/2 cover piece, for covering unused male connectors, color black   |
| 99.416.6205.2 | Cover for male connector SW | RST20i3/2 cover piece, for covering unused male connectors, with fastening belt, color black                        |

### Fits with

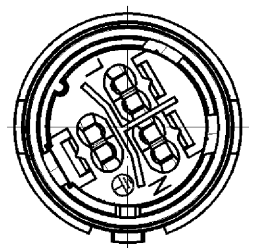
| Commercial Art.No.: | Article-type description:           | Description:   |
|---------------------|-------------------------------------|--|
| 96.030.0153.1       | Distributor RST20i3V 3P1 F V SW     | RST20i3 distribution block, 3 pole, application 250V with PE, 20A, 1 input and 3 outputs, with fastening option, coding color black, color of housing black                |
| 96.031.1053.1       | Device connector RST20i3F B2 M01 SW | RST20i3 device connector M25, 3 pole, female, spring clamp connection, application 250V with PE, 20A, coding color black   |
| 96.031.0253.1       | Connector RST20i3F B2 ZRX SW        | RST20i3 splitter connector, 3 pole, female, spring clamp connection, application 250V with PE, 20A, for cable diameters 6-10mm, coding color black, color of housing black |
| 96.031.2153.1       | Device connector RST20i3F B2 M03 SW | RST20i3 device connector M16, 3 pole, female, spring clamp connection, modular, application 250V with PE, 20A, coding color black, color of housing black                  |
| 96.031.2053.1       | Device connector RST20i3F B2 M00 SW | RST20i3 device connector M20, 3 pole, female, spring clamp connection, modular, application 250V with PE, 20A, coding color black, color of housing black                  |
| 96.033.2053.1       | Device connector RST20i3F B2 M90 SW | RST20i3 device connector (90° angled) M20, 3 pole, female, spring clamp connection, modular, application 250V with PE, 20A, coding color black, color of housing black     |
| 96.035.2153.1       | Device connector RST20i3F B2 M13 SW | RST20i3 device connector (7° angled) M16, 3 pole, female, spring clamp connection, modular, application 250V with PE, 20A, coding color black, color of housing black      |

These dimensions will be especially checked at delivery  
 Only inspection dimensions  
 With /E marked dimensions are only valid for internal use

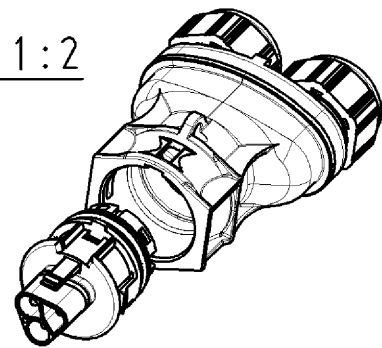
Diese Maße werden bei Abnahme besonders geprüft  
 Ausschließlich Prüfmaße  
 Mit /E gekennzeichnete Maße sind nur für interne Zwecke gültig



Schnitt/section A-A



M 1:2



|                       |                 |                                      |
|-----------------------|-----------------|--------------------------------------|
| Teile-Nr.<br>part-no. | Farbe<br>colour | Einz.-Tl.-Nr.<br>single part-no. * ) |
| 96.032.0253.0         | grau/grey       | ....._0                              |
| 96.032.0253.1         | schwarz/black   | ....._1                              |

|  |  |   |  |
|--|--|---|--|
| Tolerierung nach DIN 7167/Tolerance system acc. to DIN 7167.<br>(This DIN-standard describes the envelope principle. According to the envelope principle the deviations of form and parallelism are limited by the size tolerances). |  | ja/yes <input checked="" type="checkbox"/> Stoffverbots- und Deklarationsliste nach UU-TQM-05/03 ist einzuhalten.<br>Conformity with Wieland document UU-TQM-05/03 (list of prohibited / declarable hazardous substances) to be declared! |  |
| Freitoleranz nach DIN ISO 2768 - m<br>General tolerance  |  | CAD - Zeichnung, keine manuellen Änderungen<br>CAD - drawing, no manual modifications allowed   | 1. Verwendung: -<br>First Use:                               |
| Werkstoff/Material   |  | 2007 Tag/Date   | Name   |
| Maßstab/Scale  |  | 29.10.  | Duetsch  |
| 1:1  |  | geprüft checked   | -  |
| Vol. mm³   |  | Normgepr. Stand. check  | -  |
| Ofl./Surf. mm²   |  | Ersatz für/Replacement for: -   |  |
| Index Datum / Blatt<br>Date / Sheet  |  | Benennung/Title   |  |
| Änderung/Revision  |  | MALE CONNECTOR WITH TWIN CORD GRIP<br>STECKERTEIL MIT DOPPELZUGENTLA<br>mit Federkraftanschluß<br>with spring clamp-connection  |  |
| wieland<br>Elektrische Verbindungen  |  | Type<br>RST2013<br>F S2 ZRX V   | Zeichnung Nr./Drawing No.<br>T<br>96.032.0253.0 01K<br>Index |

Weitergabe sowie Vervielfältigung dieses Dokuments, Verwertung und Mitteilung seines Inhalts sind verboten, soweit nicht ausdrücklich gestattet.  
 The reproduction, distribution and utilization of this document as well as the communication of its contents to others without express authorization is prohibited.

960320253001K\_4\_CADW1043\_duetsch 2007-10-29 13:37:22 1.000