

Model: cbb65

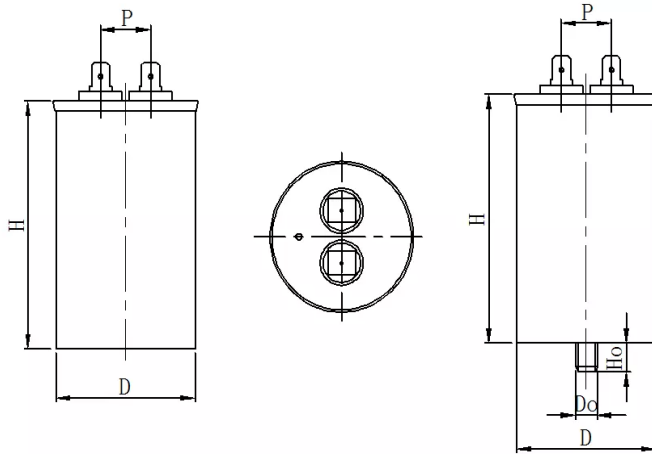
Brand: saifu

Product Description

CBB65 AC Motor Capacitor (Column, **Aluminum case**, Explosion-proofed)



■ Outline Drawing



Features:

- Widely applied to the starting and running of AC single-phase motors at 50Hz/60Hz frequency power.
- Self-healing property
- Good stability and reliability
- Safer with Explosion-proofed design
- Round capacitor, can be provided oval capacitor
- Single capacitor, can be provided double capacitor.

Application:

This capacitor widely used for air-conditioners refrigerators,generatiors,illuminating lamps etc.

Specifications

Reference standards	GB/T 3667.1 (IEC60252-1)
Climatic category	40 / 70 / 21、 40 / 85 / 21
Class of operation	Class B (10000h) Class C (3000h)
Class of safety protection	S0/S2
Voltage range	250VAC、 370VAC、 440VAC、 450VAC
Capacitance range	2~100 μ F
Capacitance tolerance	± 5% 、 ± 10%、 ± 15%
Dissipation factor	20×10^{-4} (100Hz,20°C)

Test voltage terminal to terminal U_{TT}	2 U_n for 2 seconds
Test voltage terminal to case U_{TC}	(2 U_n +1000)VAC or 2000VAC- 50Hz for 60 seconds
Insulation Resistance	$\geq 3000s$ (100Hz, 20°C, 1min)

Dimensions(mm)

NO.	格 production specifications	terminal	size
1	CBB65-450VAC 1 $\mu F \sim 9 \mu F$	2*4, 2*2 or 4*4	$\phi 40*60$
2	CBB65-450VAC-10 μF	2*4, 2*2 or 4*4	$\phi 40*60$
3	CBB65-450VAC-12.5 μF	2*4, 2*2 or 4*4	$\phi 40*70$
4	CBB65-450VAC-15 μF	2*4, 2*2 or 4*4	$\phi 45*70$
5	CBB65-450VAC-20 μF	2*4, 2*2 or 4*4	$\phi 50*75$
6	CBB65-450VAC-25 μF	2*4, 2*2 or 4*4	$\phi 50*85$
7	CBB65-450VAC-30 μF	2*4, 2*2 or 4*4	$\phi 50*100$
8	CBB65-450VAC-35 μF	2*4, 2*2 or 4*4	$\phi 50*100$
9	CBB65-450VAC-40 μF	2*4, 2*2 or 4*4	$\phi 50*100$
10	CBB65-450VAC-45 μF	2*4, 2*2 or 4*4	$\phi 50*100$
11	CBB65-450VAC-50 μF	2*4, 2*2 or 4*4	$\phi 50*125$
12	CBB65-450VAC-55 μF	2*4, 2*2 or 4*4	$\phi 50*125$
13	CBB65-450VAC-60 μF	2*4, 2*2 or 4*4	$\phi 50*125$
14	CBB65-450VAC-65 μF	2*4, 2*2 or 4*4	$\phi 55*125$
15	CBB65-450VAC-70 μF	2*4, 2*2 or 4*4	$\phi 55*125$
16	CBB65-450VAC-80 μF	2*4, 2*2 or 4*4	$\phi 60*125$
17	CBB65-450VAC-90 μF	2*4, 2*2 or 4*4	$\phi 60*125$
18	CBB65-450VAC-100 μF	2*4, 2*2 or 4*4	$\phi 63.5*125$

Note: Other specifications and size, terminal outside table are negotiable.