

## *Data Sheet*

Customer: \_\_\_\_\_

Product: Aluminum Electrolytic Capacitors – EHP Series

Size : 22x25mm ~ 40x70mm

Issued Date: 5-May.-2016

Edition: Ver. 1

### Record of change

Date	Ver.	Description	Page
5-May-2016	1		
21-Jul-2022	2	Edit 1000uF 450V size 40x70mm	5
26-Jul-2022	3	Edit 820uF 450V size 40x60mm	5

### **HITANO ENTERPRISE CORP.**

7F-7, No. 3, Wu Chuan 1<sup>st</sup> Road, New Taipei Industrial Park,

New Taipei City, TAIWAN, R.O.C.

Tel: +886 2 2299 1331 (Rep.)

Fax: +886 2 2298 2466, 2298 2969

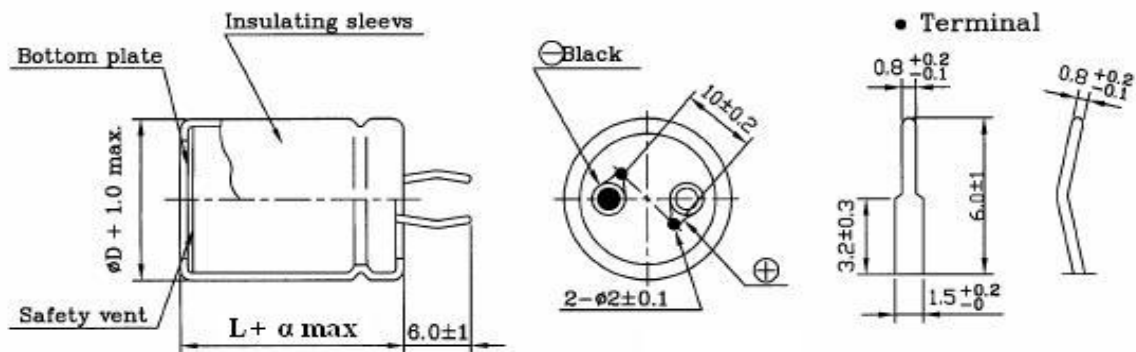
Prepared by	Checked by	Approved by	Accepted by (customer)
5-May-2016	5-May-2016	5-May-2016	
<i>Andy Hsu</i>	<i>Hwa Wu</i>	<i>Hwa Wu</i>	

- 105°C 2000 hours assured load life.
- Directly mountable on printed circuit board without holders.
- Rohs compliant
- Aluminum case designed explosion-proof vent.

**Characteristics**

<b>Voltage Range</b>	10 ~ 100V	160 ~ 450V						
<b>Capacitance Range</b>	560 ~ 47000uF	47 ~ 2200uF						
<b>Temperature Range</b>	-40 ~ +105°C	-25 ~ +105°C						
<b>Capacitance Tolerance</b>	±20% at 120Hz, 20°C( 10% Tol. is available upon request)							
<b>Leakage Current</b>	$I = 3\sqrt{CV}$ (uA) max C: Capacitance, V:W.V. (After 5 minutes)							
<b>Dissipation Factor (tanδ) ( at 20°C, 120Hz )</b>	Less than the value under table (%)							
	uF \\ W.V.	10 ~ 16	25 ~ 35	50 ~ 63	80 ~ 100	160 ~ 250	315 ~ 450	500
	47 ~ 390	--	--	--	15	15	20	25
	470 ~ 3900	25	20	20	20	15	20	25
	4700 ~ 8200	35	30	30	25	--	--	--
	10000 ~ 22000	40	35	30	--	--	--	--
	27000 ~ 47000	45	40	35	--	--	--	--
56000 ~ 68000	50	45	--	--	--	--	--	
<b>Stability at Low Temperature</b>	Impedance ration at 120Hz between the -25°C or -40°C value and 20°C value shall not exceed :							
	RWC (V)	10 ~ 16	25	35 ~ 100	160	200 ~ 250	350 ~ 450	500
	Z-25°C/Z 20°C	5	4	4	4	4	8	10
	Z-40°C/Z 20°C	15	15	12	--	--	--	--
<b>Load Life</b>	The following specifications shall be satisfied when the capacitors are restored to 20°C after rated working voltage applied for 2,000 hours at max. operating temperature with the rated ripple current.							
	Capacitance change	≤ ±20% of the initial value.						
	Dissipation factor	≤ ±200% of the initial specified value						
	Leakage current	≤ The initial specified value.						
<b>Shelf Life</b>	After storage for 1000 hours at 105°C with no voltage applied, the capacitor shall meet the specified limit in load life. Pre-treatment for measurement shall be conducted after application of DC working voltage for 30 minutes.							

**Diagram of Dimensions: unit(mm)**



**Multiplier for Ripple Current VS Frequency**

Cap.(uF) \\ (Hz)	50(60)	120	400	1K	10K	50K-100K
10 < Cap. ≤ 100	0.8	1	1.23	1.36	1.48	1.53
100 < Cap. ≤ 1000	0.8	1	1.16	1.25	1.35	1.38
1000 < Cap.	0.8	1	1.11	1.17	1.25	1.28

Dia	22 ~ 25	30 ~ 40
$\alpha$	2	3





**Standard Products Table**

W.V.	400								450							
Dimension	A		B		C		D		A		B		C		D	
Cap. (uF)	Size	RC	Size	RC	Size	RC	Size	RC	Size	RC	Size	RC	Size	RC	Size	RC
47	22x25	0.56							22x25	0.35						
56	22x25	0.63							22x30	0.41	25x25	0.41				
68	22x25	0.72							22x30	0.43	25x25	0.43				
82	22x30	0.77	25x30	0.82	30x25	0.85			22x35	0.45	25x25	0.45	30x25	0.45		
100	22x35	0.82	25x25	0.61	25x30	0.82	30x25	0.82	22x40	0.74	25x25	0.62	25x30	0.74		
120	22x35	0.90	25x30	0.90	30x25	0.90			22x45	0.82	25x35	0.82	30x30	0.82		
150	22x40	0.98	25x30	0.95	25x40	0.98	35x25	0.95	22x50	0.96	25x40	0.96	30x35	0.96	35x25	0.96
180	22x45	1.14	25x40	1.14	30x35	1.14	35x30	1.14	25x45	1.14	30x35	1.14	35x30	1.14		
220	22x50	1.21	25x45	1.21	30x35	1.21	35x30	1.21	25x45	1.20	30x35	1.20	30x40	1.24	35x35	1.24
270	25x50	1.40	30x45	1.40	35x35	1.40			25x50	1.21	30x50	1.48	35x40	1.48		
330	30x50	1.57	35x40	1.57					30x50	1.64	35x45	1.64	35x30	1.27		
390	30x50	1.71	35x40	1.71					30x50	1.64	35x50	1.86				
470	30x50	1.98	35x45	1.98	35x40	1.78			35x50	1.70	35x40	1.71				
560	35x50	2.23	35x40	1.86					35x45	1.96	40x40	2.02				
680	35x50	2.25	40x40	2.22					35x55	2.35	40x45	2.33				
820	35x55	2.58	40x50	2.67					40x60	2.62						
1000	35x65	2.90	40x55	2.92					40x70	3.03						
1200	35x75	3.39	40x60	3.31					40x70	3.54						

Unit : (mm)

Ripple Current (A, rms) at 105 °C 120Hz

**Part Numbering Designation**

<b><u>EHP</u></b>	<b><u>101</u></b>	<b><u>M</u></b>	<b><u>2G</u></b>	<b><u>B</u></b>	<b><u>A</u></b>
SERIES	CAPACITANCE	TOL.	W.V.	PACKAGE	SIZE
	IN 3DIGITS	M= ± 20%	16= 16V	B= Bulk	A= A Size
	101= 100uF	K= ± 10%	25= 25V		B= B Size
	102= 1000uF		35= 35V		C= C Size
	103= 10,000uF		50= 50V		D=D Size
			63= 63V		
			80= 80V		
			2A= 100V		
			2C= 160V		
			2D= 200V		
			2E= 250V		
			2V= 350V		
			2G= 400V		
			2W= 450V		