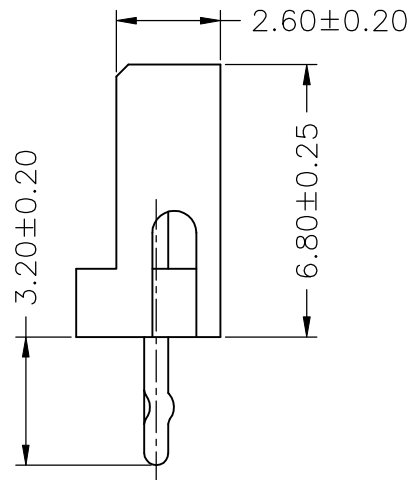
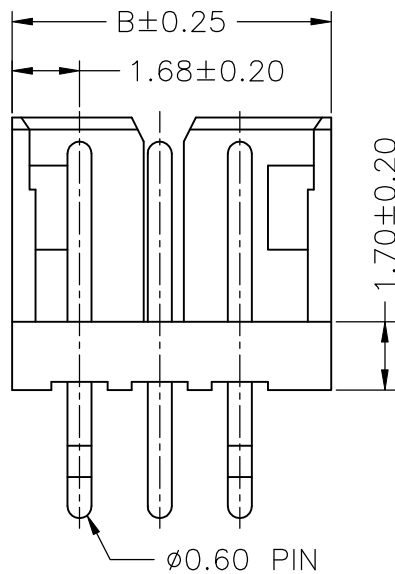


SPECIFICATIONS

Current Rating: 1A AC,DC
 Voltage Rating: 100V AC,DC
 Temperature Range: $-25^{\circ}\text{C} \sim +85^{\circ}\text{C}$
 Contact Resistance: 20m Ω Max.
 Insulation Resistance: 1000M Ω Min.
 Withstanding Voltage: 800V AC/minute
 Pin Material: Brass/Tin-plated
 Material: Nylon 66,UL94V-0

Ordering Information & Dimensions

PART NO.	Dimensions	
	A	B
CT-02M	2.00	5.96
CT-03M	4.00	7.96
CT-04M	6.00	9.96
CT-05M	8.00	11.96
CT-06M	10.00	13.96
CT-07M	12.00	15.96
CT-08M	14.00	17.96
CT-09M	16.00	19.96
CT-10M	18.00	21.96
CT-11M	20.00	23.96
CT-12M	22.00	25.96
CT-13M	24.00	27.96
CT-14M	26.00	29.96
CT-15M	28.00	31.96



RoHS Compliant

TOLERANCES ARE

.X ± 0.2
 .XX \pm
 .XXX \pm
 AWG

DESCRIPTION: 2.00mm PITCH 180° WAFER