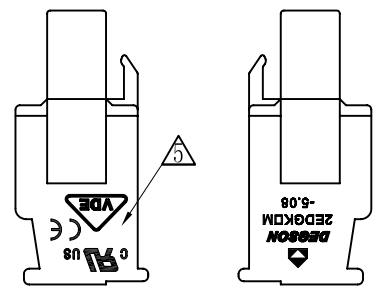
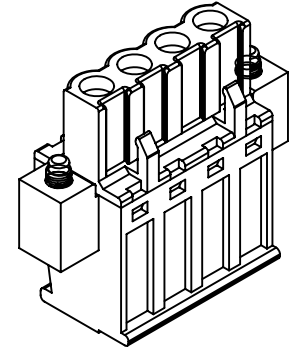
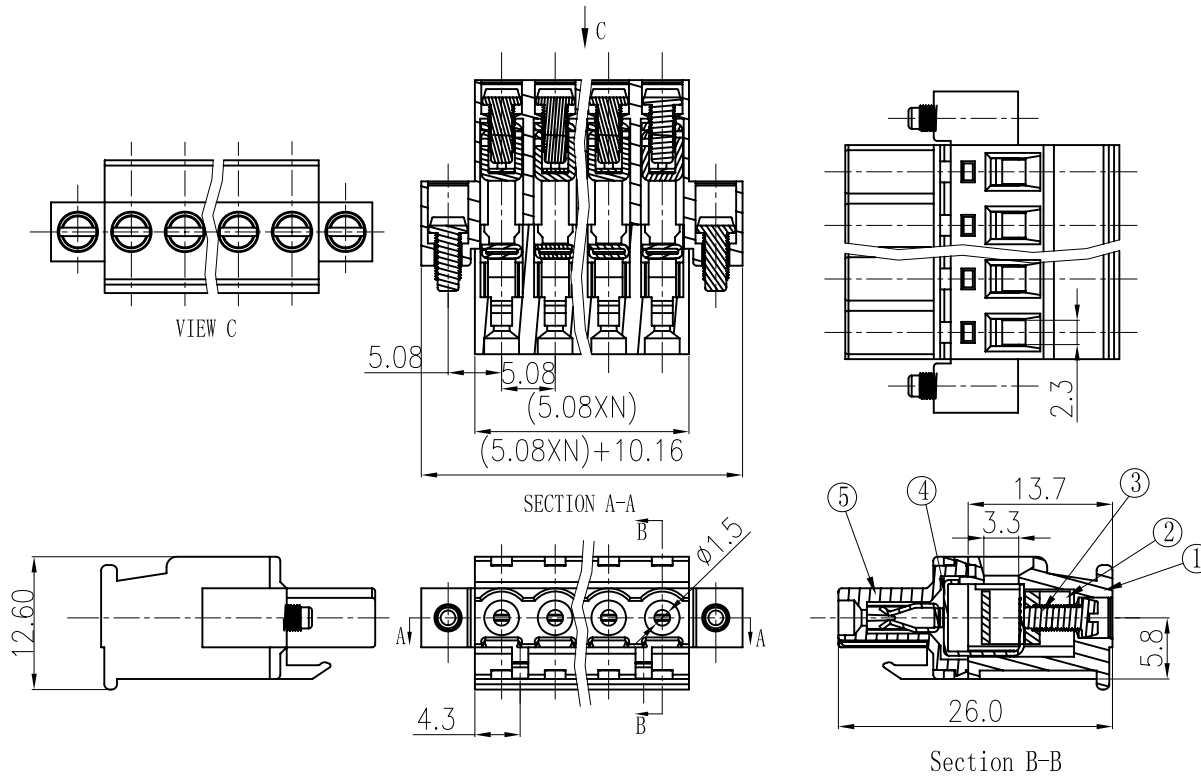


REVISION RECORD				
REV	ECO	DESCRIPTION	DRFT	DATE
△		Drawing emend	CSX	04/18/06*
△		工程变更	CSX	11/30/06*
△		增加UL刻字	CSX	04/05/07*
△		品名、料号增加环保标示“(H)”	LJH	12/11/07*
△		增加VDE, CE刻字	WLM	02/12/09*



Notes:

- Pitch: 5.08mm, Poles: 2-22P
- Rated voltage/current: UL 300V/15A  
VDE 320V/10A
- Operation temperatures: -45°C ~ +105°C
- Withstanding Voltage: AC2000V/1min
- Insulation Resistance: 5000Ω / DC1000V
- Wire Range: 28~12AWG, 2.5mm<sup>2</sup>
- Max. Torque Value: M2.5, 4.08kgf.cm
- Undimensioned Tolerances:

Pitch range in mm		Nominal dimension range in mm					
to	over	over	over	over	over		
6	6 to 10	10 to 24	30 to 60	60 to 100	100 to 150	150	
±0.10	±0.15	±0.25	±0.2	±0.3	±0.5	±0.7	
						±1.0	
						0.05/10	

5	2EDGKA/B-5.08 COVER	1028C0YXXA (H)	1	PA66	UL94V-0
4	2EDGKA/B-CLAMP	1028B00010 (H)	XX	Phosor Bronze	Ni plated
3	2EDG SCREW-M2.5	S000000980 (H) △	XX+2	Steel	Cr <sup>3+</sup> Zn
2	DG128 CAGE	X000000020 (H)	XX	Brass	Ni plated

ITEM	NAME OF PART	NO. OF PART	Q"TY	MATERIAL	NOTES
1	2EDGKAM/BM-5.08 HOUSING	1029A0YXXA (H)	1	PA66	UL94V-0
TOLERANCES EXCEPT AS NOTED		DFTO WYP	DATE 06/28/04"	DEGSON 宁波高正电子有限公司 DEGSON ELECTRONICS CO., LTD	
MM (INCH)		CHKD	DATE	NAME 2EDGKBM-5.08-XXP-1Y-00A(H)	
.0 ±		MFO	DATE		
.00 ±		APPVL	DATE	DRAWING NO. 2EDGKBM-5.08-E01	
.000 ±		MATERIAL :			
ANGLES ± 1'		G.E :		SIZE REV	
THIRD ANGLE PROJECTION		FINISH :		A3 T5	
		SCALE :		02/12/09*	
DO NOT SCALE DRAWING			SHEET 1 OF 1		