

DEGSON-Global Industrial Connector Manufacturer, Providing Customized Solution To All Partners.



Interface Electronics

DEGSON Device Connection Technology

DEGSON TECHNOLOGY CO., LTD.
 ISO9001 ISO14001 ISO80079-34 ISO/TS22163 IATF16949

DEGSON Circular Connectors

DEGSON TECHNOLOGY CO., LTD.
 ISO9001 ISO14001 ISO80079-34 ISO/TS22163 IATF16949

DEGSON Heavy Duty Connector

DEGSON TECHNOLOGY CO., LTD.
 ISO9001 ISO14001 ISO80079-34 ISO/TS22163 IATF16949

DEGSON DIN Rail Terminal Blocks And Accessories System

DEGSON TECHNOLOGY CO., LTD.
 ISO9001 ISO14001 ISO80079-34 ISO/TS22163 IATF16949

DEGSON High voltage connection system

DEGSON TECHNOLOGY CO., LTD.
 IATF16949

DEGSON Automation

DEGSON TECHNOLOGY CO., LTD.
 ISO9001 ISO14001 ISO80079-34 ISO/TS22163 IATF16949



DEGSON
 DEGSON TECHNOLOGY CO., LTD.

Add: No.1585.Xiaolin Road.Cixi.Ningbo China
 P.C.: 315321
www.degson.com

Tel: +86-574-63510770
 E-mail: sale@degson.com

The catalog is only for reference, and the detail data must be based on our company's specification!



高松官网 微信公众号

IE 23-E02

Brief Introduction

Founded in 1990, DEGSON is well known as a comprehensive industrial solution provider, with UL-CTDP, VDE-TDAP and CNAS approved laboratory. DEGSON has passed ISO9001, ISO14001, ISO45001, ISO80079-34, ISO/TS22163 and IATF16949 Management System, and is a national high-tech enterprise.

DEGSON is engaged in supplying highly reliable and durable products to serve global customers. The company has a market-leading capability of mould processing, automatic manufacturing and advanced testing. DEGSON has the complete engineering ability to support global customers with the professional customization solution and value-added service.

DEGSON products are widely recognized in China, the USA, Germany, the UK, Italy, Spain, Turkey, Japan, South Korea, Singapore, etc. totally hundred countries and regions. DEGSON supply high quality products and provide professional services globally in the industry sectors likely industrial automation, instrument, electric power, railway, marine and offshore, new energy, E-bike industrial elevator, lighting, security, machinery, etc. The company won the recognition from partners among Fortune 500 and industry leading enterprises.

Based on the core values of "Clients First, Win-win Strategy, Responsibility Integrity, Excellence Pursuit", DEGSON continuously integrates professional technical resources, R&D innovation, product manufacturing and technology application capabilities. Relying on global sales network, DEGSON aims to supply series of multiple varieties of high-quality products and services. We provide global customers with professional and quick connected application solutions, help customers continue to create value. DEGSON is making contributions to creating a smart and interconnected world.

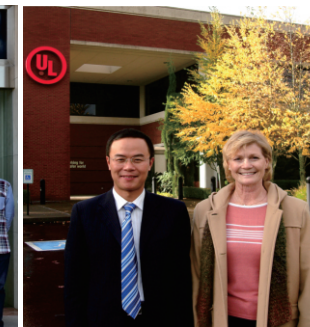


UL-CTDP (USA), VDE-TDAP (Germany) and CNAS labs

Strategic cooperation with UL and VDE



① The general manager of UL global energy & technology division visit our company



② Sven Ohrke, President of VDE global services, comes to DEGSON to discuss strategic cooperation



③ VDE Laboratory Accreditation: In July 2010, VDE Issued the "VDE Authorized Laboratory" Certificate to DEGSON's laboratory.
UL laboratory accreditation: UL formally issued "UL WTDP" certification to DEGSON in March 2013. On April, 2016, UL-CTDP. On December, 2016, VDE-TDAP. On January, 2017, Pass IRIS system audit.

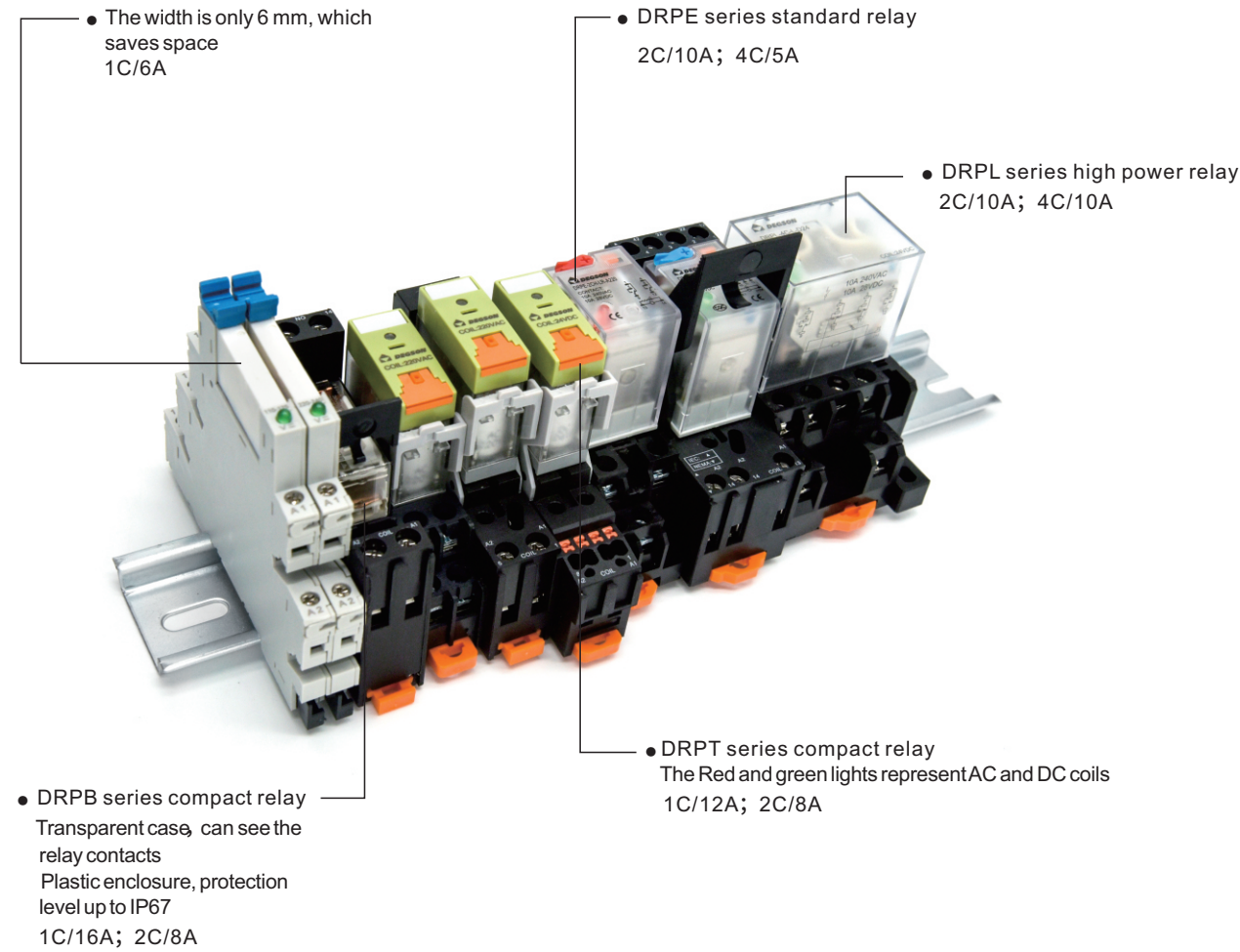


CONTENTS

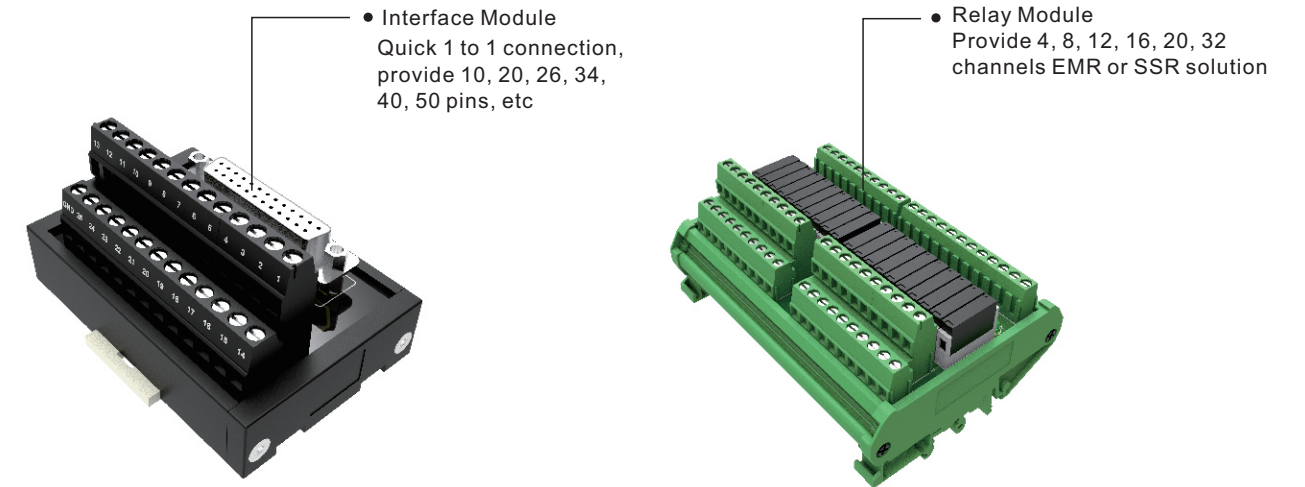
CONTENTS

All Relays

Interface & Relay Module



We offer all kinds of pre-made cable & module to realize fast wiring and save time. We can satisfy your connection demands, and support special requirements.



Interface Module Series	31-44
Relay Module Series	45-54

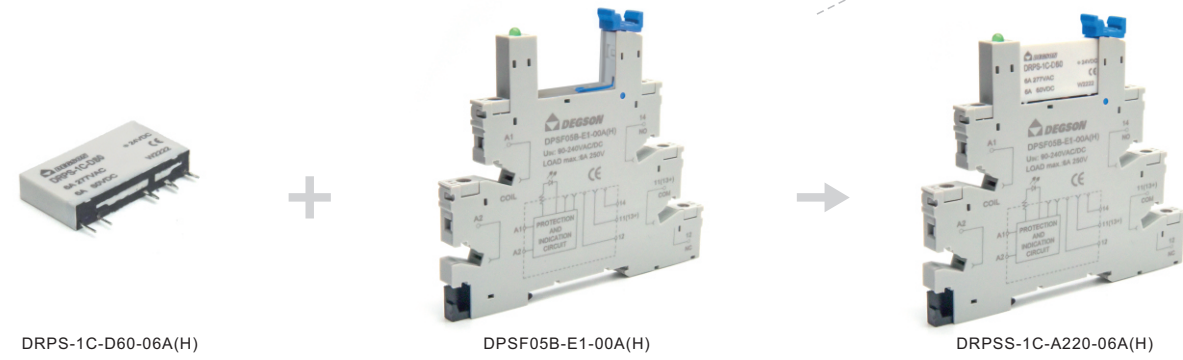
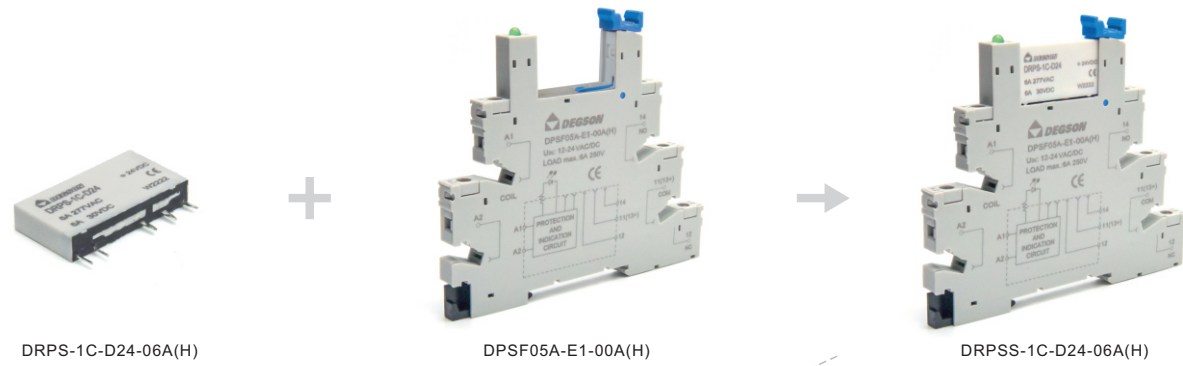
Power Supplies

We offer high-quality single-phase and three phase DIN rail power supplies, covering up to 960W, along with redundant module products to ensure reliable system power supply.

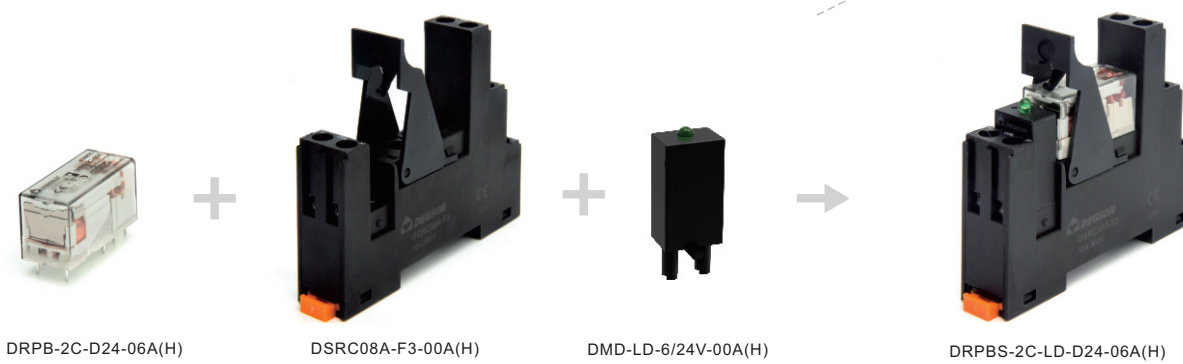
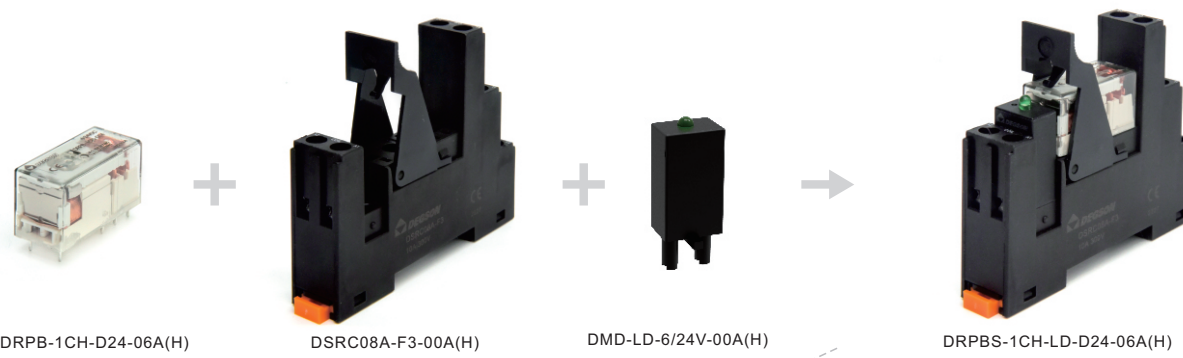


Relay Combination Quickcheck	01-04
DRPS Power Relay Series	05-08
DRPB Power Relay Series	09-12
DRPT Power Relay Series	13-18
DRPE Power Relay Series	19-26
DRPL Power Relay Series	27-30

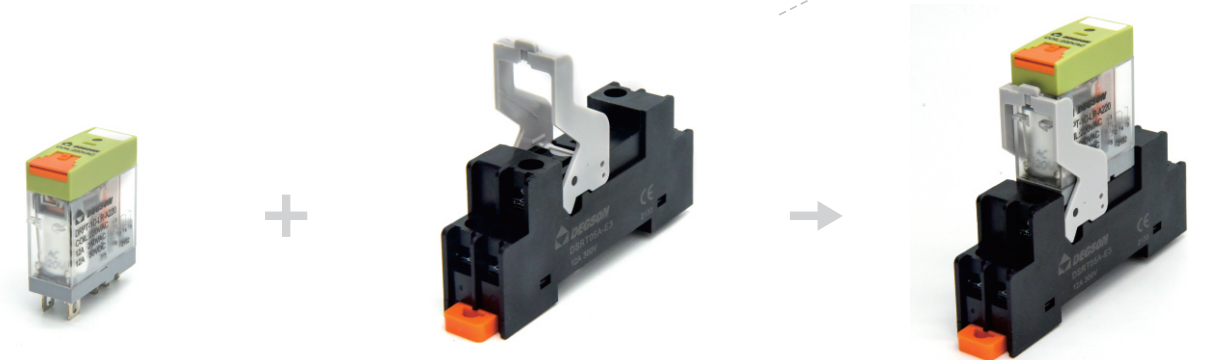
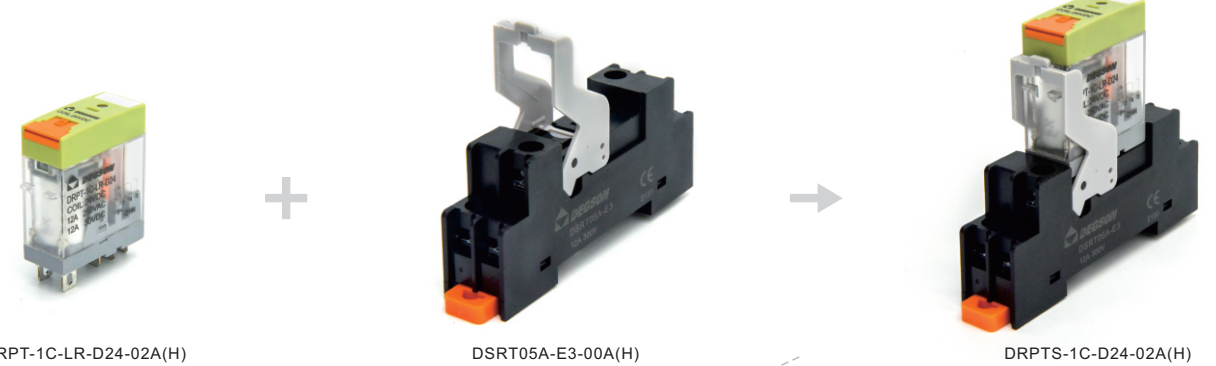
Standard Single Phase Power Supplies	55-64
Wide Input Single/Two Phase Power Supplies	65-72
Standard Three Phase Power Supplies	73-78
Redundancy Module	79-82



DRPS series				
Technical parameter	Relay	Base	Accessory	Assembled module
24DC/1CO/6A	DRPS-1C-D24-06A(H)	DPSF05A-E1-00A(H)	/	DRPSS-1C-D24-06A(H)
220AC/1CO/6A	DRPS-1C-D60-06A(H)	DPSF05B-E1-00A(H)	/	DRPSS-1C-A220-06A(H)



DRPB series				
Technical parameter	Relay	Base	Accessory	Assembled module
24DC/1CO/16A	DRPB-1CH-D24-06A(H)	DSRC08A-F3-00A(H)	DMD-LD-6/24V-00A(H)	DRPBS-1CH-LD-D24-06A(H)
24DC/2CO/8A	DRPB-2C-D24-06A(H)	DSRC08A-F3-00A(H)	DMD-LD-6/24V-00A(H)	DRPBS-2C-LD-D24-06A(H)



DRPT series				
Technical parameter	Relay	Base	Accessory	Assembled module
24DC/1CO/12A	DRPT-1C-LR-D24-02A(H)	DSRT05A-E3-00A(H)	/	DRPTS-1C-D24-02A(H)
220AC/1CO/12A	DRPT-1C-LR-A220-02A(H)	DSRT05A-E3-00A(H)	/	DRPTS-1C-A220-02A(H)
24DC/2CO/8A	DRPT-2C-LR-D24-02A(H)	DSRT08A-E3-00A(H)	/	DRPTS-2C-D24-02A(H)
220AC/2CO/8A	DRPT-2C-LR-A220-02A(H)	DSRT08A-E3-00A(H)	/	DRPTS-2C-A220-02A(H)



+



→



DRPE-2CH-LR-D24-07A(H)

DPYF08A-E3-00A(H)

DRPES-2CH-D24-07A(H)



+



→



DRPE-2CH-LR-A220-07A(H)

DPYF08A-E3-00A(H)

DRPES-2CH-A220-07A(H)



+



→



DRPE-4C-LR-D24-07A(H)

DPYF14A-E3-00A(H)

DRPES-4C-D24-07A(H)



+



→



DRPE-4C-LR-A220-07A(H)

DPYF14A-E3-00A(H)

DRPES-4C-A220-07A(H)

DRPE series

Technical parameter	Relay	Base	Accessory	Assembled module
24DC/2CO/10A	DRPE-2CH-LR-D24-07A(H)	DPYF08A-E3-00A(H)	/	DRPES-2CH-D24-07A(H)
220AC/2CO/10A	DRPE-2CH-LR-A220-07A(H)	DPYF08A-E3-00A(H)	/	DRPES-2CH-A220-07A(H)
24DC/4CO/5A	DRPE-4C-LR-D24-07A(H)	DPYF14A-E3-00A(H)	/	DRPES-4C-D24-07A(H)
220AC/4CO/5A	DRPE-4C-LR-A220-07A(H)	DPYF14A-E3-00A(H)	/	DRPES-4C-A220-07A(H)



+



→



DRPL-2C-L-D24-02A(H)

DPTF08A-E3-00A(H)

DRPLS-2C-L-D24-02A(H)



+



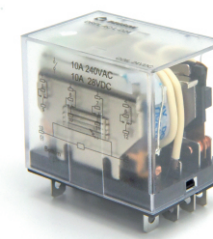
→



DRPL-2C-L-A220-02A(H)

DPTF08A-E3-00A(H)

DRPLS-2C-L-A220-02A(H)



+



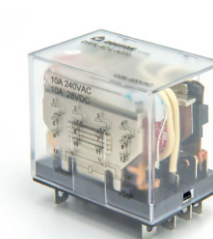
→



DRPL-4C-L-D24-02A(H)

DPTF14A-E3-00A(H)

DRPLS-4C-L-D24-02A(H)



+



→



DRPL-4C-L-A220-02A(H)

DPTF14A-E3-00A(H)

DRPLS-2C-A220-02A(H)

DRPL series

Technical parameter	Relay	Base	Accessory	Assembled module
24DC/2CO/10A	DRPL-2C-L-D24-02A(H)	DPTF08A-E3-00A(H)	/	DRPLS-2C-L-D24-02A(H)
220AC/2CO/10A	DRPL-2C-L-A220-02A(H)	DPTF08A-E3-00A(H)	/	DRPLS-2C-L-A220-02A(H)
24DC/4CO/10A	DRPL-4C-L-D24-02A(H)	DPTF14A-E3-00A(H)	/	DRPLS-4C-L-D24-02A(H)
220AC/4CO/10A	DRPL-4C-L-A220-02A(H)	DPTF14A-E3-00A(H)	/	DRPLS-4C-L-A220-02A(H)



DRPS

Features

- Small size, 6A switching power.
- Multiple sockets optional.
- Green product RoHS.

Performance Parameters

Contact parameters

Contact form	1C
Contact material	AgSnO ₂
Resistive load	6A@277VAC/28VDC
Switch power	1500VA, 144W
Contact resistance(Initial)	<100mΩ
Electrical life(1s on/1s off)	1C: >3*10 ⁴ (1s on, 9s off) 1C/P: >5*10 ⁴
Mechanical life(300cycles/min)	>1x10 ⁷ (18000 Ops/h)

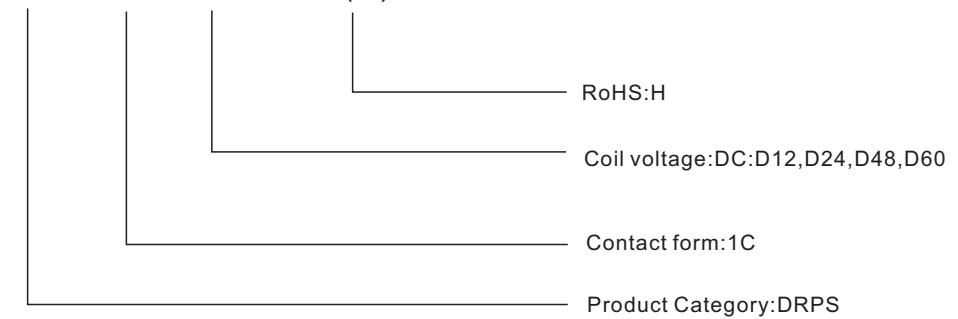
Coil parameters

Rated voltage (DC)	DC12V	DC24V	DC48V	DC60V
Rated resistance(±10%)	847Ω	3388Ω	10618Ω	20570Ω
Operate voltage	DC: ≤75%(Rated voltage)			
Release voltage	DC: ≥10%(Rated voltage)			
Max input voltage	130%(Rated voltage)			
Coil power	0.17W			
Operate time	<8ms			
Release time	<4ms			

Universal parameters

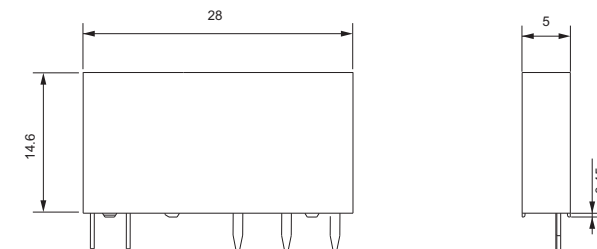
Insulation resistance	1000MΩ(500VDC)
Dielectric voltage	
Between contacts	1000VAC/1min
Between contacts and coil	4000VAC/1min
Shock withstanding	5G
Vibration withstanding	10-55Hz(Double amplitude 1.0mm)
Ambient temperature	-40...+85°C
Ambient humidity	5%~85%RH
Weight	5g
Matching socket	DPSF series, DPRF series
Min. switching load	1C: 100mA 6VDC 1C/P: 100mA 5VDC gold-plated 1C/P-XX-AU: 10mA 5VDC
Max. switching voltage	250VAC

DRPS - 1C - D24 - 06A(H)



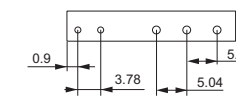
Overall Dimensions

DRPS-1C

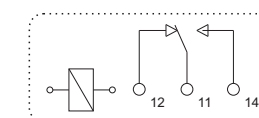


Installation Diagrams, Wiring Diagrams

DRPS-1C



DRPS-1C

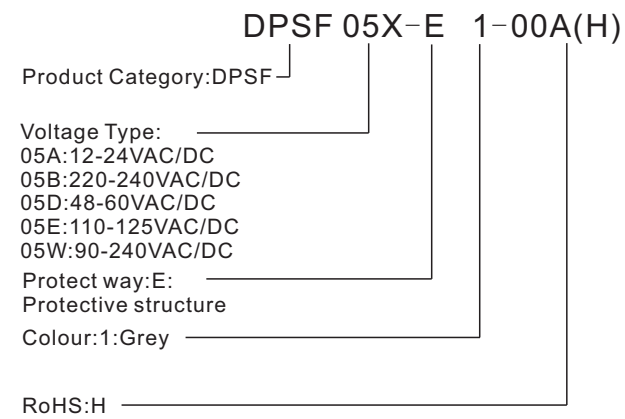




DPSF

Features

- Protective socket, 6A.
- Screw connection.
- Green product RoHS.



Performance Parameters

Technical parameters

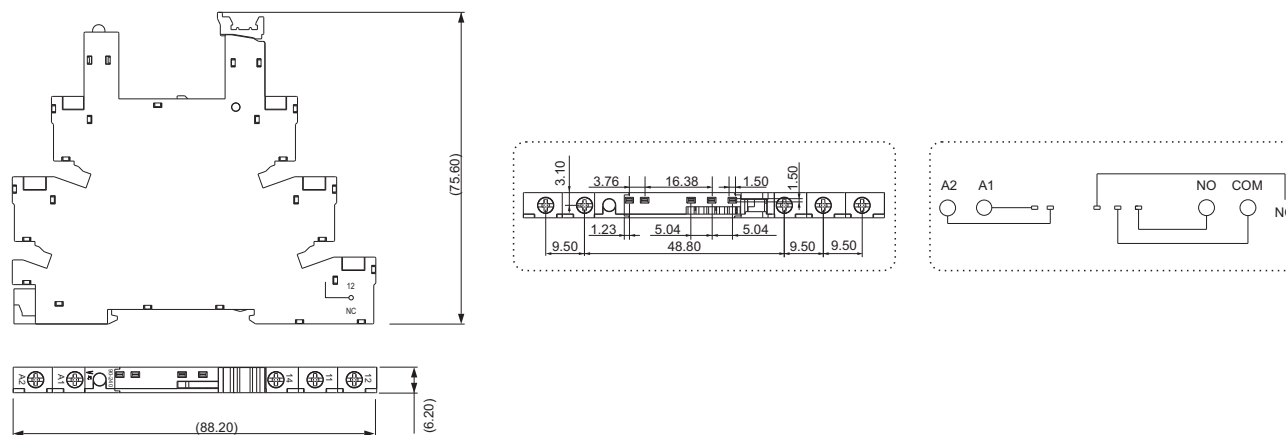
Product type	DPSF05X-E1
Rated current	6A
Rated voltage	250V
Coil/Contact dielectric voltage	4000V/S
Dielectric voltage between contact	2500V/S
Screw torque	0.5Nm
External connection wire	20-16AWG/0.5-1.5mm ²
Ambient temperature	-40~+70°C
Weight	26g

Supporting relays and accessories

Product type	Relay	Short splice
DPSF05A-E1	DRPS-1C-D12/D24	DBA20-6-12-00A(H) Color: blue
DPSF05B-E1/DPSF05E-E1	DRPS-1C-D60	DBA20-6-13-00A(H) Color: black
DPSF05D-E1	DRPS-1C-D48/D60	DBA20-6-16-00A(H) Color: red
DPSF05W-E1	DRPS-1C-D24	
Popular Assembled module		24VDC: DRPSS-1C-D24-06A(H) 220/230VAC: DRPSS-1C-A220-06A(H)

Overall Dimensions, Wiring Diagrams

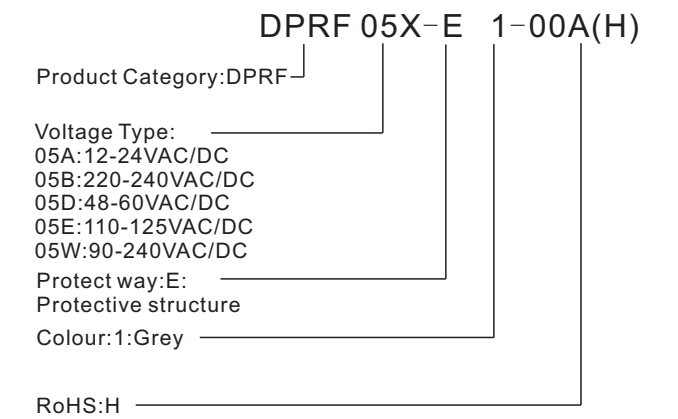
DPSF05X-E1



DPRF

Features

- Protective socket, 6A.
- Push-in connection.
- Green product RoHS.



Performance Parameters

Technical parameters

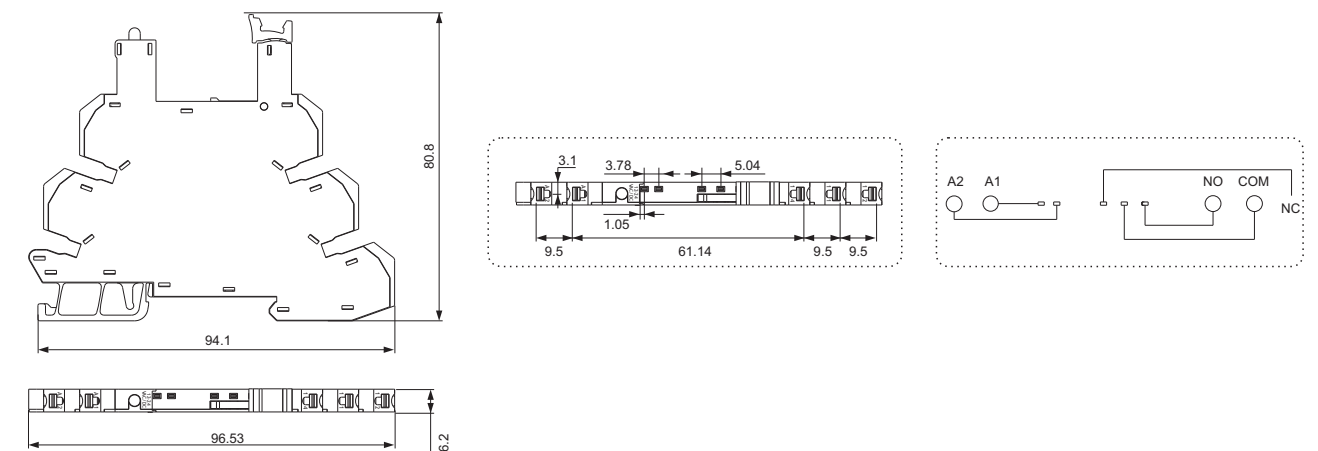
Product type	DPRF05X-E1
Rated current	6A
Rated voltage	300V
Coil/Contact dielectric voltage	4000V/S
Dielectric voltage between contact	2500V/S
External connection wire	22-14AWG/0.25-2.5mm ²
Ambient temperature	-40~+70°C
Weight	23.5g

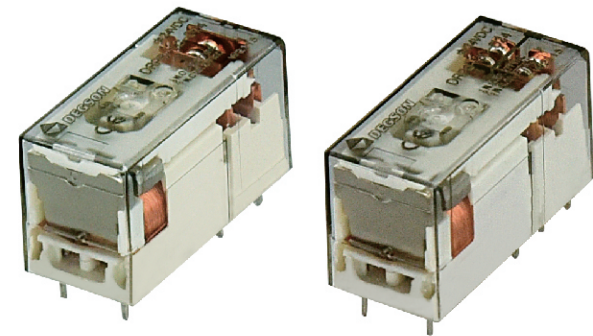
Supporting relays and accessories

Product type	Relay	Short splice
DPRF05A-E1	DRPS-1C-D12/D24	DBA20-6-12-00A(H) Color: blue
DPRF05B-E1/DPRF05E-E1	DRPS-1C-D60	DBA20-6-13-00A(H) Color: black
DPRF05D-E1	DRPS-1C-D48/D60	DBA20-6-16-00A(H) Color: red
DPRF05W-E1	DRPS-1C-D24	
Popular Assembled module		24VDC: DRPSP-1C-D24-06A(H) 220/230VAC: DRPSP-1C-A220-06A(H)

Overall Dimensions, Wiring Diagrams

DPRF05X-E1





DRPB-1C

DRPB-1CH/DRPB-2C

Features

- Small size, 1C:12A, 1CH:16A, 2C:8A switching power.
- Multiple sockets optional.
- Green product **RoHS**.

Performance Parameters

Contact parameters

Contact form	1C, 1CH, 2C
Contact material	Ag alloy
Resistive load	1C: 12A 1CH: 16A@277VAC/30VDC 2C: 8A@277VAC/30VDC
Motor load	1CH: 1/3HP@240VAC 2C: 1/6HP@240VAC
Switch power	1CH: 4000VA, 480W 2C: 2000VA, 240W
Contact resistance (Initial)	<50mΩ
Electrical life (1.5s on/1.5s off)	>1x10 ⁵ (1200 Ops/h)
Mechanical life (300cycles/min)	>1x10 ⁷ (18000 Ops/h)

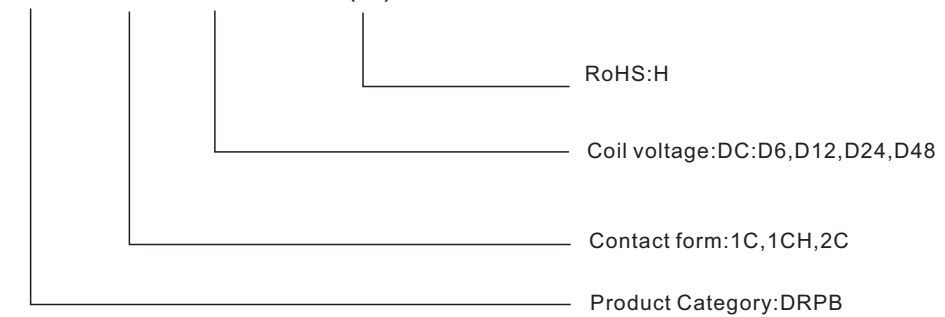
Coil parameters

Rated voltage (DC)	DC6V	DC12V	DC24V	DC48V
Rated resistance (±10%)	90Ω	360Ω	1440Ω	5760Ω
Operate voltage	DC: ≤75% (Rated voltage)			
Release voltage	DC: ≥5% (Rated voltage)			
Max input voltage	110% (Rated voltage)			
Coil power	0.40W			
Operate time	<20ms			
Release time	<10ms			

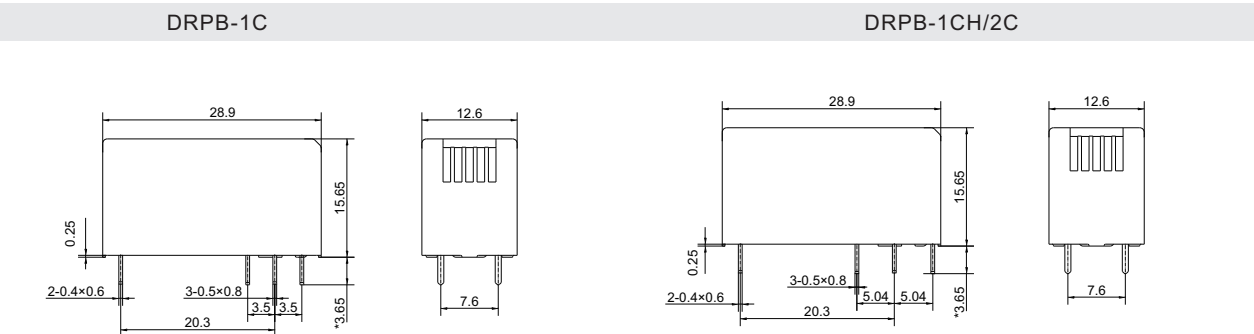
Universal parameters

Insulation resistance	1000MΩ(500VDC)
Dielectric voltage	
Between contacts	1000VAC/1min
Between contacts (different pole)	3000VAC/1min
Between contacts and coil	5000VAC/1min
Shock withstanding	10G (Half sine wave pulse 11ms)
Vibration withstanding	10-55Hz (Double amplitude 1.0mm)
Ambient temperature	-25...+70°C
Ambient humidity	35%~80%RH
Weight	17g
Matching socket	1C: DSRC05A series ; 1CH/2C: DSRC08A series

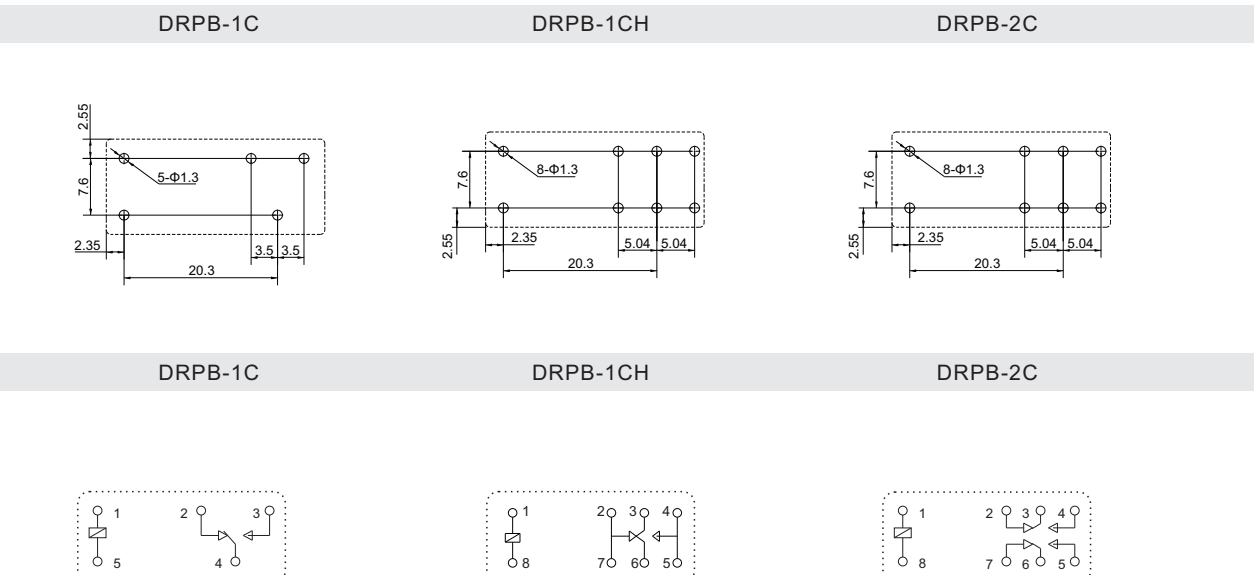
DRPB - 2C - D24 - 06A(H)

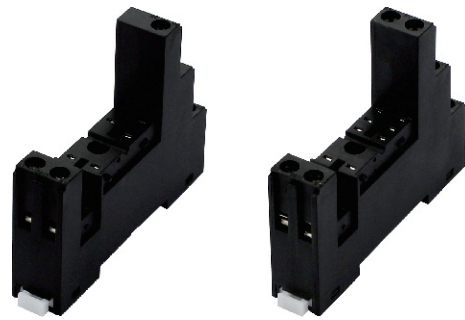


Overall Dimensions



Installation Diagrams, Wiring Diagrams



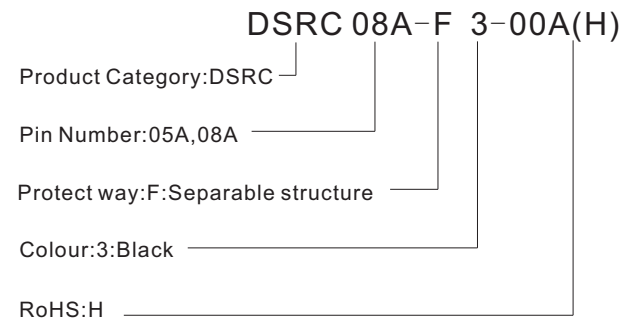


DSRC05A-F3

DSRC08A-F3

Features

- Separable socket,05A:10A,08A:7A.
- Green product RoHS.



Performance Parameters

Technical parameters

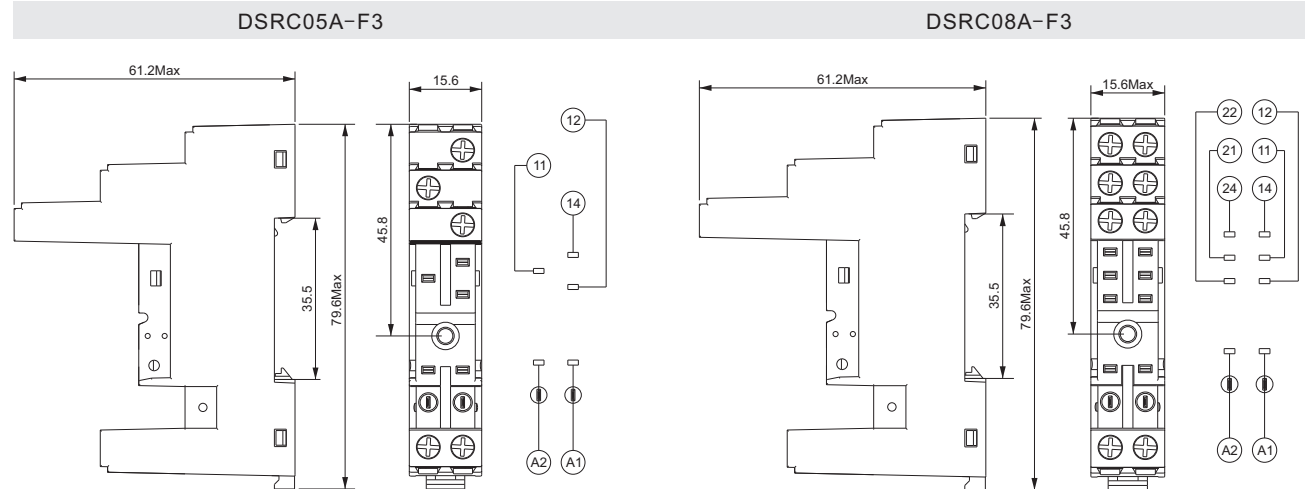
Product type	DSRC05A-F3	DSRC08A-F3
Rated current	12A	10A
Rated voltage	300V	
Coil/Contact dielectric voltage	2500V/S	
Dielectric voltage between contact	2500V/S	
Screw torque	1.0Nm	
External connection wire	20-14AWG/0.5-2.5mm ²	
Ambient temperature	-40~+65°C	
Weight	22g	27g

Supporting relays and accessories

Product type	Relay	Module	Plastic pull clasp	Metal clamp spring
DSRC05A-F3	DRPB-1C	DMD	Wear	—
DSRC08A-F3	DRPB-1CH/DRPB-2C	DMD	Wear	—

Popular Assembled module 24VDC 1×SPDT: DRPBS-1CH-LD-D24-06A(H) 24VDC 2×SPDT: DRPBS-2C-LD-D24-06A(H)

Overall Dimensions, Wiring Diagrams

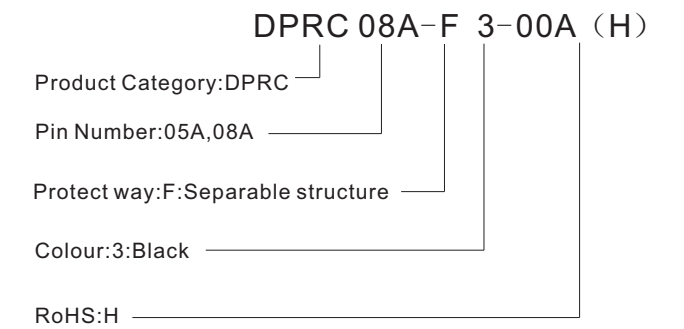


DPRC05A-F3

DPRC08A-F3

Features

- Protective socket,08A:12A,14A:10A.
- Push-in connection
- Green product RoHS.



Performance Parameters

Technical parameters

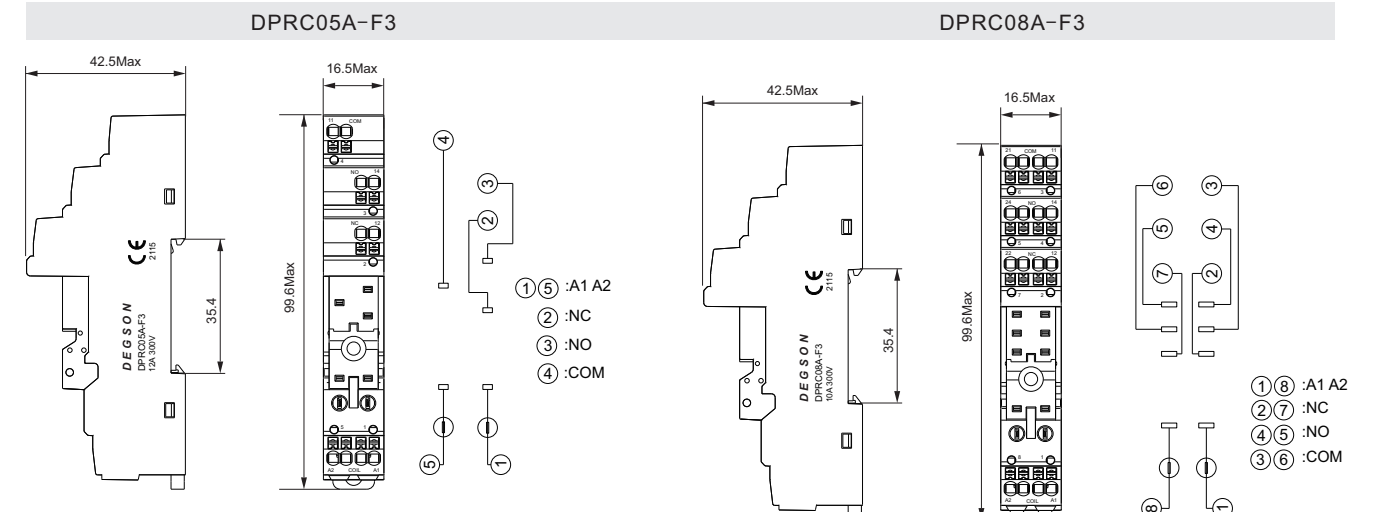
Product type	DPRC05A-F3	DPRC08A-F3
Rated current	12A	10A
Rated voltage	300V	
Coil/Contact dielectric voltage	4000V/S	
Dielectric voltage between contact	2500V/S	
External connection wire	22-14AWG/0.25-2.5mm ²	
Ambient temperature	-45~+85°C	
Weight	36g	42.6g

Supporting relays and accessories

Product type	Relay	Module	Plastic pull clasp	Metal clamp spring
DPRC05A-F3	DRPB-1C	DMD	Wear	—
DPRC08A-F3	DRPB-1CH / DRPB-2C	DMD	Wear	—

Popular Assembled module 24VDC 1×SPDT: DRPBP-1CH-LD-D24-06A(H) 24VDC 2×SPDT: DRPBP-2C-LD-D24-06A(H)

Overall Dimensions, Wiring Diagrams





DRPT-1C



DRPT-2C

Features

- Small size, 1C:12A,2C:8A switching power.
- Multiple sockets optional.
- With test button ,diode and LED.
- Green product RoHS .

Performance Parameters

Contact parameters

Contact form	1C,2C	
Contact material	Ag alloy	
Resistive load	1C:12A@277VAC/30VDC	2C:8A@277VAC/30VDC
Motor load	1C:1/2HP@250VAC	2C:1/3HP@250VAC
Switch power	1C:3324VA/360W	2C:2216VA/240W
Contact resistance(Initial)	≤100mΩ	
Electrical life(1s on/1s off)	>1x10 ⁵ (1800 Ops/h)	
Mechanical life(300cycles/min)	>1x10 ⁷ (18000 Ops/h)	

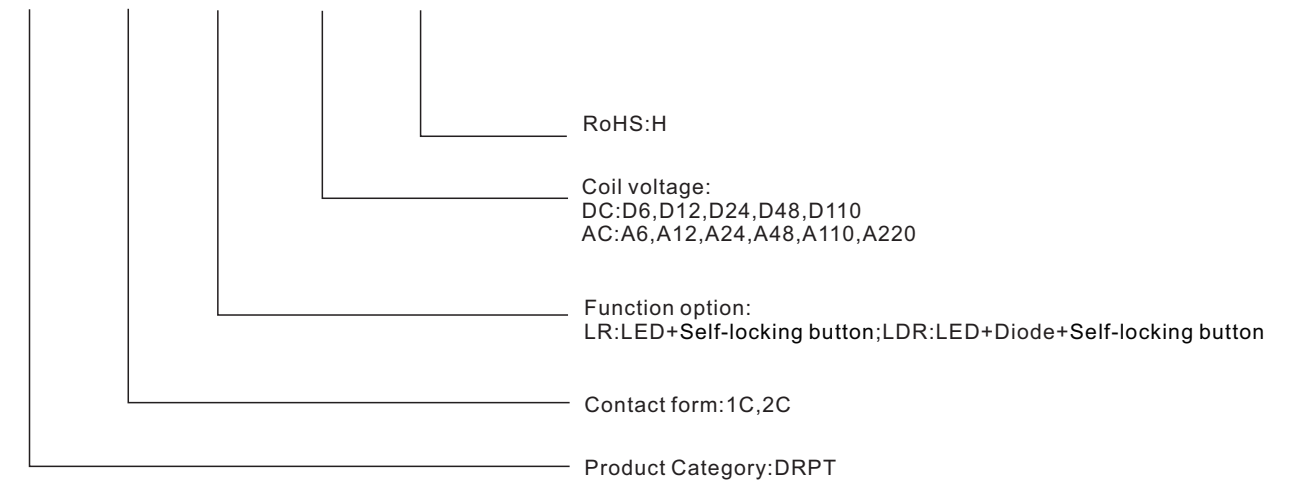
Coil parameters

Rated voltage (DC)	DC6V	DC12V	DC24V	DC48V	DC110V	
Rated resistance(±10%)	68Ω	272Ω	1087Ω	4347Ω	22830Ω	
Rated voltage (AC)	AC6V	AC12V	AC24V	AC48V	AC100-110V	AC220-240V
Rated resistance(±10%)	15.8Ω	63Ω	252Ω	1008Ω	5294Ω	23144Ω
Operate voltage	DC:≤75%(Rated voltage);AC:≤80%(Rated voltage)					
Release voltage	DC:≥10%(Rated voltage);AC:≥30%(Rated voltage)					
Max input voltage	110%(Rated voltage)					
Coil power	0.53W/0.8-1.0VA					
Operate time	<20ms					
Release time	<10ms					

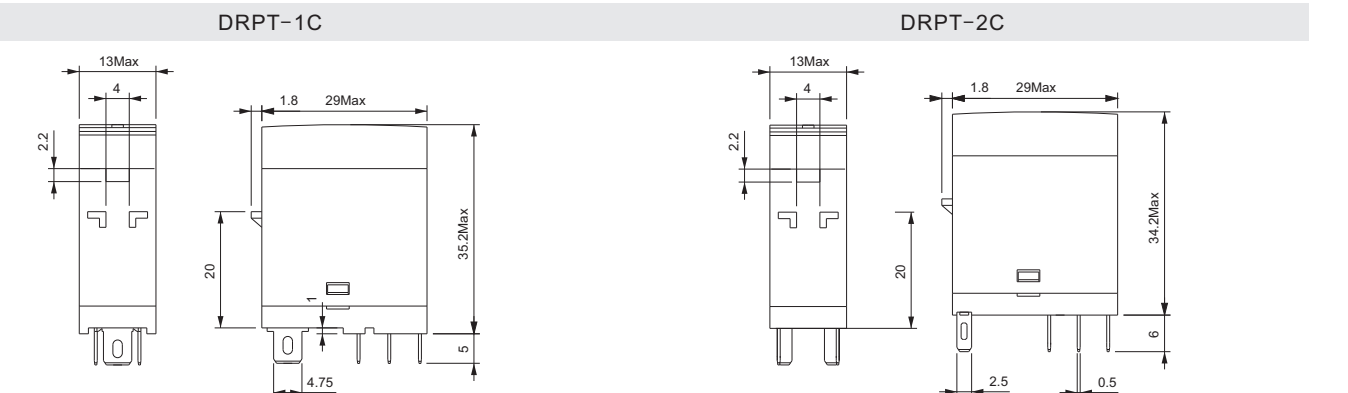
Universal parameters

Insulation resistance	1000MΩ(500VDC/min)
Dielectric voltage	
Between contacts	1000VAC/1min
Between contacts(different pole)	1000VAC/1min
Between contacts and coil	5000VAC/1min
Shock withstanding	10G(Half sine wave pulse 11ms)
Vibration withstanding	10-55Hz(Double amplitude 1.0mm)
Ambient temperature	-40...+85°C
Ambient humidity	45%~75%RH
Weight	25g
Matching socket	1C:DSRT05A series ; 2C:DSRT08A series

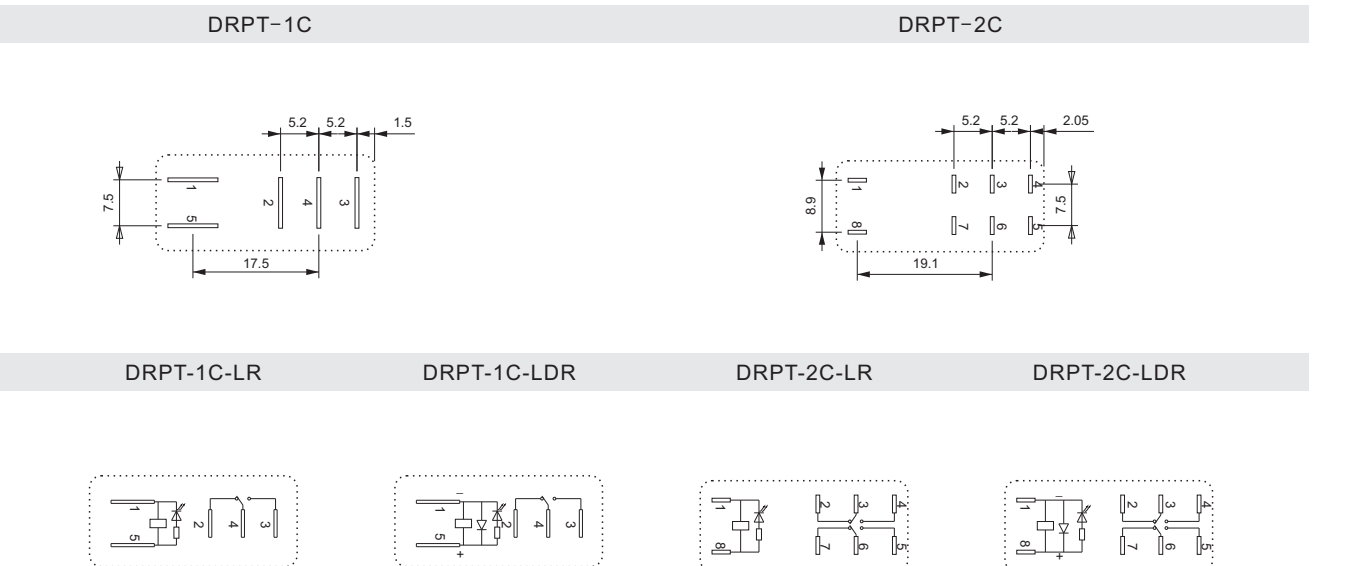
DRPT - 2C - LR - D24 - 02A (H)

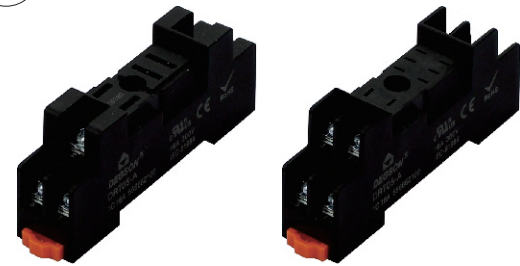


Overall Dimensions



Installation Diagrams, Wiring Diagrams





DSRT05A-3

DSRT08A-3

Features

- General socket,05A:16A,08A:10A.
- Green product RoHS.

DSRT 08A-3-00A (H)

Product Category:DSRT

Pin Number:05A,08A

Colour:3:Black

RoHS:H

Performance Parameters

Technical parameters

Product type	DSRT05A-3	DSRT08A-3
Rated current	16A	10A
Rated voltage	300V	
Coil/Contact dielectric voltage	4000V/S	
Dielectric voltage between contact	2500V/S	
Screw torque	1.0Nm	
External connection wire	20-14AWG/0.5-2.5mm ²	
Ambient temperature	-45~+85°C	
Weight	22g	27g

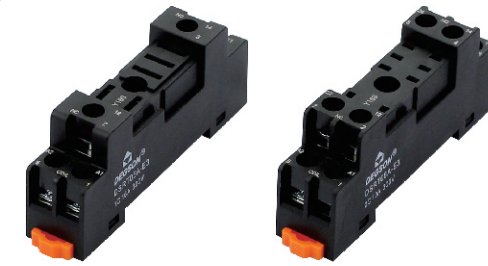
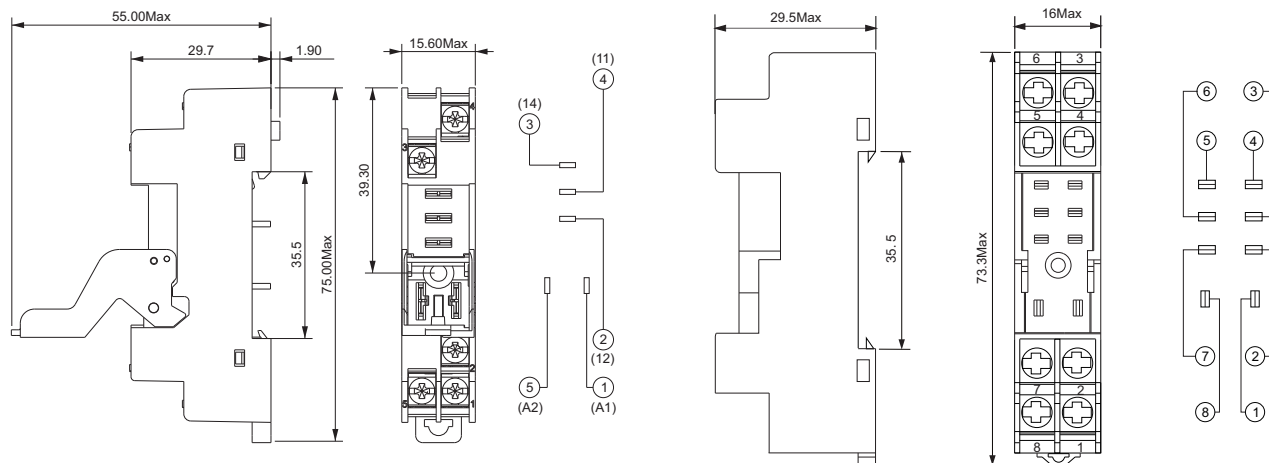
Supporting relays and accessories

Product type	Relay	Module	Plastic pull clasp	Metal clamp spring
DSRT05A-3	DRPT-1C	—	Wear	—
DSRT08A-3	DRPT-2C	—	Wear	—

Overall Dimensions, Wiring Diagrams

DSRT05A-3

DSRT08A-3



DSRT05A-E3

DSRT08A-E3

Features

- Protective socket,05A:16A,08A:10A.
- Green product RoHS.

DSRT 08A-E 3-00A (H)

Product Category:DSRT

Pin Number:05A,08A

Protect way:E:Protective structure

Colour:3:Black

RoHS:H

Performance Parameters

Technical parameters

Product type	DSRT05A-E3	DSRT08A-E3
Rated current	16A	10A
Rated voltage	300V	
Coil/Contact dielectric voltage	2000V/S	
Dielectric voltage between contact	2000V/S	
Screw torque	1.0Nm	
External connection wire	20-14AWG/0.5-2.5mm ²	
Ambient temperature	-40~+65°C	
Weight	22g	27g

Supporting relays and accessories

Product type	Relay	Module	Plastic pull clasp	Metal clamp spring
DSRT05A-E3	DRPT-1C	—	Wear	—
DSRT08A-E3	DRPT-2C	—	Wear	—

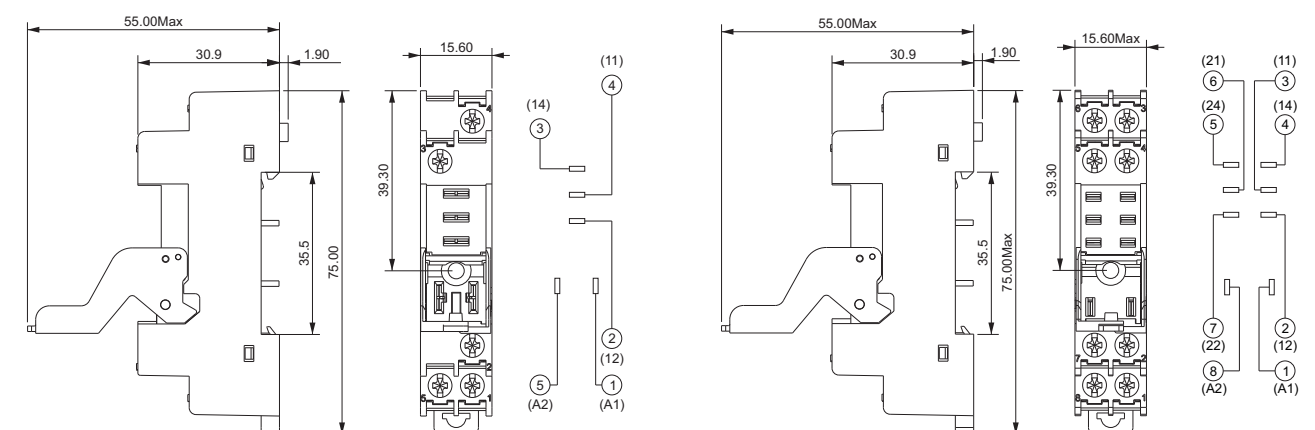
Popular Assembled module

24VDC 1×SPDT: DRPTS-1C-D24-02A(H) 220/230VAC 1×SPDT: DRPTS-1C-A220-02A(H)
24VDC 2×SPDT: DRPTS-2C-D24-02A(H) 220/230VAC 2×SPDT: DRPTS-2C-A220-02A(H)

Overall Dimensions, Wiring Diagrams

DSRT05A-E3

DSRT08A-E3



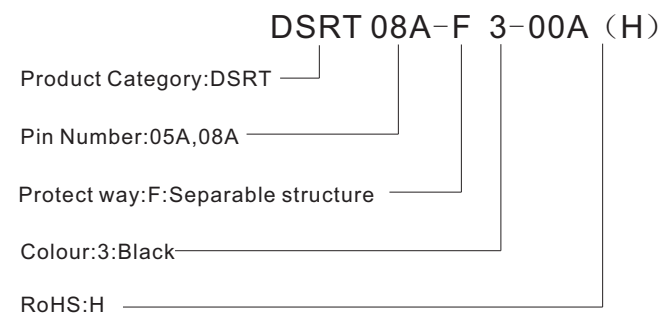


DSRT05A-F3

DSRT08A-F3

Features

- Separable socket,05A:16A,08A:10A.
- Green product RoHS.



Performance Parameters

Technical parameters

Product type	DSRT05A-F3	DSRT08A-F3
Rated current	16A	10A
Rated voltage	300V	
Coil/Contact dielectric voltage	4000V/S	
Dielectric voltage between contact	2500V/S	
Screw torque	1.0Nm	
External connection wire	20-14AWG/0.5-2.5mm ²	
Ambient temperature	-45~+85°C	
Weight	22g	27g

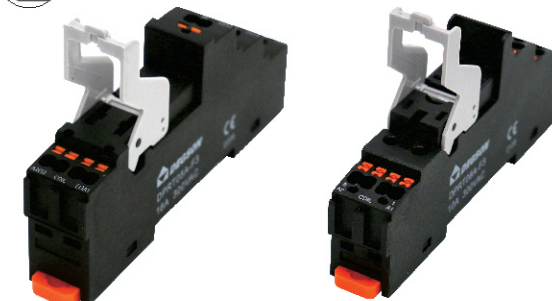
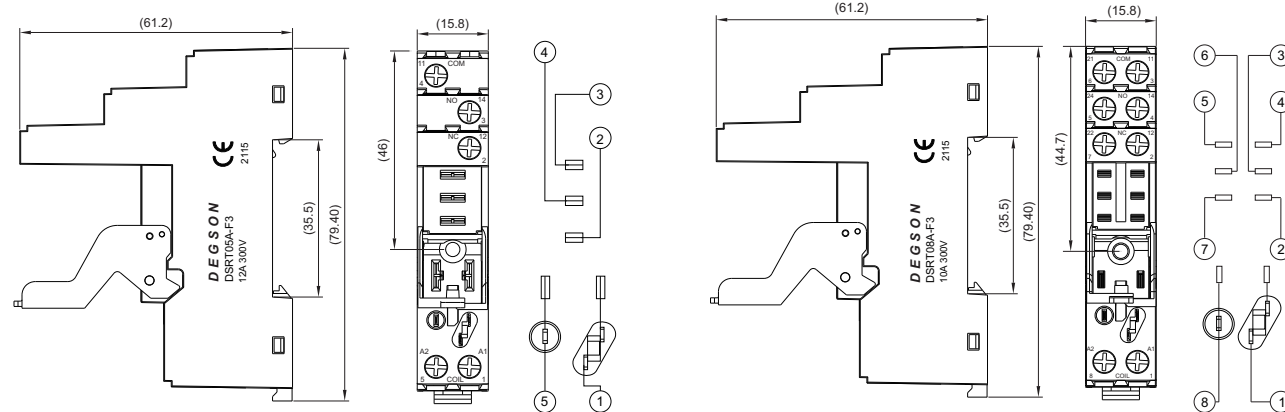
Supporting relays and accessories

Product type	Relay	Module	Plastic pull clasp	Metal clamp spring
DSRT05A-F3	DRPT-1C	DMD	Wear	—
DSRT08A-F3	DRPT-2C	DMD	Wear	—

Overall Dimensions, Wiring Diagrams

DSRT05A-F3

DSRT08A-F3

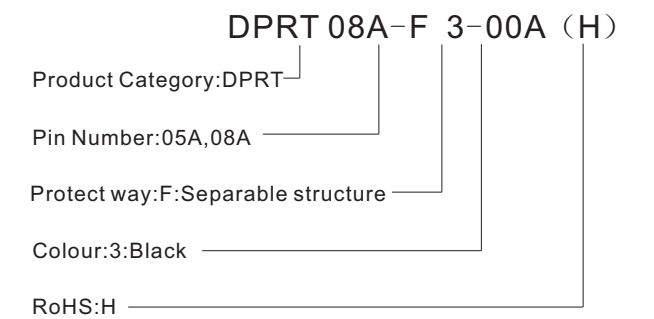


DPRT05A-F3

DPRT08A-F3

Features

- Push-in connection, general socket,05A:16A,08A:10A.
- Green product RoHS.



Performance Parameters

Technical parameters

Product type	DPRT05A-F3	DPRT08A-F3
Rated current	16A	10A
Rated voltage	300V	
Coil/Contact dielectric voltage	4000V/S	
Dielectric voltage between contact	2500V/S	
External connection wire	20-14AWG/0.5-2.5mm ²	
Ambient temperature	-45~+85°C	
Weight	32g	42g

Supporting relays and accessories

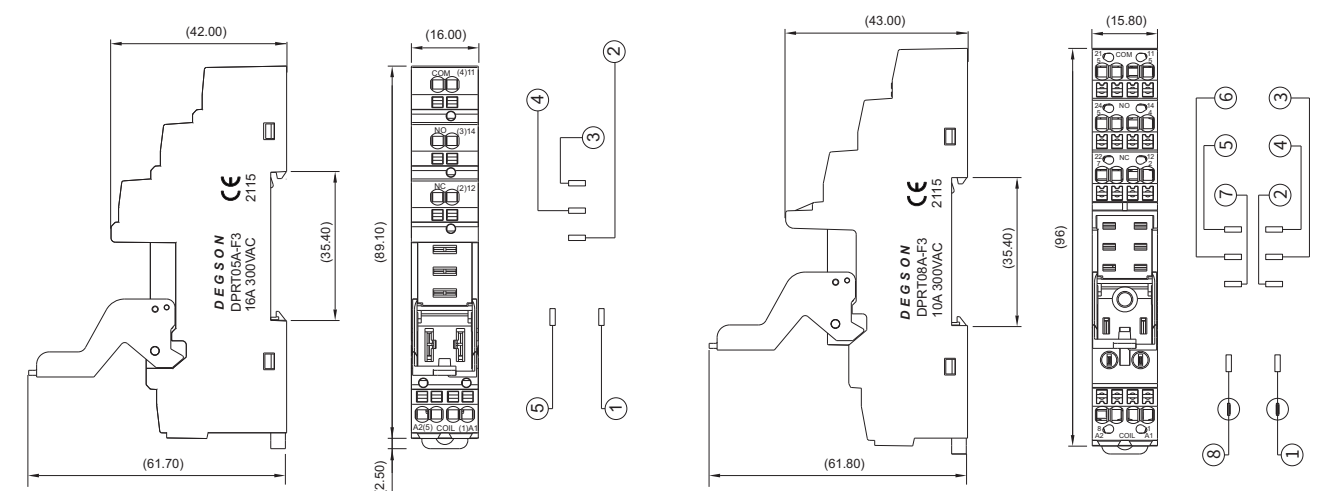
Product type	Relay	Module	Plastic pull clasp	Metal clamp spring
DPRT05A-F3	DRPT-1C	DMD	Wear	—
DPRT08A-F3	DRPT-2C	DMD	Wear	—

Popular Assembled module	24VDC 1×SPDT: DRPTP-1C-D24-02A(H) 24VDC 2×SPDT: DRPTP-2C-D24-02A(H)	220/230VAC 1×SPDT: DRPTP-1C-A220-02A(H) 220/230VAC 2×SPDT: DRPTP-2C-A220-02A(H)
--------------------------	--	--

Overall Dimensions, Wiring Diagrams

DPRT05A-F3

DPRT08A-F3





DRPE-2CH



DRPE-4C

Features

- Small size, 2CH:10A, 4C:5A switching power.
- Multiple sockets optional.
- With test button and instruction window.
- Green product **RoHS**.

Performance Parameters
Contact parameters

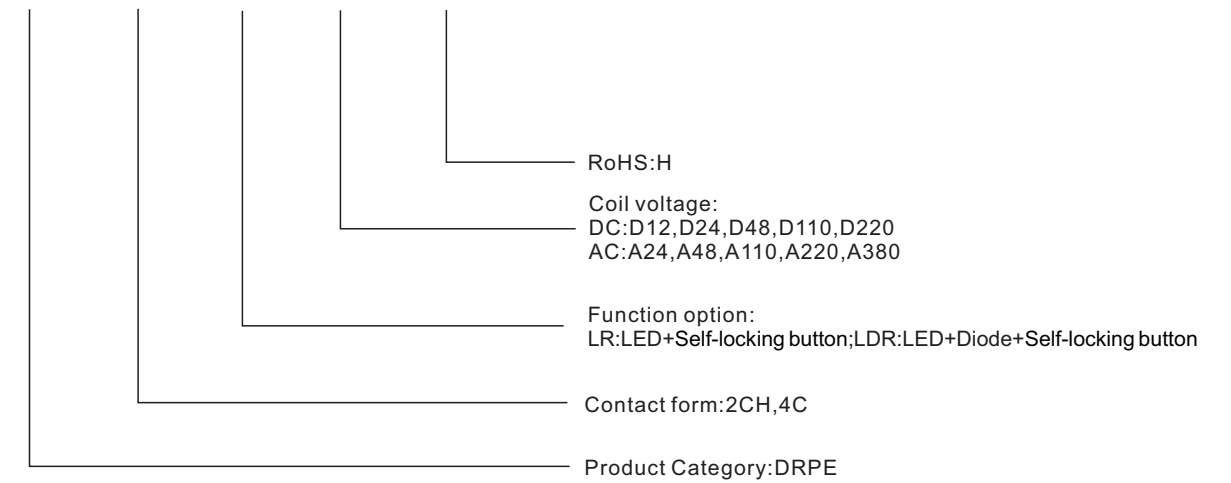
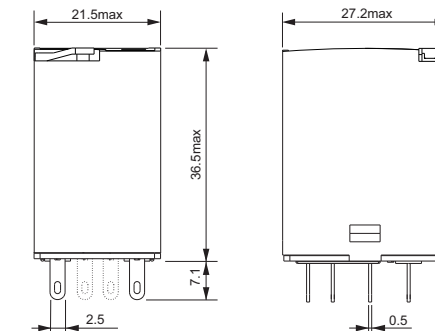
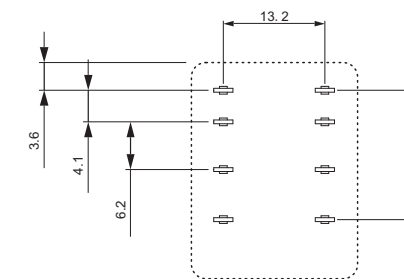
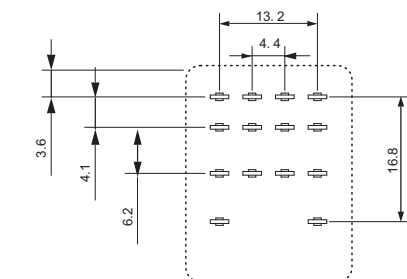
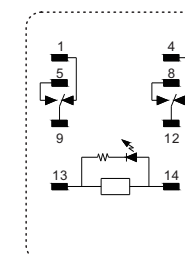
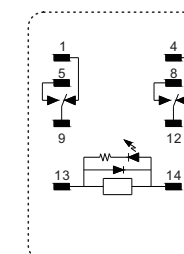
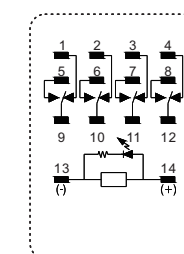
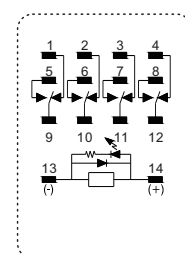
Contact form	2CH, 4C	
Contact material	Ag alloy	
Resistive load	2CH:10A@240VAC/28VDC	4C:5A@240VAC/28VDC
Switch power	2CH:2400VA/280W	4C:1200VA/140W
Contact resistance(Initial)	<50mΩ	
Electrical life(1s on/1s off)	>1x10 ⁵ (1800 Ops/h)	
Mechanical life(300cycles/min)	>1x10 ⁷ (18000 Ops/h)	

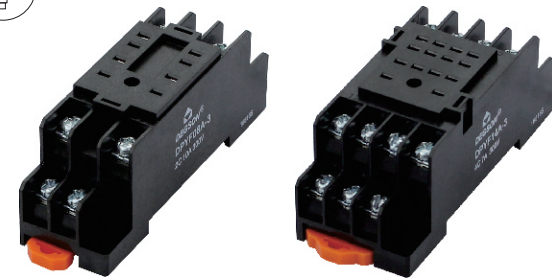
Coil parameters

Rated voltage (DC)	DC12V	DC24V	DC48V	DC110V	DC220V
Rated resistance(±10%)	160Ω	640Ω	2560Ω	13000Ω	53777Ω
Rated voltage (AC)	AC24V	AC48V	AC110V	AC220V	AC380V
Rated resistance(±10%)	168Ω	672Ω	3529Ω	14116Ω	42116Ω
Operate voltage	DC:≤75%(Rated voltage); AC:≤80%(Rated voltage)				
Release voltage	DC:≥10%(Rated voltage); AC:≥30%(Rated voltage)				
Max input voltage	110%(Rated voltage)				
Coil power	0.9W/1.2VA				
Operate time	<20ms				
Release time	<20ms				

Universal parameters

Insulation resistance	1000MΩ(500VDC)
Dielectric voltage	
Between contacts	1000VAC/1min
Between contacts(different pole)	1500VAC/1min
Between contacts and coil	1500VAC/1min
Shock withstanding	10G(Half sine wave pulse 11ms)
Vibration withstanding	10-55Hz(Double amplitude 1.0mm)
Ambient temperature	-25...+55°C
Ambient humidity	45%~75%RH
Weight	35g
Matching socket	2CH:DPYF08A series DPKF08A series ; 4C:DPYF14A series DPKF14A series

DRPE - 2CH -LR - D24 - 07A (H)

Overall Dimensions
DRPE-2CH/4C

Installation Diagrams, Wiring Diagrams
DRPE-2CH

DRPE-4C

DRPE-2CH-LR

DRPE-2CH-LDR

DRPE-4C-LR

DRPE-4C-LDR


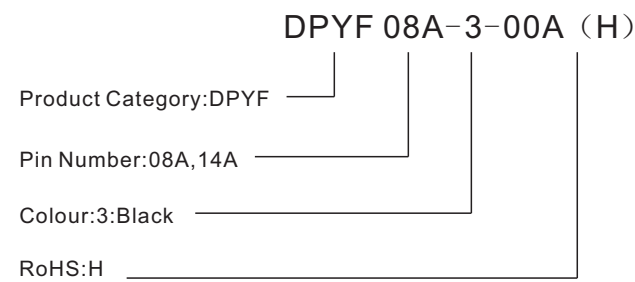


DPYF08A-3

DPYF14A-3

Features

- General socket,08A:10A, 14A:7A.
- Green product RoHS.



Performance Parameters

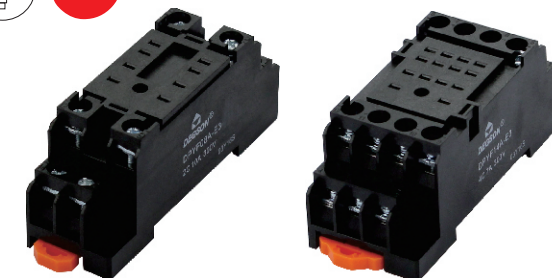
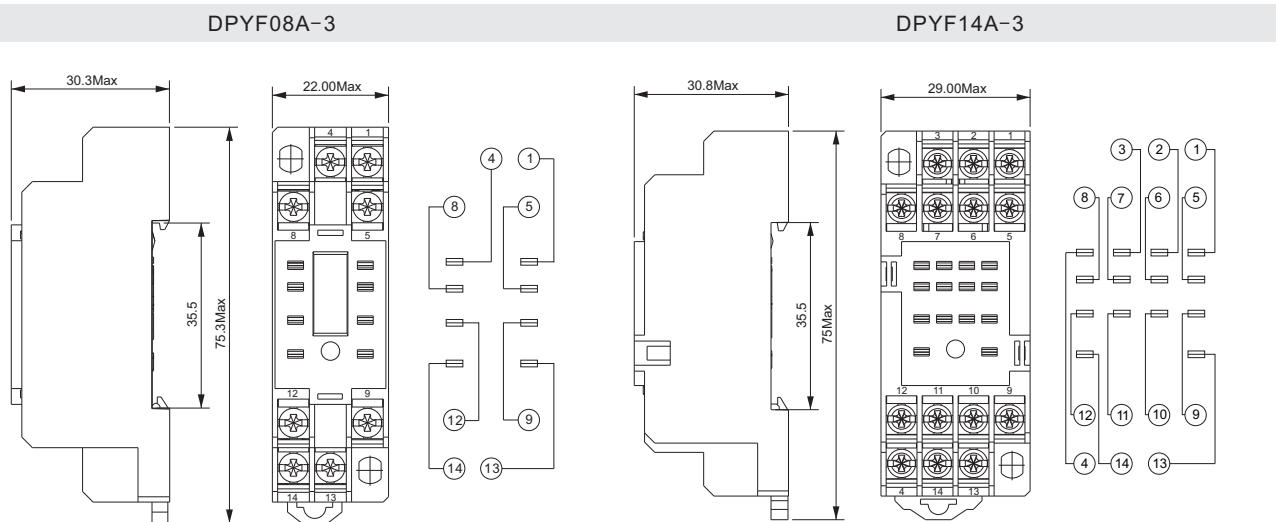
Technical parameters

Product type	DPYF08A-3	DPYF14A-3
Rated current	10A	7A
Rated voltage	300V	
Coil/Contact dielectric voltage	2000V/S	
Dielectric voltage between contact	2000V/S	
Screw torque	1.0Nm	
External connection wire	20-14AWG/0.5-2.5mm ²	
Ambient temperature	-40~+65°C	
Weight	34g	56g

Supporting relays and accessories

Product type	Relay	Module	Plastic pull clasp	Metal clamp spring
DPYF08A-3	DRPE-2CH	—	—	Wear
DPYF14A-3	DRPE-4C	—	—	Wear

Overall Dimensions, Wiring Diagrams

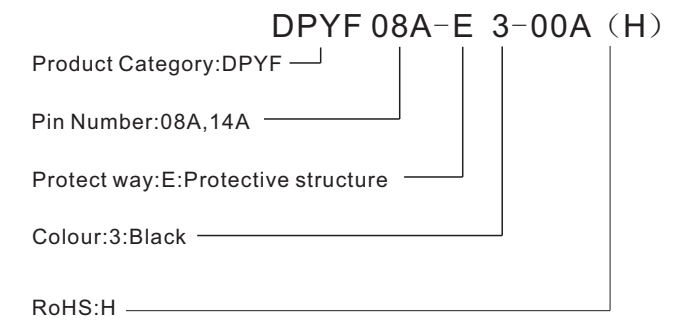


DPYF08A-E3

DPYF14A-E3

Features

- Protective socket,08A:10A, 14A:7A.
- Green product RoHS.



Performance Parameters

Technical parameters

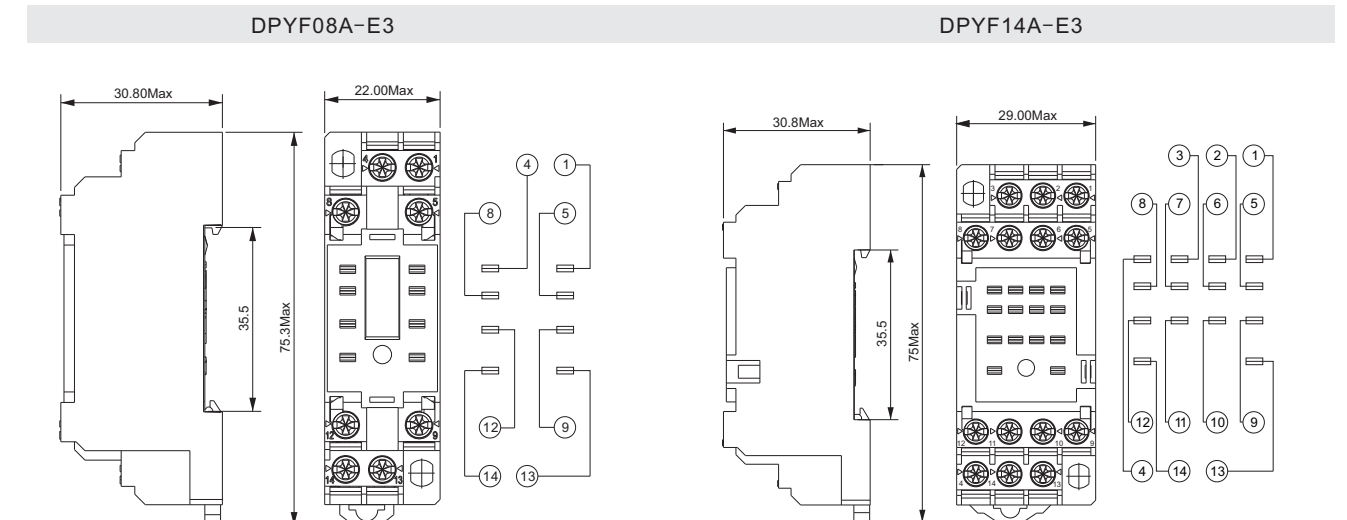
Product type	DPYF08A-E3	DPYF14A-E3
Rated current	10A	7A
Rated voltage	300V	
Coil/Contact dielectric voltage	2000V/S	
Dielectric voltage between contact	2000V/S	
Screw torque	1.0Nm	
External connection wire	20-14AWG/0.5-2.5mm ²	
Ambient temperature	-40~+65°C	
Weight	34g	56g

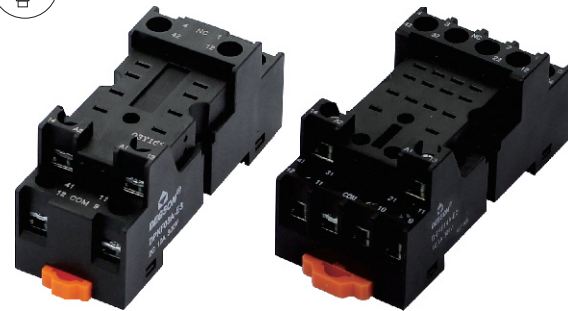
Supporting relays and accessories

Product type	Relay	Module	Plastic pull clasp	Metal clamp spring
DPYF08A-E3	DRPE-2CH	—	—	Wear
DPYF14A-E3	DRPE-4C	—	—	Wear

Popular Assembled module	24VDC 2*SPDT: DRPES-2CH-D24-07A(H)	220/230VAC 2*SPDT: DRPES-2CH-A220-07A(H)
	24VDC 4*SPDT: DRPES-4C-D24-07A(H)	220/230VAC 4*SPDT: DRPES-4C-A220-07A(H)

Overall Dimensions, Wiring Diagrams



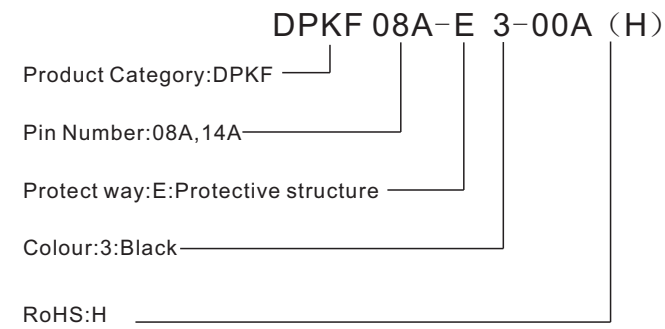


DPKF08A-E3

DPKF14A-E3

Features

- Protective socket,08A:12A, 14A:10A.
- Green product RoHS.



Performance Parameters

Technical parameters

Product type	DPKF08A-E3	DPKF14A-E3
Rated current	12A	10A
Rated voltage	300V	
Coil/Contact dielectric voltage	2500V/S	
Dielectric voltage between contact	2500V/S	
Screw torque	1.0Nm	
External connection wire	20-14AWG/0.5-2.5mm ²	
Ambient temperature	-40~+85°C	
Weight	35g	45g

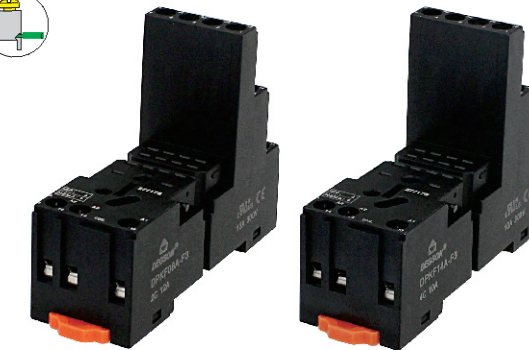
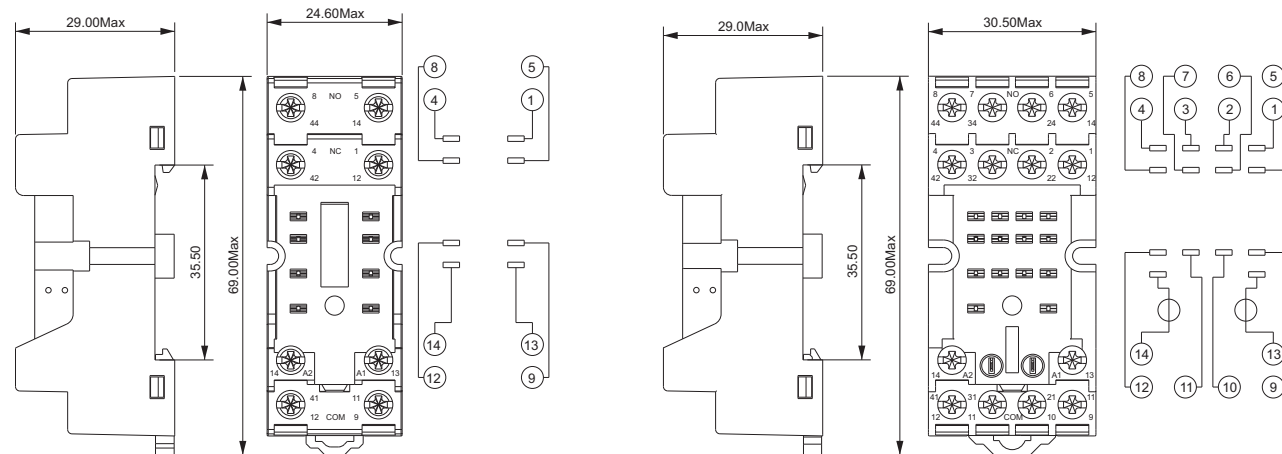
Supporting relays and accessories

Product type	Relay	Module	Plastic pull clasp	Metal clamp spring
DPKF08A-E3	DRPE-2CH	—	—	T-35A
DPKF14A-E3	DRPE-4C	DMD	—	T-35A

Overall Dimensions, Wiring Diagrams

DPKF08A-E3

DPKF14A-E3

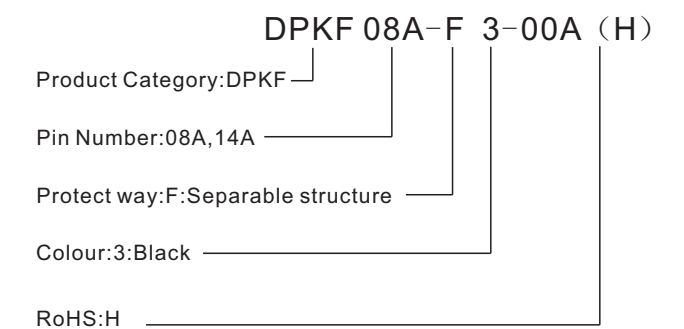


DPKF08A-F3

DPKF14A-F3

Features

- Separable structure socket,08A:12A, 14A:10A.
- Green product RoHS.



Performance Parameters

Technical parameters

Product type	DPKF08A-F3	DPKF14A-F3
Rated current	12A	10A
Rated voltage	300V	
Coil/Contact dielectric voltage	4000V/S	
Dielectric voltage between contact	2500V/S	
Screw torque	1.0Nm	
External connection wire	20-14AWG/0.5-2.5mm ²	
Ambient temperature	-40~+85°C	
Weight	50g	62g

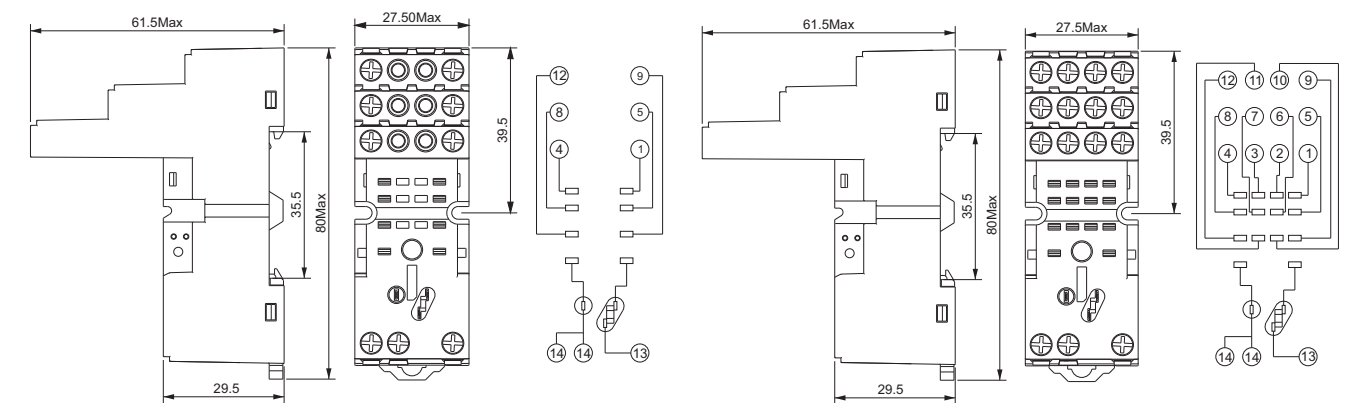
Supporting relays and accessories

Product type	Relay	Module	Plastic pull clasp	Metal clamp spring
DPKF08A-F3	DRPE-2CH	DMD	Wear	—
DPKF14A-F3	DRPE-4C	DMD	Wear	—

Overall Dimensions, Wiring Diagrams

DPKF08A-F3

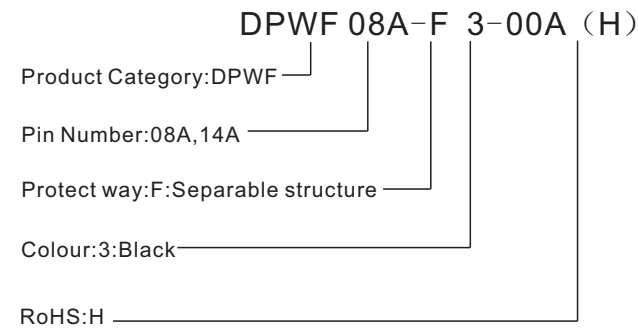
DPKF14A-F3





Features

- Separable socket,08A:12A,14A:10A.
- Push-in connection
- Green product RoHS.



Performance Parameters

Technical parameters

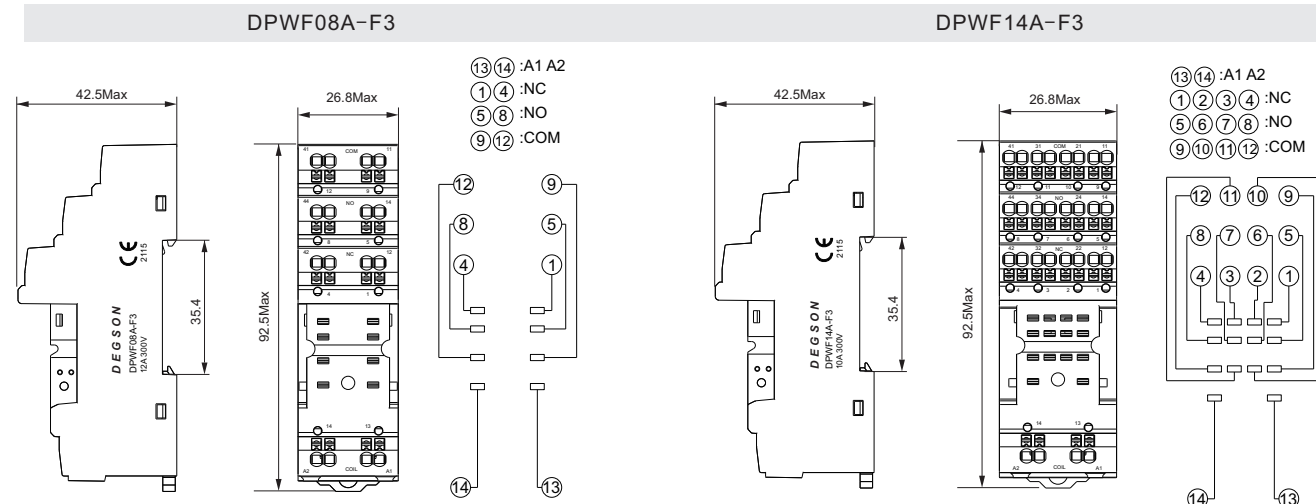
Product type	DPWF08A-F3	DPWF14A-F3
Rated current	12A	10A
Rated voltage	300V	
Coil/Contact dielectric voltage	4000V/S	
Dielectric voltage between contact	2500V/S	
External connection wire	22-14AWG/0.25-2.5mm ²	
Ambient temperature	-45~+85°C	
Weight	56.2g	70.5g

Supporting relays and accessories

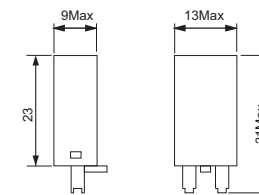
Product type	Relay	Module	Plastic pull clasp	Metal clamp spring
DPWF08A-F3	DRPE-2CH	—	Wear	—
DPWF14A-F3	DRPE-4C	—	Wear	—

Popular Assembled module	24VDC 2×SPDT: DRPEP-2CH-D24-07A(H) 24VDC 4×SPDT: DRPEP-4C-D24-07A(H)	220/230VAC 2×SPDT: DRPEP-2CH-A220-07A(H) 220/230VAC 4×SPDT: DRPEP-4C-A220-07A(H)
--------------------------	---	---

Overall Dimensions, Wiring Diagrams

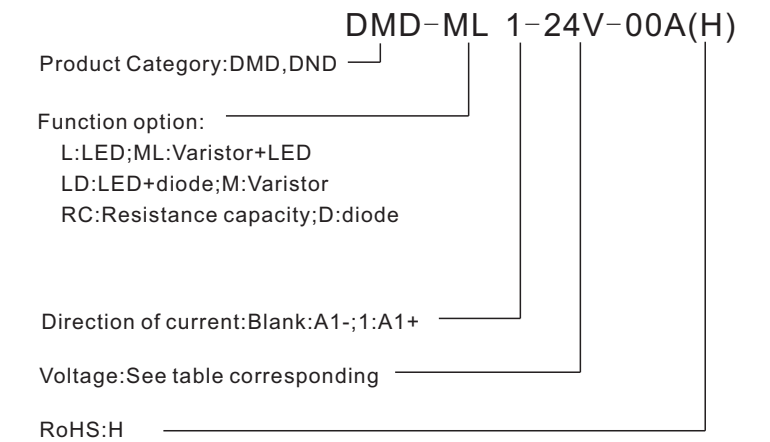


DMD



Features

- Peak voltage inhibit, over voltage protection, voltage indicator.
- Green product RoHS.



Function	L	D	LD	ML	M	RC	L1	D1	LD1	ML1
Wiring diagrams										
Voltage option	6/24V 110/240V	Blank (6-250V)	6/24V 110/240V	24V 120V 240V	24V 120V 240V	6/24V 110/240V	6/24V 110/240V	Blank (6-250V)	6/24V 110/240V	24V 120V 240V

Compatible with following series sockets

DRPB	DRPT	DRPE
DSRC05A-F3	DSRT05A-F3	DPKF08A-E3
DSRC08A-F3	DSRT08A-F3	DPKF14A-E3
DPRC05A-F3	DPRT05A-F3	DPKF08A-F3
DPRC08A-F3	DPRT08A-F3	DPKF14A-F3



DRPL-2C



DRPL-4C

Features

- High power, 10A switching power.
- Multiple sockets optional.
- Various specification, LED is optional.
- Green product RoHS.

Performance Parameters

Contact parameters

Contact form	2C, 4C
Contact material	AgNi, AgSnO
Resistive load	10A@250VAC/28VDC
Motor load	2C: 1/3HP@240VAC 4C: 1/6HP@240VAC
Switch power	2500VA, 300W
Contact resistance (Initial)	<50mΩ
Electrical life (1s on/1s off)	>1x10 ⁵ (1800 Ops/h)
Mechanical life (300cycles/min)	>1x10 ⁷ (18000 Ops/h)

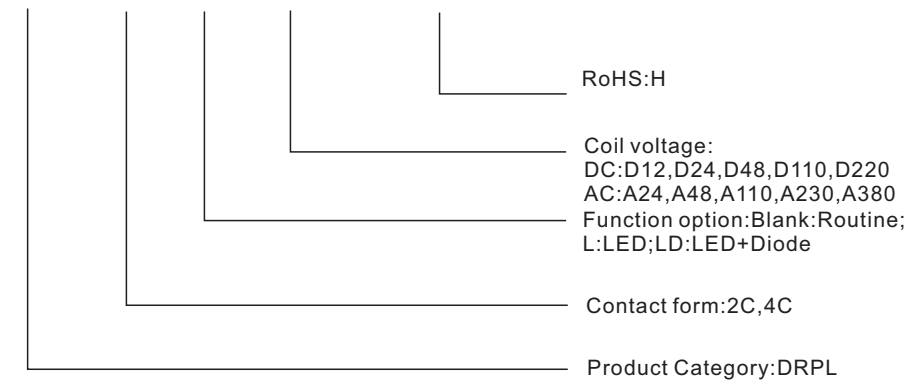
Coil parameters

	DC12V	DC24V	DC48V	DC110V	DC220V
Rated voltage (DC)	12V	24V	48V	110V	220V
Rated resistance (±10%)	2C: 180Ω 4C: 96Ω	640Ω 360Ω	2600Ω 1540Ω	13000Ω 6800Ω	42000Ω 29000Ω
Rated voltage (AC)	AC24V	AC48V	AC110V	AC230V	AC380V
Rated resistance (±10%)	2C: 180Ω 4C: 80Ω	640Ω 320Ω	4430Ω 1680Ω	16500Ω 8000Ω	42000Ω 20000Ω
Operate voltage	DC: ≤75% (Rated voltage); AC: ≤80% (Rated voltage)				
Release voltage	DC: ≥10% (Rated voltage); AC: ≥30% (Rated voltage)				
Max input voltage	110% (Rated voltage)				
Coil power	2C: 0.9W/1.2VA ; 4C: 1.5W/2.5VA				
Operate time	<20ms				
Release time	<20ms				

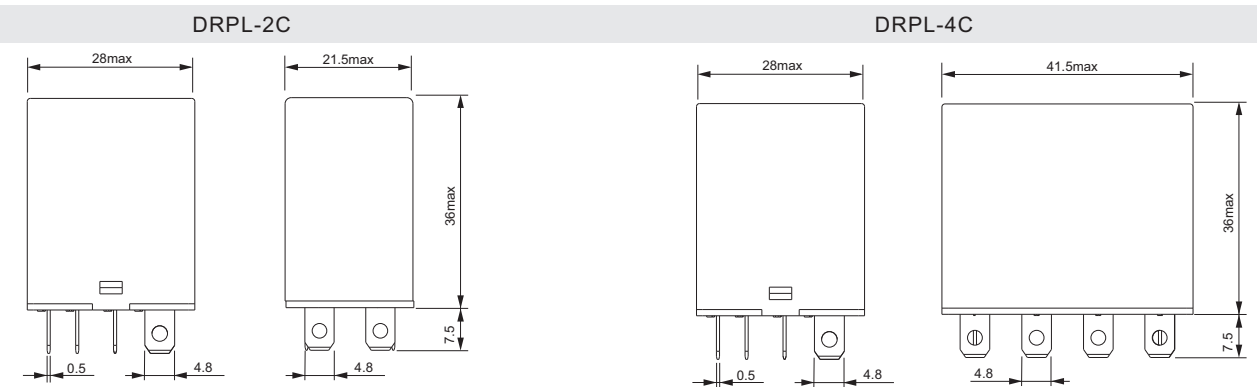
Universal parameters

Insulation resistance	500MΩ(500VDC)
Dielectric voltage	
Between contacts	1000VAC/1min
Between contacts (different pole)	2000VAC/1min
Between contacts and coil	2000VAC/1min
Shock withstanding	10G (Half sine wave pulse 11ms)
Vibration withstanding	10-55Hz (Double amplitude 1.0mm)
Ambient temperature	-40...+70°C
Ambient humidity	35%~85%RH
Weight	35g
Matching socket	2C: DPTF08A series ; 4C: DPTF14A series

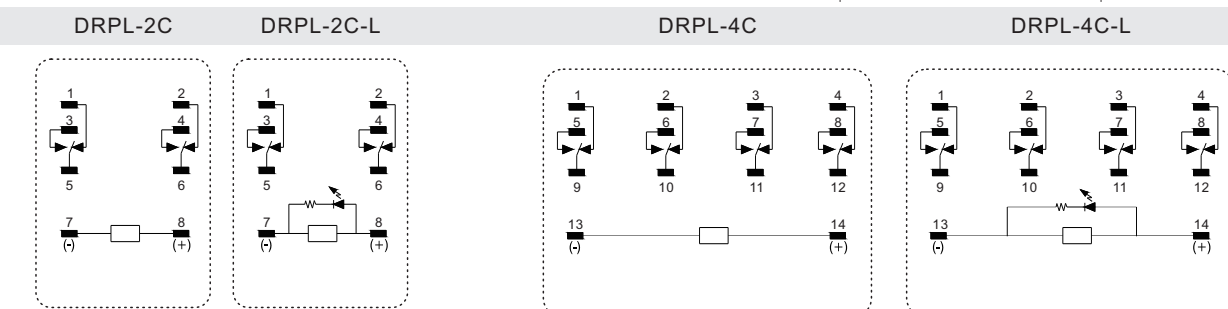
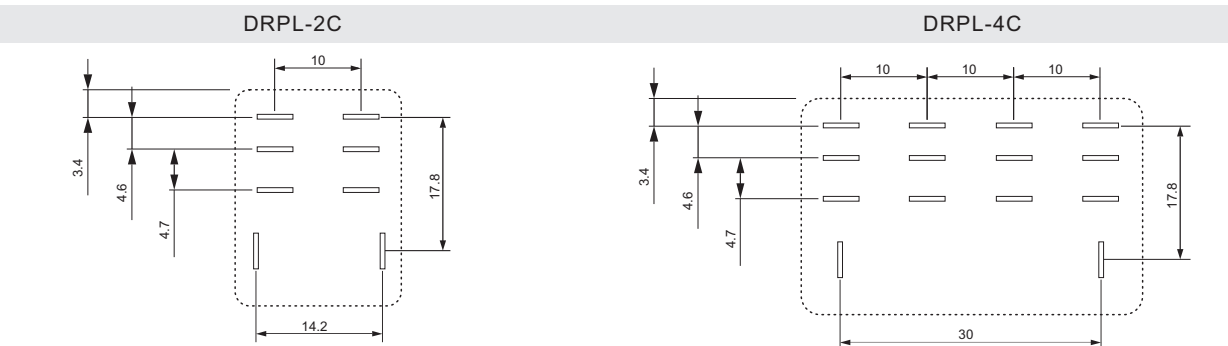
DRPL-4C-L-D24-02A(H)

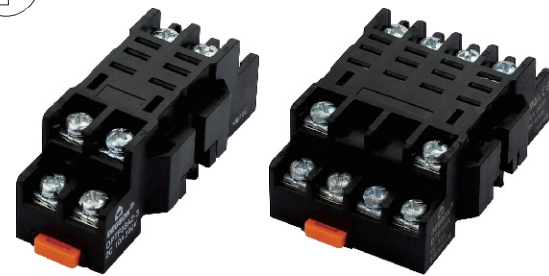


Overall Dimensions



Installation Diagrams, Wiring Diagrams





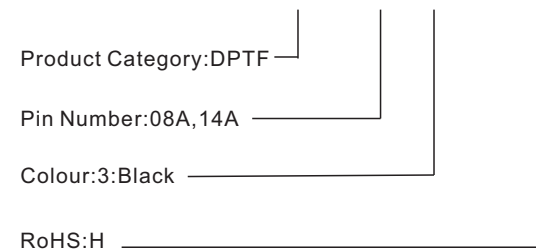
DPTF08A-3

DPTF14A-3

Features

- General socket, 10A.
- Green product RoHS.

DPTF 08A-3-00A (H)



Performance Parameters

Technical parameters

Product type	DPTF08A-3	DPTF14A-3
Rated current	10A	10A
Rated voltage	300V	
Coil/Contact dielectric voltage	2000V/S	
Dielectric voltage between contact	2000V/S	
Screw torque	1.2Nm	
External connection wire	20-14AWG/0.5-2.5mm ²	
Ambient temperature	-40~+65°C	
Weight	45g	76g

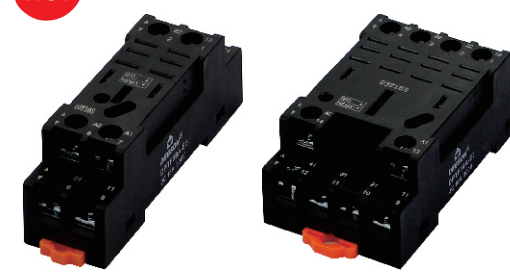
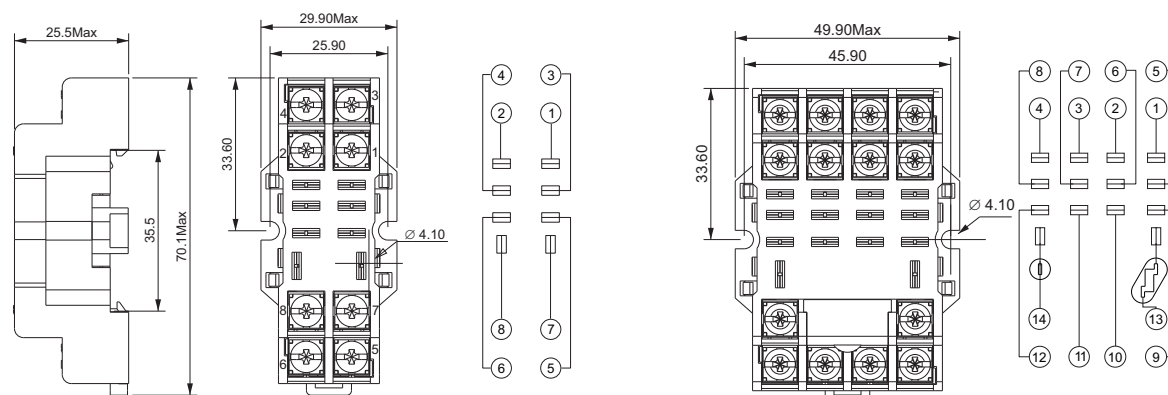
Supporting relays and accessories

Product type	Relay	Module	Plastic pull clasp	Metal clamp spring
DPTF08A-3	DRPL-2C	—	—	Wear
DPTF14A-3	DRPL-4C	—	—	Wear

Overall Dimensions, Wiring Diagrams

DPTF08A-3

DPTF14A-3



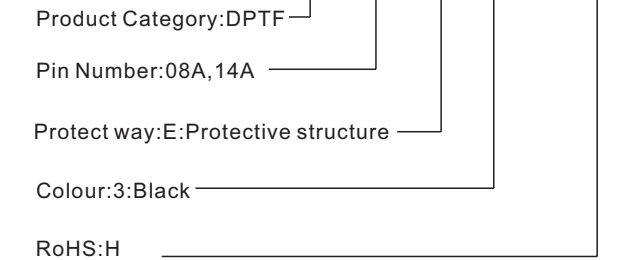
DPTF08A-E3

DPTF14A-E3

Features

- Protective socket, 16A.
- Green product RoHS.

DPTF 08A-E 3-00A (H)



Performance Parameters

Technical parameters

Product type	DPTF08A-E3	DPTF14A-E3
Rated current	16A	
Rated voltage	300V	
Coil/Contact dielectric voltage	4000V/S	
Dielectric voltage between contact	2500V/S	
Screw torque	1.2Nm	
External connection wire	20-14AWG/0.5-2.5mm ²	
Ambient temperature	-40~+85°C	
Weight	46g	78g

Supporting relays and accessories

Product type	Relay	Module	Plastic pull clasp	Metal clamp spring
DPTF08A-E3	DRPL-2C	DMD	—	Wear
DPTF14A-E3	DRPL-4C	DND	—	Wear

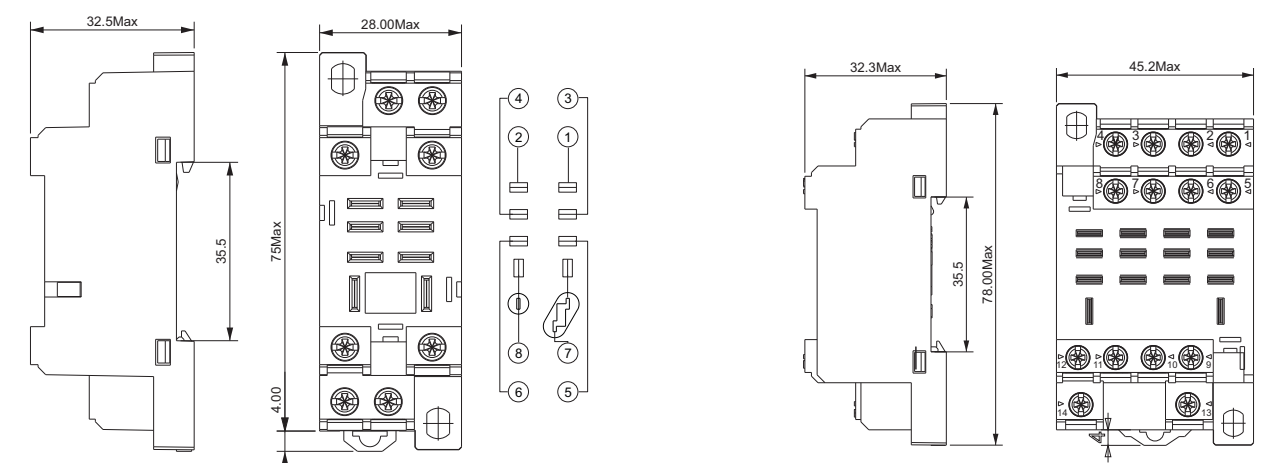
Popular Assembled module

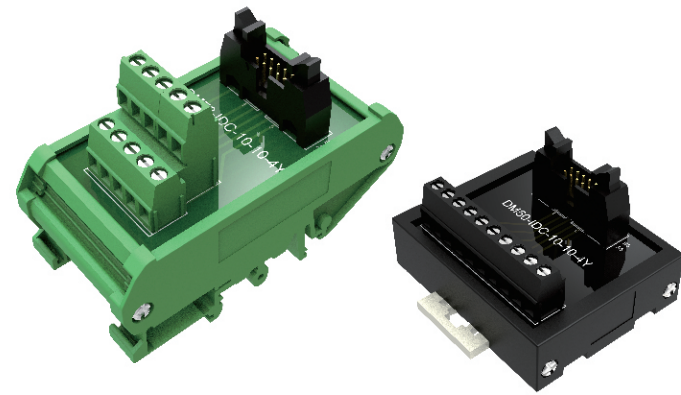
24VDC 2×SPDT: DRPEP-2CH-D24-07A(H) 220/230VAC 2×SPDT: DRPEP-2CH-A220-07A(H)
 24VDC 4×SPDT: DRPEP-4C-D24-07A(H) 220/230VAC 4×SPDT: DRPEP-4C-A220-07A(H)

Overall Dimensions, Wiring Diagrams

DPTF08A-E3

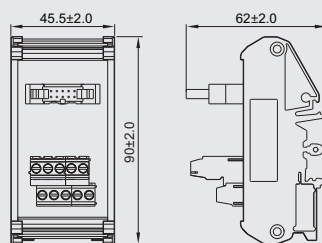
DPTF14A-E3



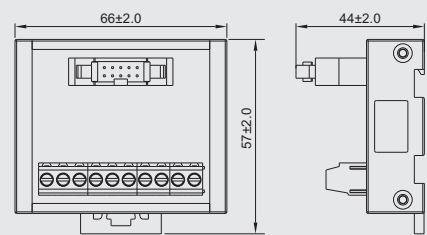

 DM72-IDC-10-10-4Y-00A(H)
 DM50-IDC-10-10-4Y-00A(H)

Features

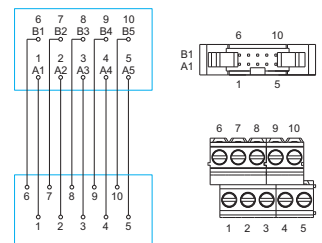
- This module is 10P IDC connector corresponding to 10P terminal blocks.
- Can be used to connect all with 10P IDC connector PLC or controller.
- Save wiring space, time and cost.
- Convenient for repair and maintenance.

Dimensions


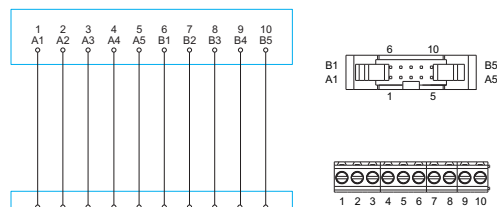
DM72-IDC-10-10-4Y-00A(H)



DM50-IDC-10-10-4Y-00A(H)

Circuit Diagram


DM72-IDC-10-10-4Y-00A(H)



DM50-IDC-10-10-4Y-00A(H)

Performance Parameters

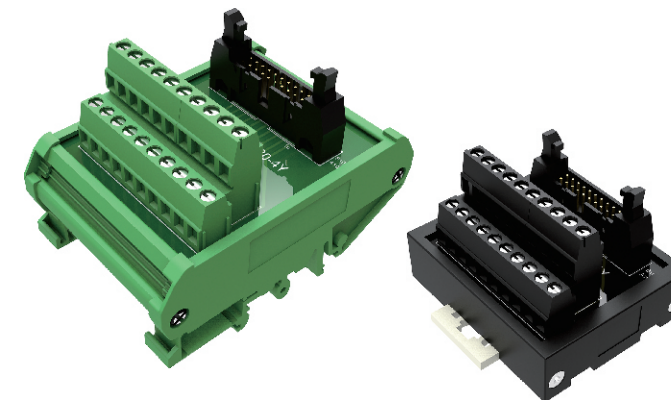
Rated Current/Voltage	1A/125VAC
Withstand Voltage	500VAC 1min
Insulation Resistance	500MΩ/500VDC
Stripping Length	7mm
Ambient Temperature	-20~+70°C
Maximum Torque	0.4Nm(3.54Lb-In)
Wire Range	26-12AWG
Mounting	35mm DIN

Suitable PLC

KEYENCE	KV-B16XA/XC KV series of small PLC
Panasonic FP0. FPΣ series	FP0-C16T/C16CT(IN Ministry)
	FP0-C16P/C16CP(IN Ministry)
	FP0-C32T/C32CT/T32CT(IN Ministry)
	FP0-C32P/C32CP/T32CP(IN Ministry)
	FP0-E16T/P(IN Ministry)
	FP0-E32T/P(IN Ministry)
	FP0-E8X
	FP0-E16X
	FPΣ-C28(IN Ministry)
	FPΣ-C32(IN Ministry)
	FP0-C16T/C16CT(OUT Ministry)
	FP0-C16P/C16CP(OUT Ministry)
	FP0-C32T/C32CT/T32CT(OUT Ministry)
	FP0-C32P/C32CP/T32CP(OUT Ministry)
	FP0-E16T/P(OUT Ministry)
	FP0-E32T/P(OUT Ministry)
	FP0-E8YT
FP0-E16YT	
FPΣ-C28(OUT Ministry)	
FPΣ-C32(OUT Ministry)	

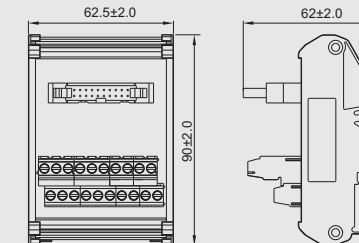
Related Products

DX216-1 DX216-2 DX216-3 DX200-1 DX210-1

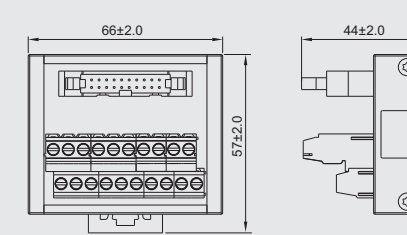

 DM72-IDC-20-20-4Y-00A(H)
 DM50-IDC-20-20-4Y-00A(H)

Features

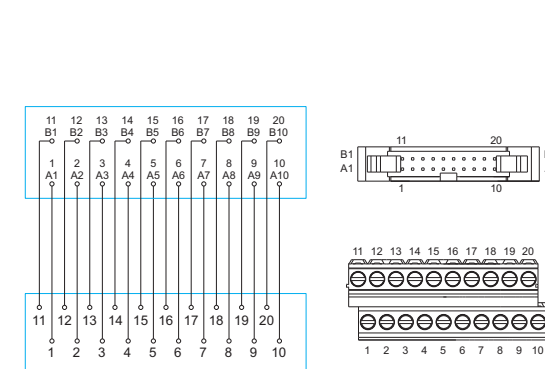
- This module is 20P IDC connector corresponding to 20P terminal blocks.
- Can be used to connect all with 20P IDC connector PLC or controller.
- Save wiring space, time and cost.
- Convenient for repair and maintenance.

Dimensions


DM72-IDC-20-20-4Y-00A(H)



DM50-IDC-20-20-4Y-00A(H)

Circuit Diagram

 DM72-IDC-20-20-4Y-00A(H)
 DM50-IDC-20-20-4Y-00A(H)

Performance Parameters

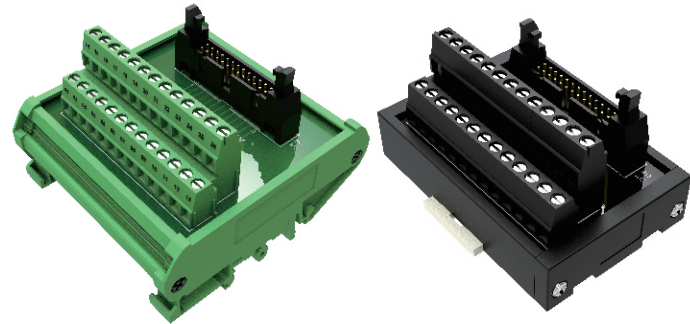
Rated Current/Voltage	1A/125VAC
Withstand Voltage	500VAC 1min
Insulation Resistance	500MΩ/500VDC
Stripping Length	7mm
Ambient Temperature	-20~+70°C
Maximum Torque	0.4Nm(3.54Lb-In)
Wire Range	26-12AWG
Mounting	35mm DIN

Suitable PLC

OMRON	CJ1W-MD232 CJ1W-MD233
MITSUBISHI Fxseries	FX1NC-16MT
	FX1NC-32MT
	FX2NC-16MT
	FX2NC-32MT
	FX3UC-32MT
	FX2NC-16EX
	FX2NC-16EX-C
	FX2NC-16EXL-C
	FX2NC-17EYT-C
	FX2N-10PG
FX2N-10GM	
FX2N-20GM	

Related Products

DX200-2 DX210-2 DX218-1 DX220-3 DX218-9

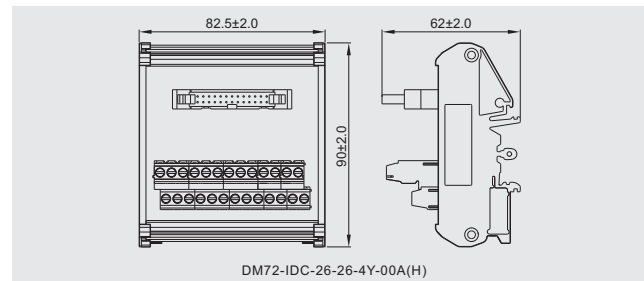


DM72-IDC-26-26-4Y-00A(H)
DM50-IDC-26-26-4Y-00A(H)

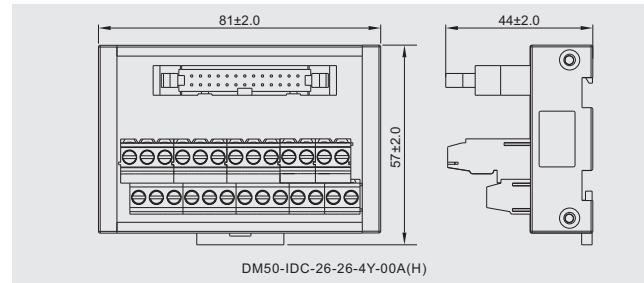
Features

- This module is 26P IDC connector corresponding to 26P terminal blocks.
- Can be used to connect all with 26P IDC connector PLC or controller.
- Save wiring space, time and cost.
- Convenient for repair and maintenance.

Dimensions



DM72-IDC-26-26-4Y-00A(H)



DM50-IDC-26-26-4Y-00A(H)

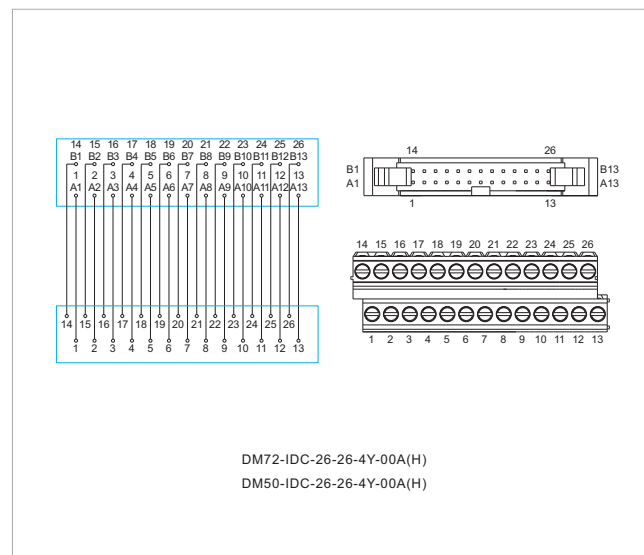
Performance Parameters

Rated Current/Voltage	1A/125VAC
Withstand Voltage	500VAC 1min
Insulation Resistance	500MΩ/500VDC
Stripping Length	7mm
Ambient Temperature	-20~+70°C
Maximum Torque	0.4Nm(3.54Lb-In)
Wire Range	26-12AWG
Mounting	35mm DIN

Suitable PLC

KEYENCE	KL-16CX KL-16CT KL-32CX KL-32CT
---------	--

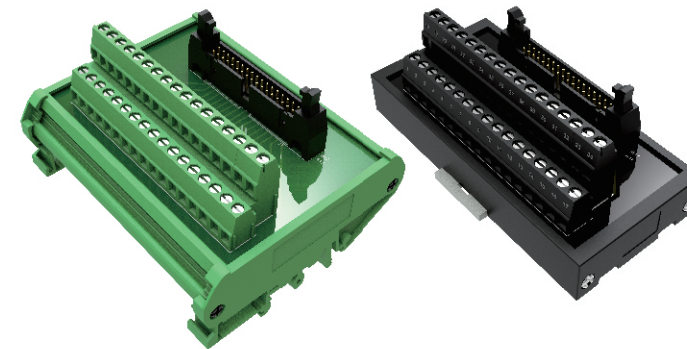
Circuit Diagram



DM72-IDC-26-26-4Y-00A(H)
DM50-IDC-26-26-4Y-00A(H)

Related Products

DX200-26 DX210-6 DX220-2

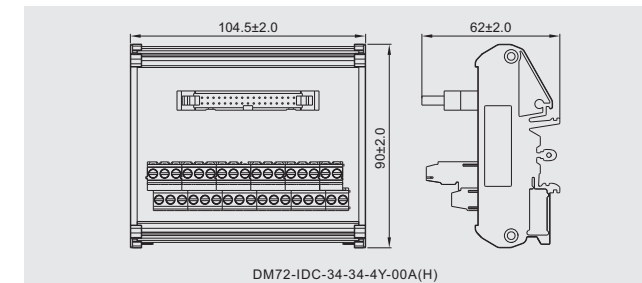


DM72-IDC-34-34-4Y-00A(H)
DM50-IDC-34-34-4Y-00A(H)

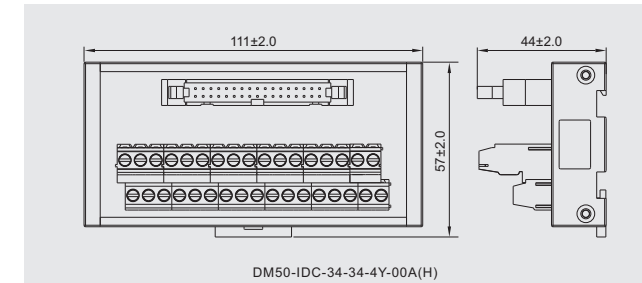
Features

- This module is 34P IDC connector corresponding to 34P terminal blocks.
- Can be used to connect all with 34P IDC connector PLC or controller.
- Save wiring space, time and cost.
- Convenient for repair and maintenance.

Dimensions



DM72-IDC-34-34-4Y-00A(H)



DM50-IDC-34-34-4Y-00A(H)

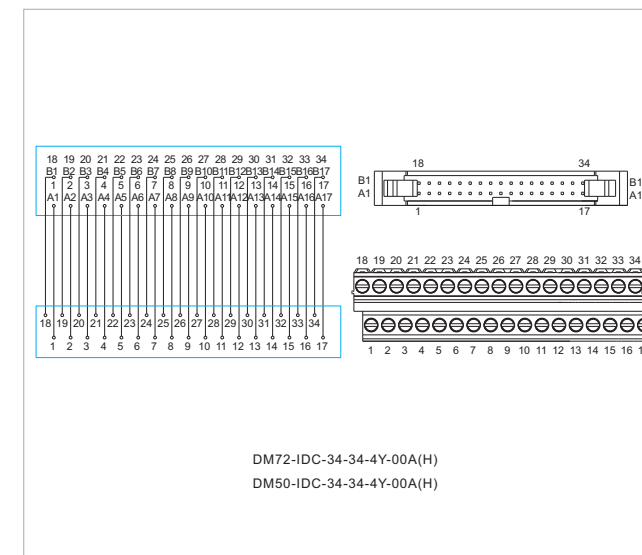
Performance Parameters

Rated Current/Voltage	1A/125VAC
Withstand Voltage	500VAC 1min
Insulation Resistance	500MΩ/500VDC
Stripping Length	7mm
Ambient Temperature	-20~+70°C
Maximum Torque	0.4Nm(3.54Lb-In)
Wire Range	26-12AWG
Mounting	35mm DIN

Suitable PLC

KEYENCE	KL-C32XA/C KL-C64XA/C KL-C32TA/C KL-C64TA/C
---------	--

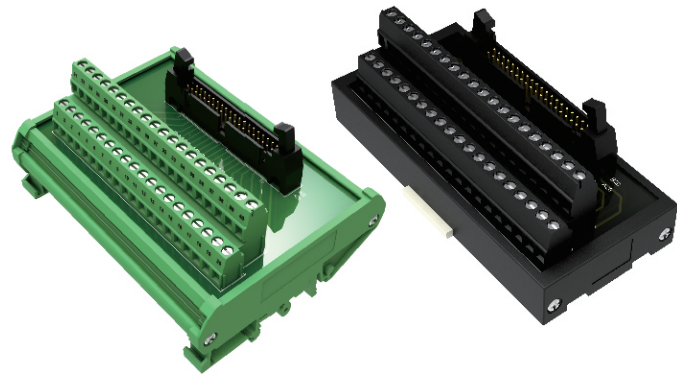
Circuit Diagram



DM72-IDC-34-34-4Y-00A(H)
DM50-IDC-34-34-4Y-00A(H)

Related Products

DX200-3 DX210-3

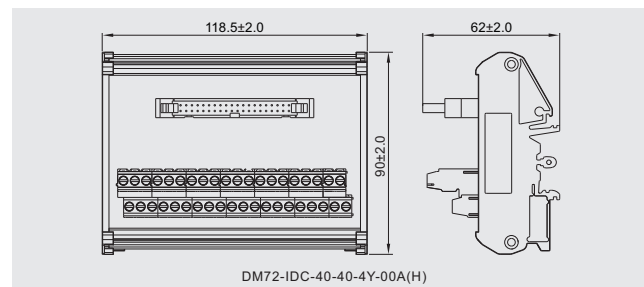


DM72-IDC-40-40-4Y-00A(H)
DM50-IDC-40-40-4Y-10A(H)

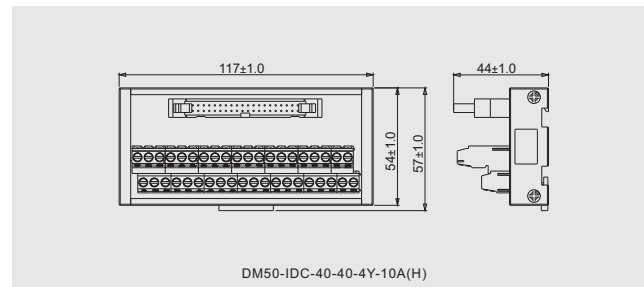
Features

- This module is 40P IDC connector corresponding to 40P terminal blocks.
- Can be used to connect all with 40P IDC connector PLC or controller.
- Save wiring space, time and cost.
- Convenient for repair and maintenance.

Dimensions

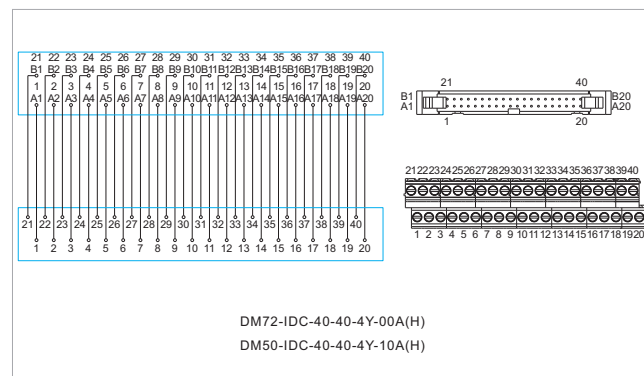


DM72-IDC-40-40-4Y-00A(H)



DM50-IDC-40-40-4Y-10A(H)

Circuit Diagram



DM72-IDC-40-40-4Y-00A(H)
DM50-IDC-40-40-4Y-10A(H)

Related Products

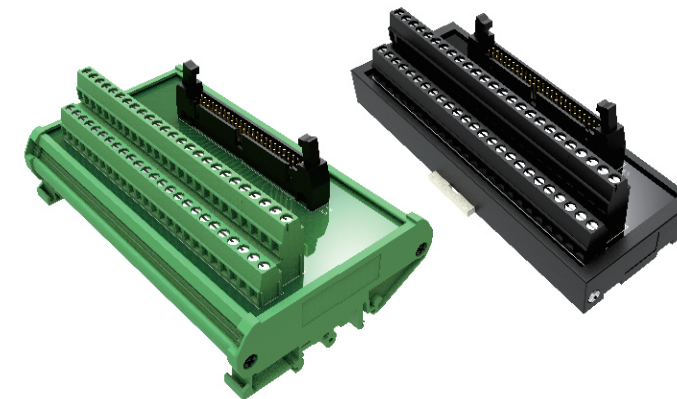
- DX217-1 DX217-2 DX212-1 DX219-2 DX200-4
DX210-4 DX210-5

Performance Parameters

Rated Current/Voltage	1A/125VAC
Withstand Voltage	500VAC 1min
Insulation Resistance	500MΩ/500VDC
Stripping Length	7mm
Ambient Temperature	-20~+70°C
Maximum Torque	0.4Nm(3.54Lb-In)
Wire Range	26-12AWG
Mounting	35mm DIN

Suitable PLC

KEYENCE	KV-1000 / KV-3000 / KV-5000 KV-H20S / KV-H40S
OMRON	CJ1W-ID231 / CJ1W-ID261 CJ1W-MD261(IN terminal) CJ1W-ID232 / CJ1W-ID262 CJ1W-MD263(IN terminal) CJ1W-MD563(IN terminal) CJ1W-OD231 / CJ1W-OD261 CJ1W-MD261(OUT terminal) CJ1W-OD232 / CJ1W-OD233 CJ1W-OD262 / CJ1W-OD263 CJ1W-MD263(OUT terminal) CJ1W-MD563(OUT terminal) CJ1M-CPU21 CJ1M-CPU22 CJ1M-CPU23
MITSUBISHI Qseries	Qx41 QX41-S1 Qx42 QX42-S1 Qx71 QX72 QY41P QY42P Qy71 QH42P QD70P4 QD70P QD70D QD75M
Panasonic FP0, FPΣ, FP2 series	FP2-XT64D2T/P FP2-C1D FP2-X32D2 FP2-X64D2 FP2-32T/P FP2-Y64T/P FP2-XY64D2T/XY64D7T FP2-XY64D2P/XY64D7P FP2-PP21 FP2-PP22 FP2-PP41 FP2-PP42 FP2-HSCT FP2-PXYT
SIEMENS	40P Plug with a full range
Yokogawa PLCFA-M3 series	F3WD64-3N F3WD64-3F F3WD32-3F

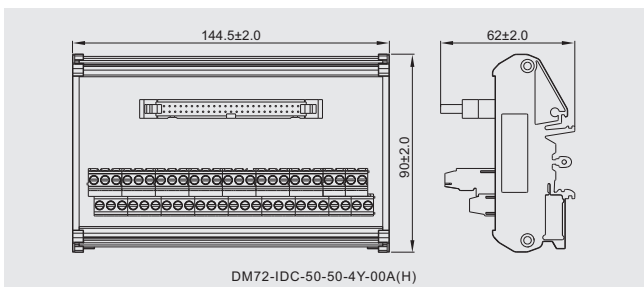


DM72-IDC-50-50-4Y-00A(H)
DM50-IDC-50-50-4Y-00A(H)

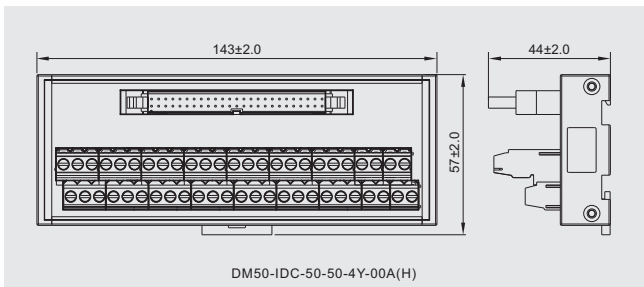
Features

- This module is 50P IDC connector corresponding to 50P terminal blocks.
- Can be used to connect all with 50P IDC connector PLC or controller.
- Save wiring space, time and cost.
- Convenient for repair and maintenance.

Dimensions

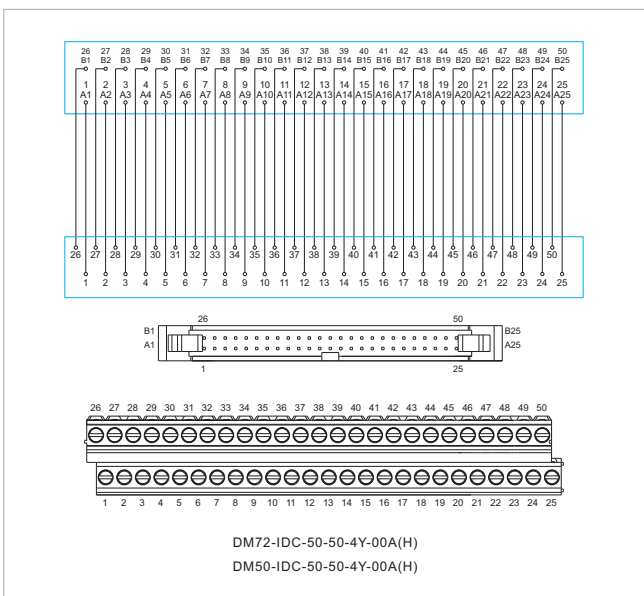


DM72-IDC-50-50-4Y-00A(H)



DM50-IDC-50-50-4Y-00A(H)

Circuit Diagram



DM72-IDC-50-50-4Y-00A(H)
DM50-IDC-50-50-4Y-00A(H)

Performance Parameters

Rated Current/Voltage	1A/125VAC
Withstand Voltage	500VAC 1min
Insulation Resistance	500MΩ/500VDC
Stripping Length	7mm
Ambient Temperature	-20~+70°C
Maximum Torque	0.4Nm(3.54Lb-In)
Wire Range	26-12AWG
Mounting	35mm DIN

Suitable PLC

—	—
---	---

Related Products

—	—
---	---

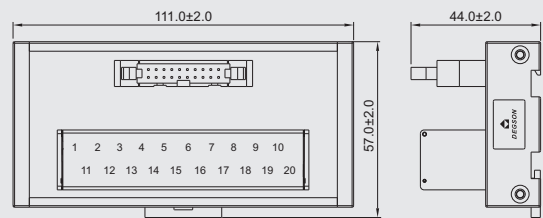


DM50-IDC-20-20-4G-00A(H)

Features

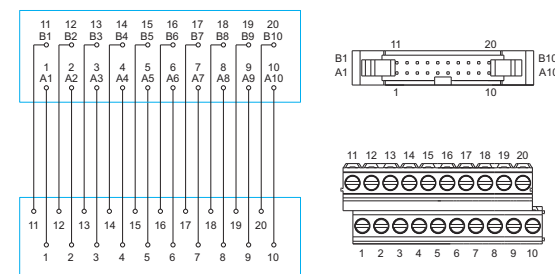
- This module is 20P IDC connector corresponding to 20P barrier terminal blocks.
- Can be used to connect all with 20P IDC connector PLC or controller.
- Save wiring space, time and cost.
- Convenient for repair and maintenance.

Dimensions



DM50-IDC-20-20-4G-00A(H)

Circuit Diagram



DM50-IDC-20-20-4G-00A(H)

Performance Parameters

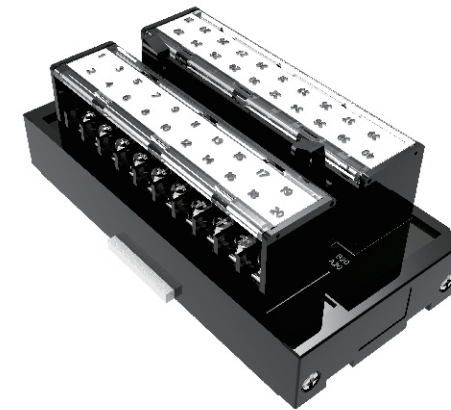
Rated Current/Voltage	1A/125VAC
Withstand Voltage	500VAC 1min
Insulation Resistance	500MΩ/500VDC
Stripping Length	7mm
Ambient Temperature	-20~+70°C
Maximum Torque	4.43Lb-In
Wire Range	22-14AWG
Mounting	35mm DIN

Suitable PLC

OMRON	CJ1W-MD232 CJ1W-MD233
MITSUBISHI Fxseries	FX1NC-16MT FX1NC-32MT FX2NC-16MT FX2NC-32MT FX3UC-32MT FX2NC-16EX FX2NC-16EX-C FX2NC-16EXL-C FX2NC-16EYT FX2NC-17EYT-C FX2N-10PG FX2N-10GM FX2N-20GM

Related Products

DX200-2 DX210-2 DX218-1 DX220-3 DX218-9

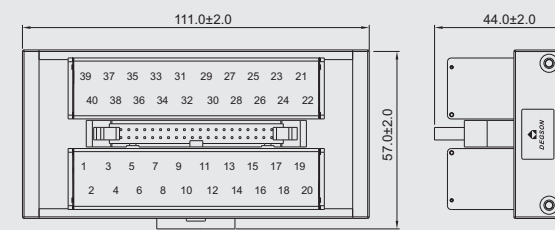


DM50-IDC-40-40-4G-00A(H)

Features

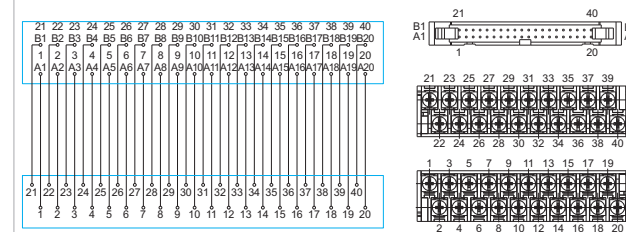
- This module is 40P IDC connector corresponding to 40P barrier terminal blocks.
- Can be used to connect all with 40P IDC connector PLC or controller.
- Save wiring space, time and cost.
- Convenient for repair and maintenance.

Dimensions



DM50-IDC-40-40-4G-00A(H)

Circuit Diagram



DM50-IDC-40-40-4G-00A(H)

Related Products

DX217-1 DX217-2 DX212-1 DX219-2 DX200-4
DX210-4 DX210-5

Performance Parameters

Rated Current/Voltage	1A/125VAC
Withstand Voltage	500VAC 1min
Insulation Resistance	500MΩ/500VDC
Stripping Length	7mm
Ambient Temperature	-20~+70°C
Maximum Torque	4.43Lb-In
Wire Range	22-14AWG
Mounting	35mm DIN

Suitable PLC

KEYENCE	KV-1000 / KV-3000 / KV-5000 KV-H20S / KV-H40S
OMRON	CJ1W-ID231 / CJ1W-ID261 CJ1W-MD261(IN terminal) CJ1W-ID232 / CJ1W-ID262 CJ1W-MD263(IN terminal) CJ1W-MD563(IN terminal) CJ1W-OD231 / CJ1W-OD261 CJ1W-MD261(OUT terminal) CJ1W-OD232 / CJ1W-OD233 CJ1W-OD262 / CJ1W-OD263 CJ1W-MD263(OUT terminal) CJ1W-MD563(OUT terminal) CJ1M-CPU21 CJ1M-CPU22 CJ1M-CPU23
MITSUBISHI Qseries	Qx41 QX41-S1 Qx42 QX42-S1 Qy71 Qy72 Qy41P QY42P Qy71 QH42P QD70P4 QD70P QD70D QD75M
Panasonic FP0, FPΣ, FP2 series	FP2-XT64D2T/P FP2-C1D FP2-X32D2 FP2-X64D2 FP2-32T/P FP2-Y64T/P FP2-XY64D2T/XY64D7T FP2-XY64D2P/XY64D7P FP2-PP21 FP2-PP22 FP2-PP41 FP2-PP42 FP2-HSCT FP2-PXYT
SIEMENS	40P Plug with a full range
Yokogawa PLCFA-M3 series	F3WD64-3N F3WD64-3F F3WD32-3F

20, 26, 36, 50P MDR Interface Module

CE RoHS

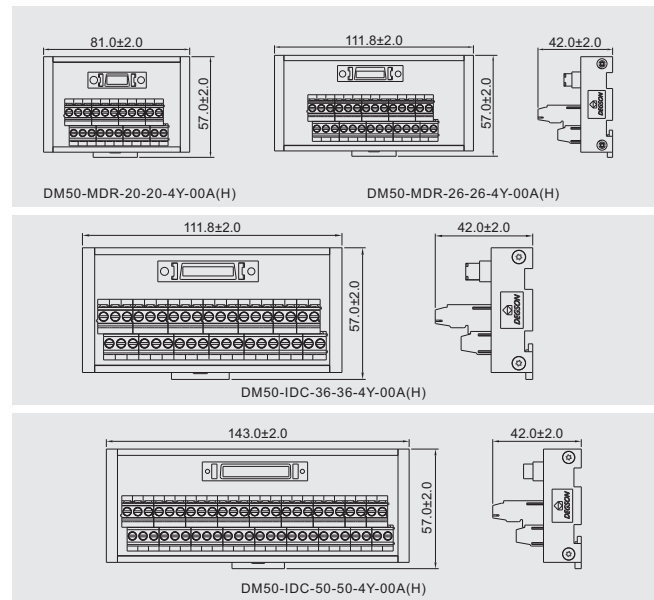


Features

- Including 20P, 26P, 36P, 50P MDR Interface module.
- Can be directly used in Mitsubishi, Yaskawa, Panasonic, Delta, Sanyo, AB servo driver signal interface.
- No need for welding wire, just one to one pin wiring.
- Save wiring space, time and cost.
- Convenient for repair and maintenance.

DM50-MDR-20-20-4Y-00A(H) DM50-MDR-26-26-4Y-00A(H)
DM50-MDR-36-36-4Y-00A(H) DM50-MDR-50-50-4Y-00A(H)

Dimensions



Performance Parameters

Rated Current/Voltage	1A/125VAC
Withstand Voltage	500VAC 1min
Insulation Resistance	500MΩ/500VDC
Stripping Length	7mm
Ambient Temperature	-20~+70°C
Maximum Torque	0.4Nm(3.54Lb-In)
Wire Range	26-12AWG
Mounting	35mm DIN

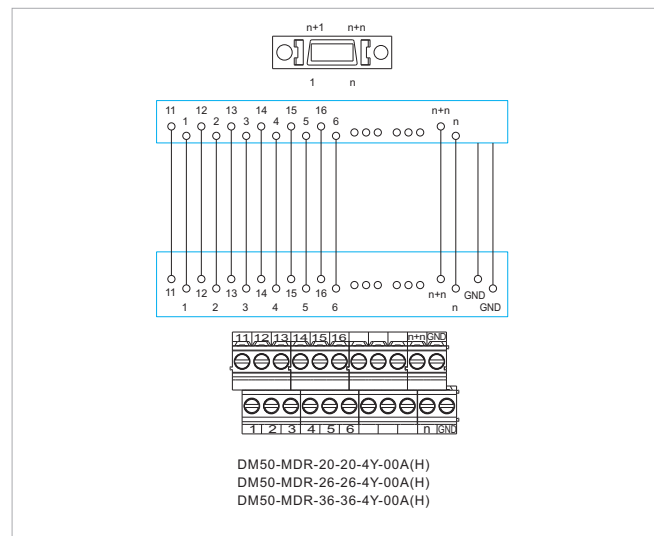
Suitable

PANASONIC DELTA KEYENCE SANYO YASKWA AB FUJI MITSUBISHI

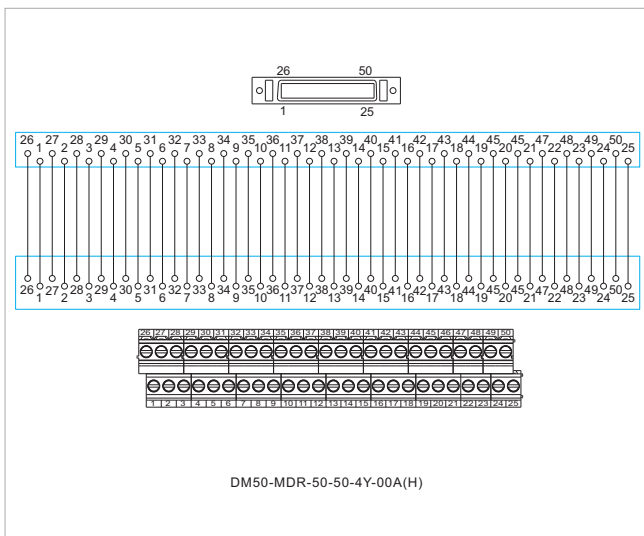
Related Products

DX220-1 DX220-2 DX220-3

Circuit Diagram



Circuit Diagram



40P FCN Interface Module

CE RoHS

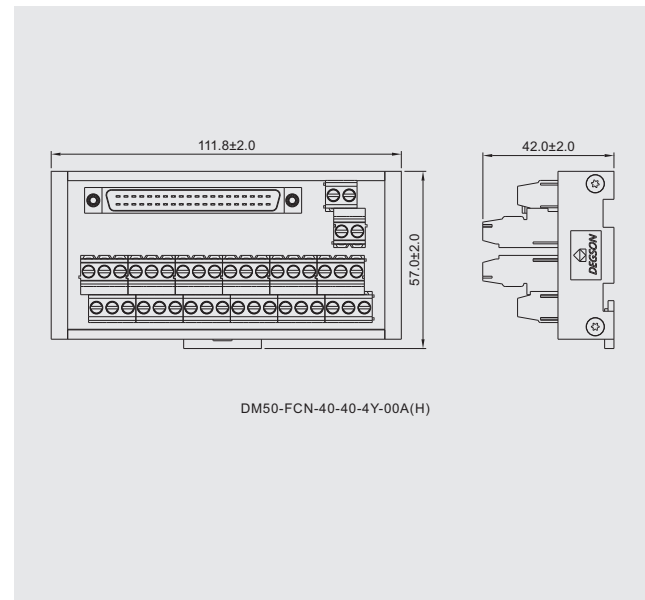


DM50-FCN-40-40-4Y-00A(H)

Features

- This module is 40P FCN Interface module.
- Can be used to connect various brands of servo or PLC controller.
- Save wiring space, time and cost.
- Convenient for repair and maintenance.

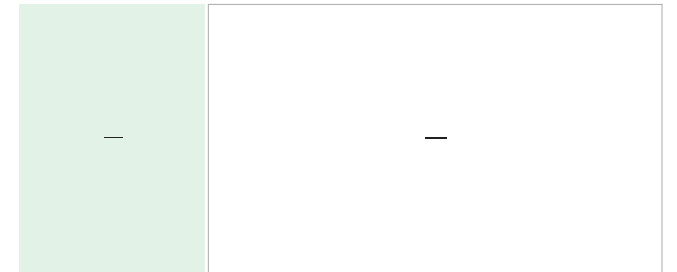
Dimensions



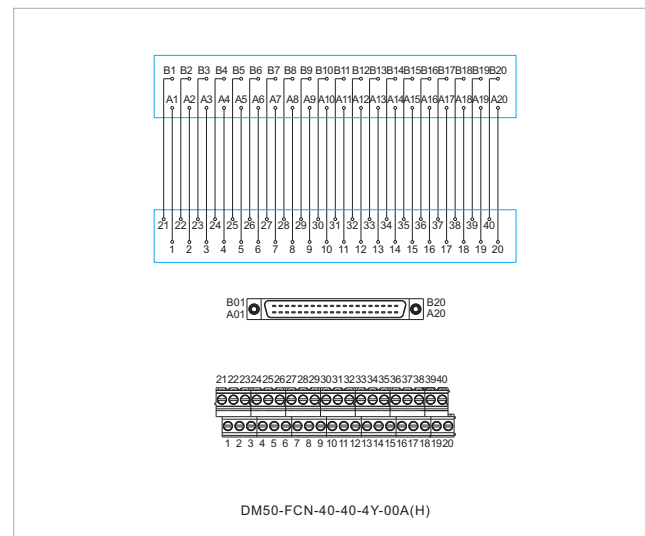
Performance Parameters

Rated Current/Voltage	1A/125VAC
Withstand Voltage	500VAC 1min
Insulation Resistance	500MΩ/500VDC
Stripping Length	7mm
Ambient Temperature	-20~+70°C
Maximum Torque	0.4Nm(3.54Lb-In)
Wire Range	26-12AWG
Mounting	35mm DIN

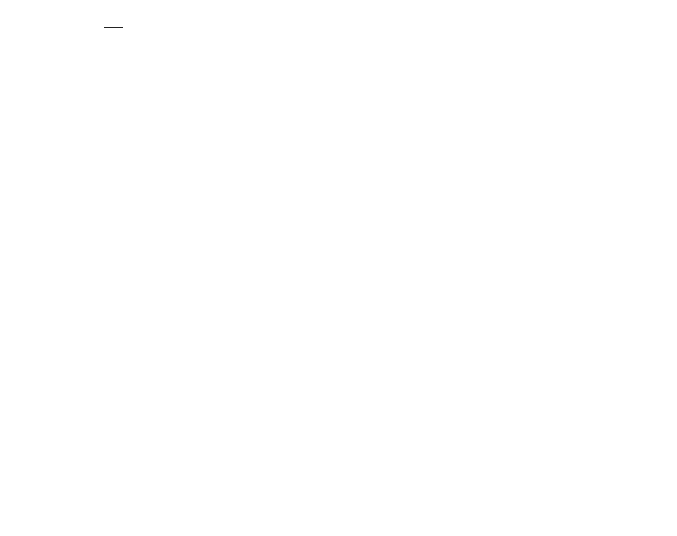
Suitable PLC



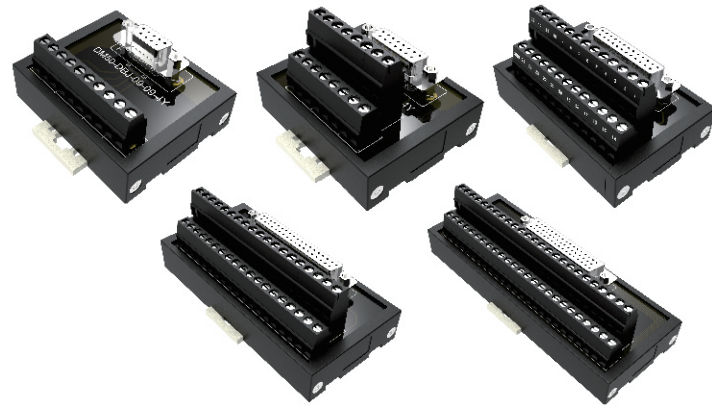
Circuit Diagram



Related Products



Small D-SUB Female Interface Module

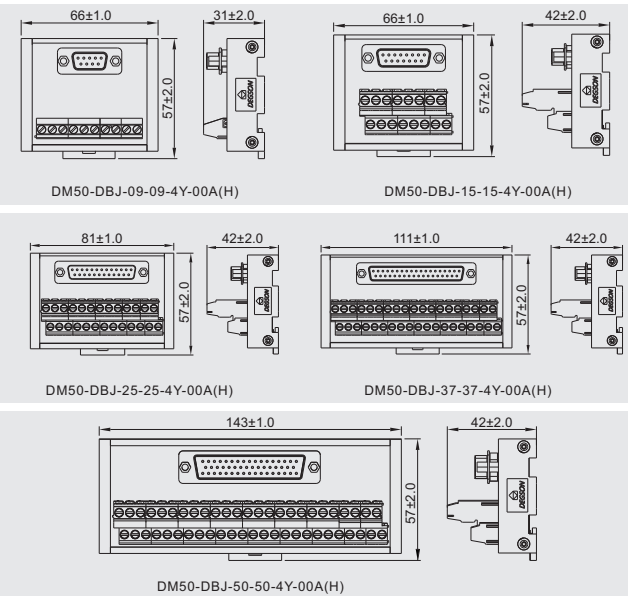


Features

- Including 9P, 15P, 25P, 37P, 50P D-SUB female splitter.
- Can be connected to a variety of servo drivers, motion control CARDS, touch screens, CNC systems etc.
- Save wiring space, time and cost.
- Convenient for repair and maintenance.

DM50-DBJ-09-09-4Y-00A(H) DM50-DBJ-15-15-4Y-00A(H)
 DM50-DBJ-25-25-4Y-00A(H) DM50-DBJ-37-37-4Y-00A(H)
 DM50-DBJ-50-50-4Y-00A(H)

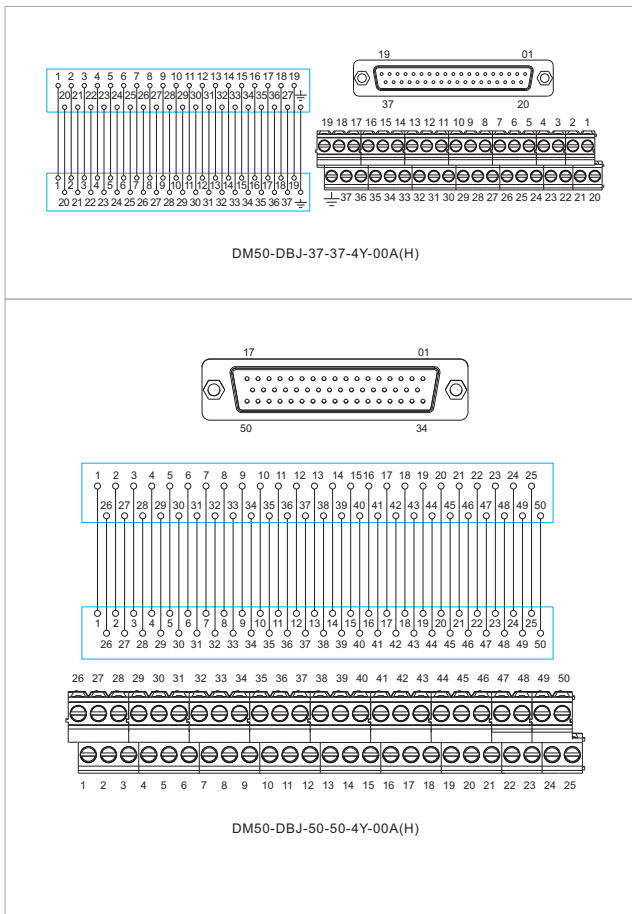
Dimensions



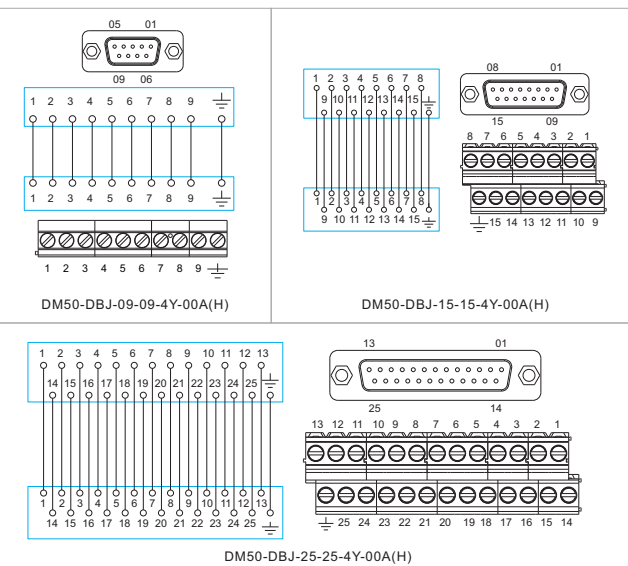
Performance Parameters

Rated Current/Voltage	1A/125VAC
Withstand Voltage	500VAC 1min
Insulation Resistance	500MΩ/500VDC
Stripping Length	7mm
Ambient Temperature	-20~+70°C
Maximum Torque	0.4Nm(3.54Lb-In)
Wire Range	26-12AWG
Mounting	35mm DIN

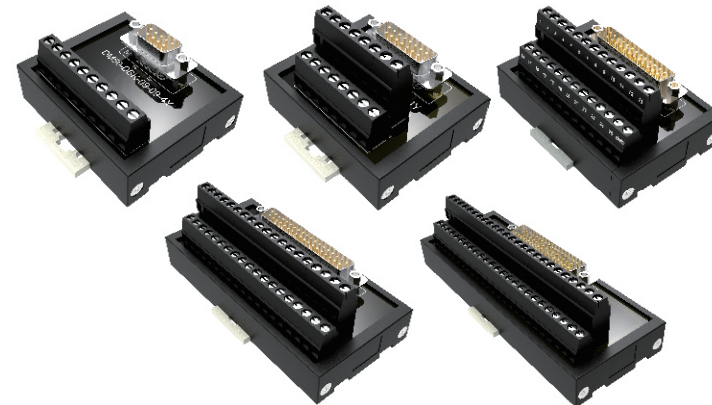
Circuit Diagram



Circuit Diagram



Small D-SUB Male Interface Module

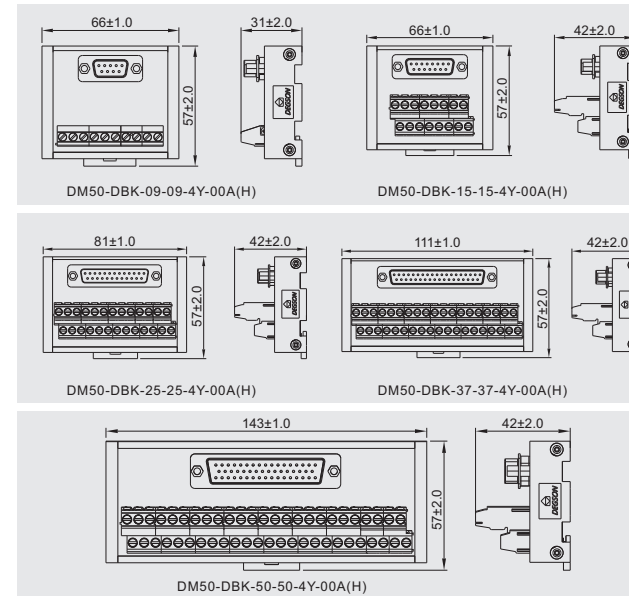


Features

- Including 9P, 15P, 25P, 37P, 50P D-SUB male splitter.
- Can be connected to a variety of servo drivers, motion control CARDS, touch screens, CNC systems etc.
- Save wiring space, time and cost.
- Convenient for repair and maintenance.

DM50-DBK-09-09-4Y-00A(H) DM50-DBK-15-15-4Y-00A(H)
 DM50-DBK-25-25-4Y-00A(H) DM50-DBK-37-37-4Y-00A(H)
 DM50-DBK-50-50-4Y-00A(H)

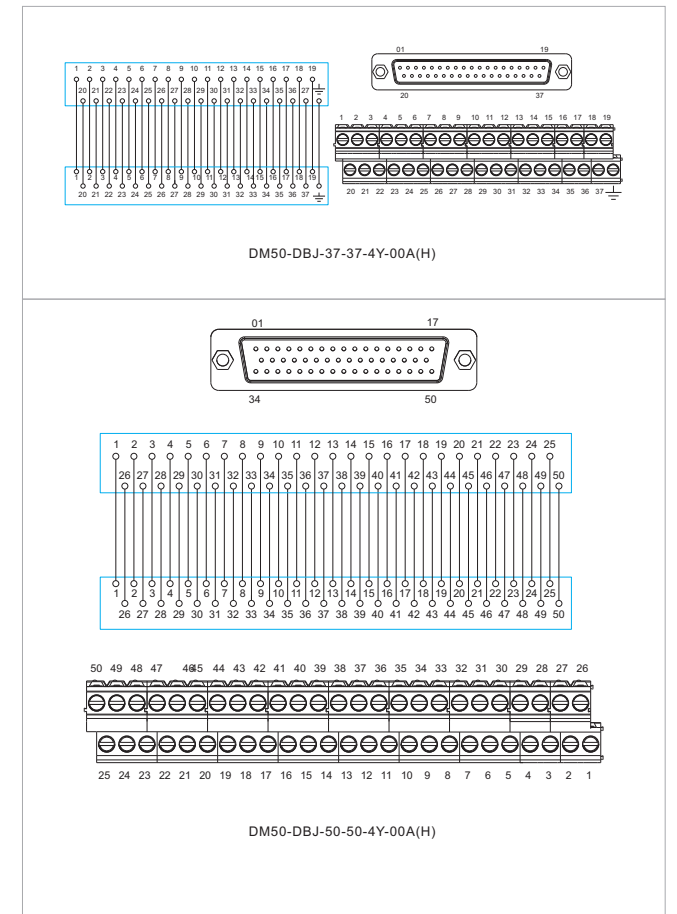
Dimensions



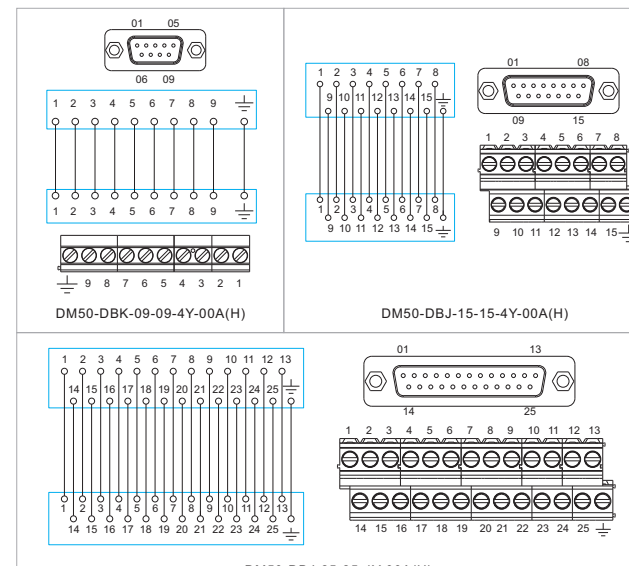
Performance Parameters

Rated Current/Voltage	1A/125VAC
Withstand Voltage	500VAC 1min
Insulation Resistance	500MΩ/500VDC
Stripping Length	7mm
Ambient Temperature	-20~+70°C
Maximum Torque	0.4Nm(3.54Lb-In)
Wire Range	26-12AWG
Mounting	35mm DIN

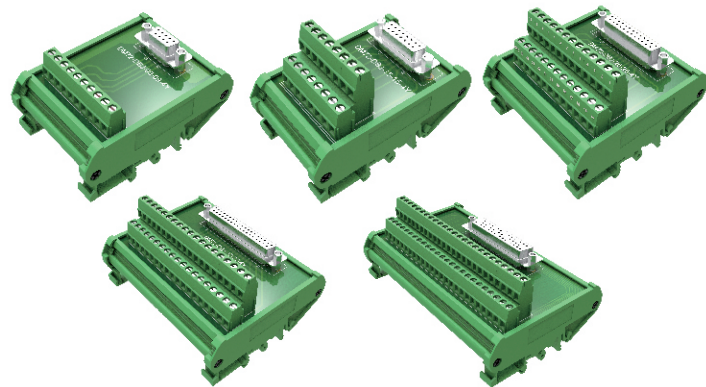
Circuit Diagram



Circuit Diagram



D-SUB Female Interface Module

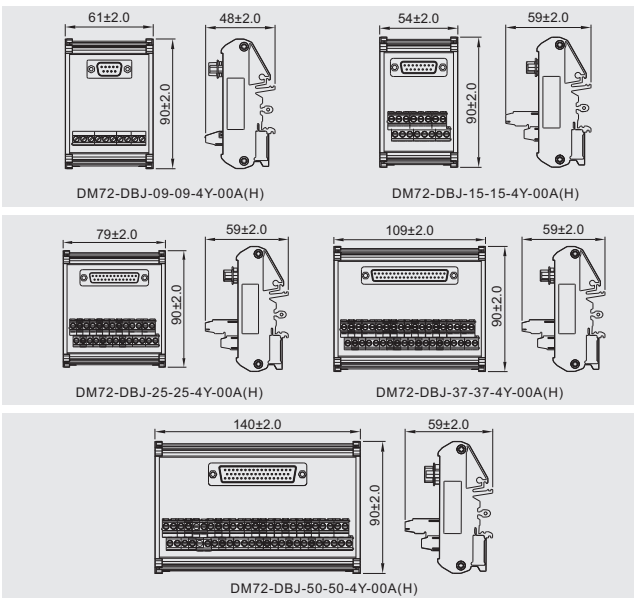


Features

- Including 9P, 15P, 25P, 37P, 50P D-SUB female splitter.
- Can be connected to a variety of servo drivers, motion control CARDS, touch screens, CNC systems etc.
- Save wiring space, time and cost.
- Convenient for repair and maintenance.

DM72-DBJ-09-09-4Y-00A(H) DM72-DBJ-15-15-4Y-00A(H)
 DM72-DBJ-25-25-4Y-00A(H) DM72-DBJ-37-37-4Y-00A(H)
 DM72-DBJ-50-50-4Y-00A(H)

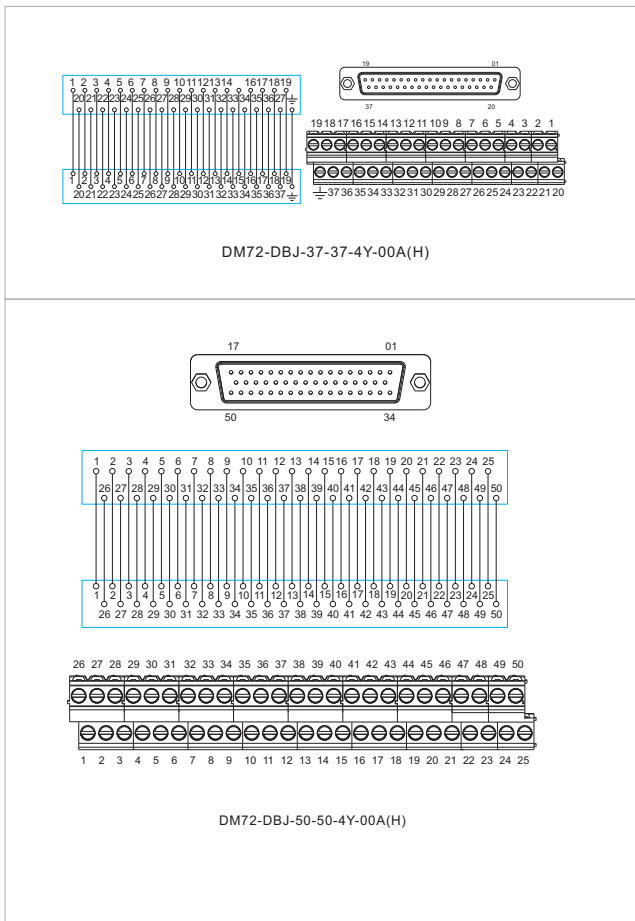
Dimensions



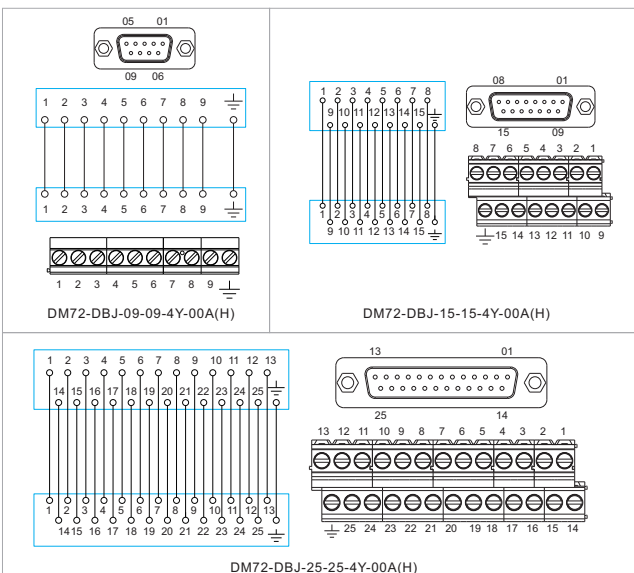
Performance Parameters

Rated Current/Voltage	1A/125VAC
Withstand Voltage	500VAC 1min
Insulation Resistance	500MΩ/500VDC
Stripping Length	7mm
Ambient Temperature	-20~+70°C
Maximum Torque	0.4Nm(3.54Lb-In)
Wire Range	26-12AWG
Mounting	35mm DIN

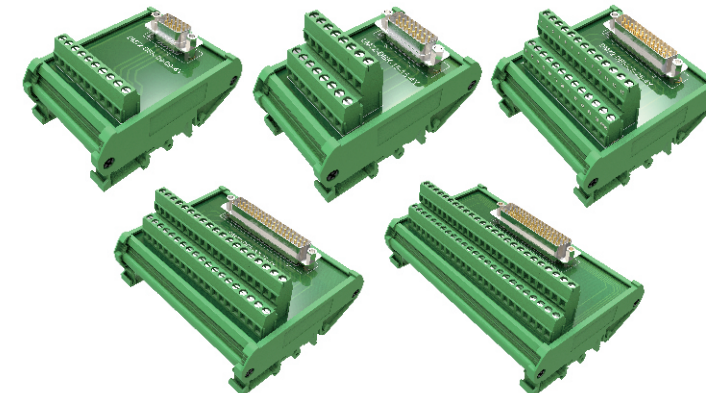
Circuit Diagram



Circuit Diagram



D-SUB Male Interface Module

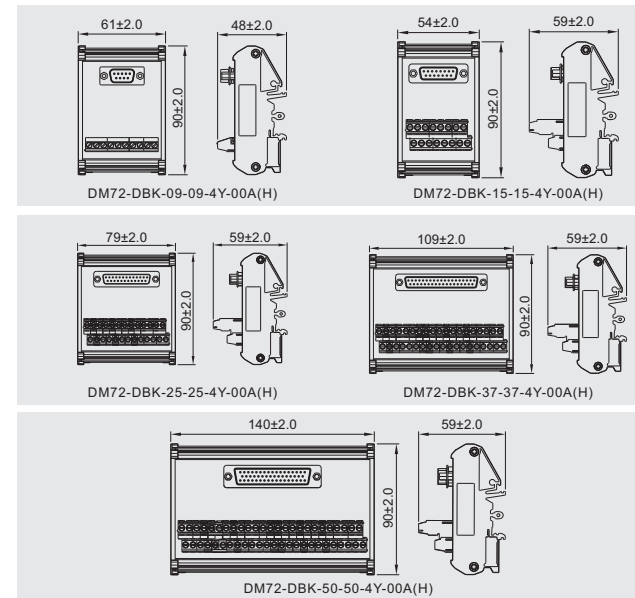


Features

- Including 9P, 15P, 25P, 37P, 50P D-SUB male splitter.
- Can be connected to a variety of servo drivers, motion control CARDS, touch screens, CNC systems etc.
- Save wiring space, time and cost.
- Convenient for repair and maintenance.

DM72-DBK-09-09-4Y-00A(H) DM72-DBK-15-15-4Y-00A(H)
 DM72-DBK-25-25-4Y-00A(H) DM72-DBK-37-37-4Y-00A(H)
 DM72-DBK-50-50-4Y-00A(H)

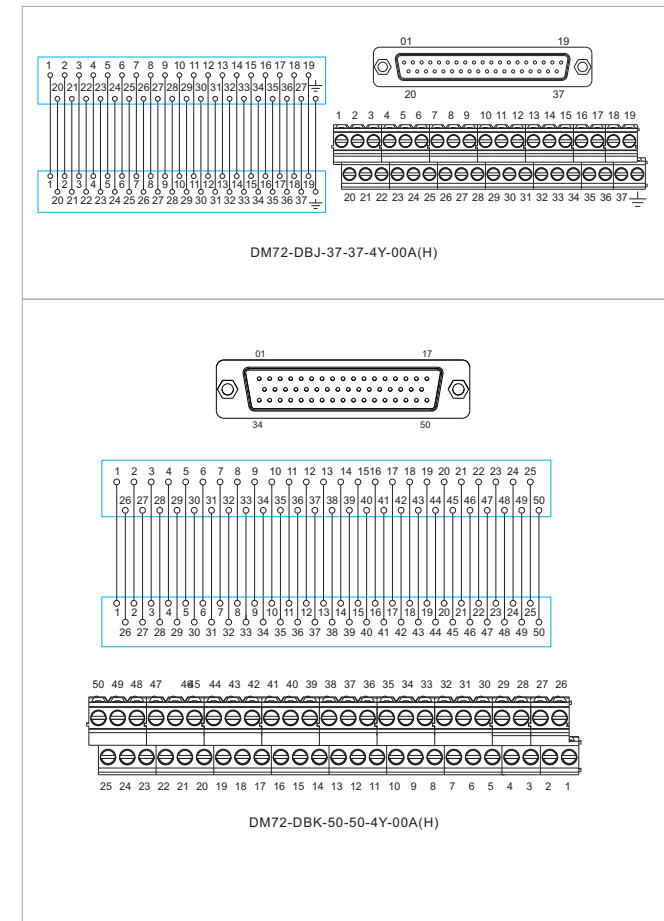
Dimensions



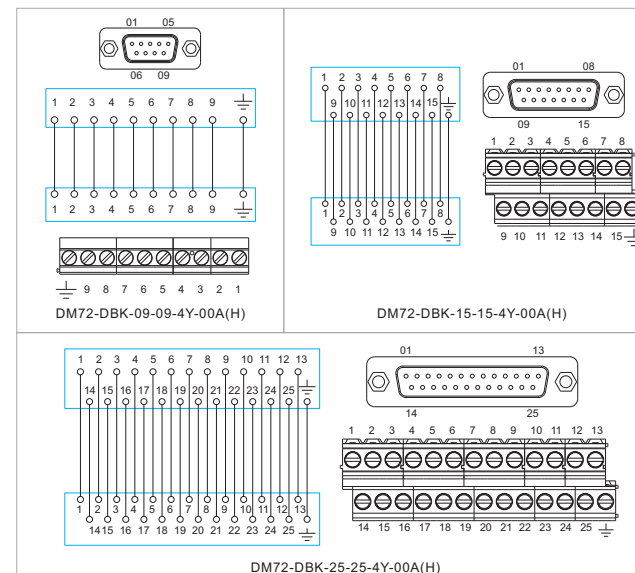
Performance Parameters

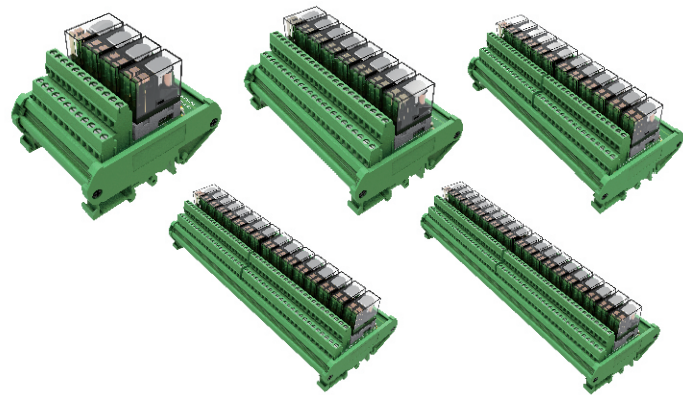
Rated Current/Voltage	1A/125VAC
Withstand Voltage	500VAC 1min
Insulation Resistance	500MΩ/500VDC
Stripping Length	7mm
Ambient Temperature	-20~+70°C
Maximum Torque	0.4Nm(3.54Lb-In)
Wire Range	26-12AWG
Mounting	35mm DIN

Circuit Diagram



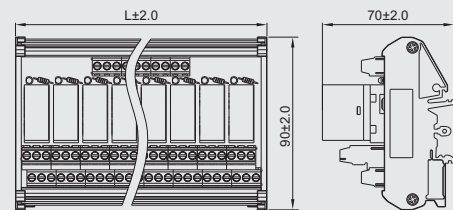
Circuit Diagram




Features

- Including 4, 8, 12, 16, 20 bit independent relay circuits.
- Applicable to NPN, PNP controller.
- The relay adopts 2C/O node and 1 to 1 output of the output end.
- Save wiring space, time and cost.
- Convenient for repair and maintenance.

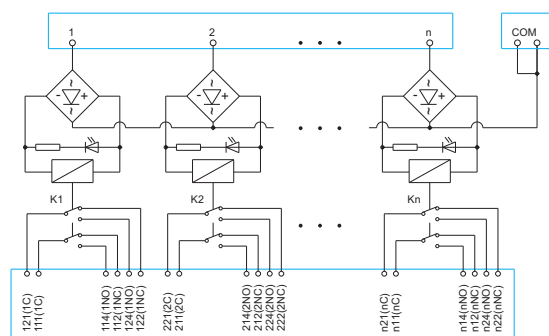
DM72-RM-04-PN-4-44-11A(H) DM72-RM-08-PN-4-44-11A(H)
 DM72-RM-12-PN-4-44-11A(H) DM72-RM-16-PN-4-44-11A(H)
 DM72-RM-20-PN-4-44-11A(H)

Dimensions


P/N	L * W * H mm
DM72-RM-04-PN-4-44-11A(H)	72 * 90 * 70
DM72-RM-08-PN-4-44-11A(H)	133 * 90 * 70
DM72-RM-12-PN-4-44-11A(H)	198 * 90 * 70
DM72-RM-16-PN-4-44-11A(H)	258 * 90 * 70
DM72-RM-20-PN-4-44-11A(H)	319 * 90 * 70

Performance Parameters

Withstand Voltage	500VAC 50Hz (1min)
Insulation Resistance	1000MQ/500VDC
Coil Voltage	24VDC
Load Voltage	30VDC/240VAC
Load Current	5A
Load Type	2NO + 2NC
Ambient Temperature	-20~+70°C
Maximum Torque	0.4Nm(3.54Lb-In)
Wire Range	26-12AWG
Mounting	TS-15 TS-32 TS-35

Circuit Diagram


DM72-RM-04-PN-4-44-11A(H) DM72-RM-08-PN-4-44-11A(H)
 DM72-RM-12-PN-4-44-11A(H) DM72-RM-16-PN-4-44-11A(H)
 DM72-RM-20-PN-4-44-11A(H)

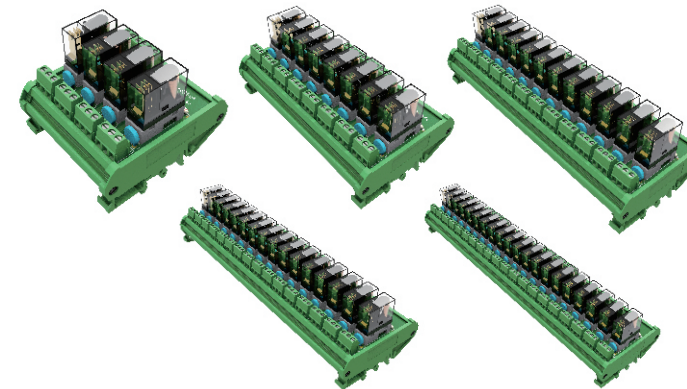
Relay P/N

Omron relay P/N: G2R-2 24VDC, the relay is consumable, if the service life of the same specification relay replacement.

- Please confirm the output contact capacity before use, do not exceed its scope.

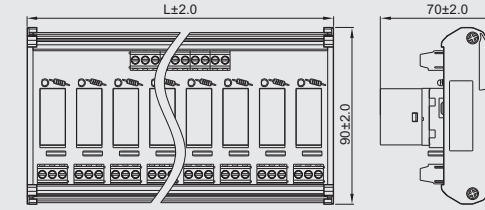
Wiring Method

- Input control signal through 1 to 1 wiring of terminal block.
- When the control signal is NPN (low signal input), connect COM to 24V.
- When the control signal is PNP (high signal input), connect COM to 0V.


Features

- Including 4, 8, 12, 16, 20 bit independent relay circuits.
- Applicable to NPN, PNP controller.
- The relay adopts 1C/O node and 1 to 1 output of the output end.
- Save wiring space, time and cost.
- Convenient for repair and maintenance.

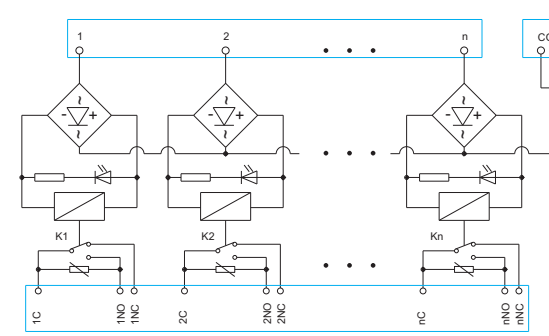
DM72-RM-04-PN-2-44-101A(H) DM72-RM-08-PN-2-44-101A(H)
 DM72-RM-12-PN-2-44-101A(H) DM72-RM-16-PN-2-44-101A(H)
 DM72-RM-20-PN-2-44-101A(H)

Dimensions


P/N	L * W * H mm
DM72-RM-04-PN-2-44-101A(H)	81.5 * 90 * 70
DM72-RM-08-PN-2-44-101A(H)	156 * 90 * 70
DM72-RM-12-PN-2-44-101A(H)	230 * 90 * 70
DM72-RM-16-PN-2-44-101A(H)	305 * 90 * 70
DM72-RM-20-PN-2-44-101A(H)	380 * 90 * 70

Performance Parameters

Withstand Voltage	500VAC 50Hz (1min)
Insulation Resistance	1000MQ/500VDC
Coil Voltage	24VDC
Load Voltage	30VDC/240VAC
Load Current	16A
Load Type	1NO + 1NC
Ambient Temperature	-20~+70°C
Maximum Torque	0.4Nm(3.54Lb-In)
Wire Range	26-12AWG
Mounting	TS-15 TS-32 TS-35

Circuit Diagram


DM72-RM-04-PN-2-44-101A(H) DM72-RM-08-PN-2-44-101A(H)
 DM72-RM-12-PN-2-44-101A(H) DM72-RM-16-PN-2-44-101A(H)
 DM72-RM-20-PN-2-44-101A(H)

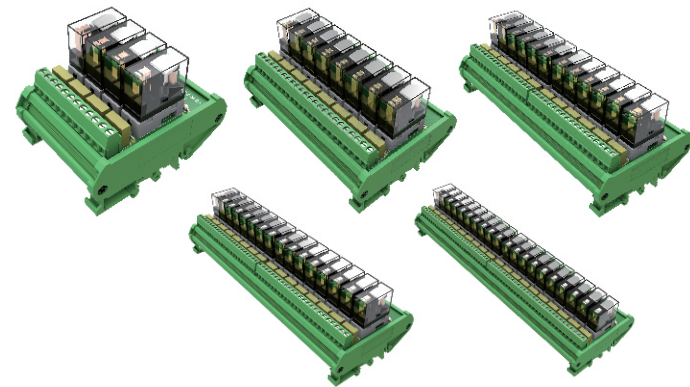
Relay P/N

Omron relay P/N: G2R-1-E 24VDC, the relay is consumable, if the service life of the same specification relay replacement.

- Please confirm the output contact capacity before use, do not exceed its scope.

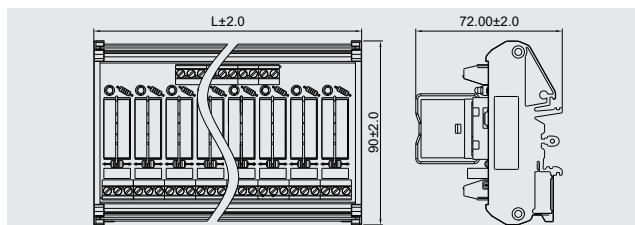
Wiring Method

- Input control signal through 1 to 1 wiring of terminal block.
- When the control signal is NPN (low signal input), connect COM to 24V.
- When the control signal is PNP (high signal input), connect COM to 0V.


Features

- Including 4, 8, 12, 16, 20 bit independent relay circuits.
- Applicable to NPN, PNP controller.
- The relay adopts 1C/O node and 1 to 1 output of the output end.
- Save wiring space, time and cost.
- Convenient for repair and maintenance.

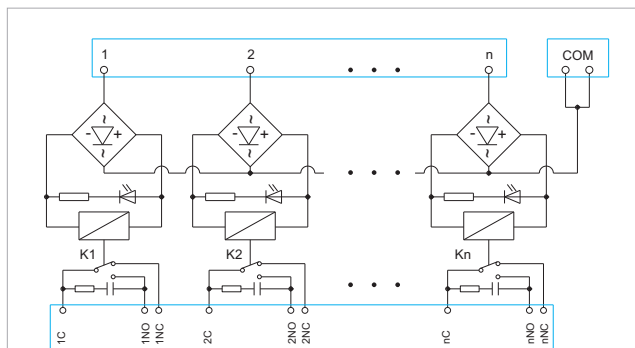
DM72-RM-04-PN-2-44-11A(H) DM72-RM-08-PN-2-44-11A(H)
 DM72-RM-12-PN-2-44-11A(H) DM72-RM-16-PN-2-44-11A(H)
 DM72-RM-20-PN-2-44-11A(H)

Dimensions


P/N	L * W * H mm
DM72-RM-04-PN-2-44-11A(H)	70 * 90 * 70
DM72-RM-08-PN-2-44-11A(H)	131 * 90 * 70
DM72-RM-12-PN-2-44-11A(H)	194 * 90 * 70
DM72-RM-16-PN-2-44-11A(H)	255 * 90 * 70
DM72-RM-20-PN-2-44-11A(H)	316 * 90 * 70

Performance Parameters

Withstand Voltage	500VAC 50Hz (1min)
Insulation Resistance	1000MQ/500VDC
Coil Voltage	24VDC
Load Voltage	30VDC/240VAC
Load Current	10A
Load Type	1NO + 1NC
Ambient Temperature	-20~+70°C
Maximum Torque	0.4Nm(3.54Lb-In)
Wire Range	26-12AWG
Mounting	TS-15 TS-32 TS-35

Circuit Diagram


DM72-RM-04-PN-2-44-11A(H) DM72-RM-08-PN-2-44-11A(H)
 DM72-RM-12-PN-2-44-11A(H) DM72-RM-16-PN-2-44-11A(H)
 DM72-RM-20-PN-2-44-11A(H)

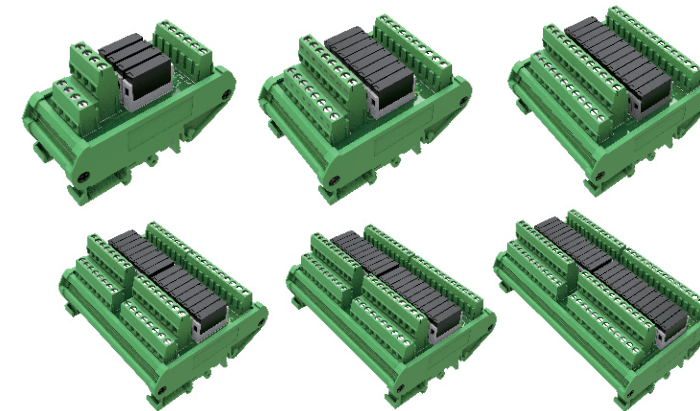
Relay P/N

Omron relay P/N: G2R-1 24VDC, the relay is consumable, if the service life of the same specification relay replacement.

- Please confirm the output contact capacity before use, do not exceed its scope.

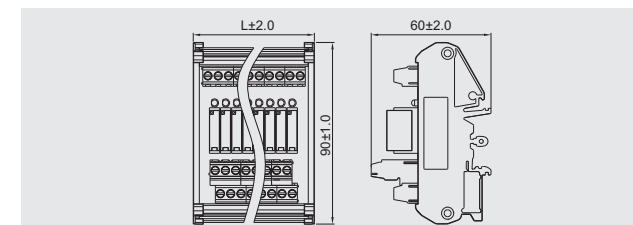
Wiring Method

- Input control signal through 1 to 1 wiring of terminal block.
- When the control signal is NPN (low signal input), connect COM to 24V.
- When the control signal is PNP (high signal input), connect COM to 0V.


Features

- Including 4, 8, 12, 16, 20, 24 bit independent relay circuits.
- Applicable to NPN, PNP controller.
- The relay adopts 1N/O node and 1 to 1 output of the output end.
- Save wiring space, time and cost.
- Convenient for repair and maintenance.

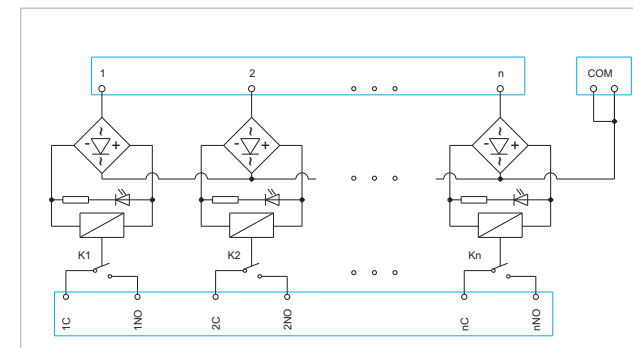
DM72-RMUS-04-PN-1-44-00A(H) DM72-RMUS-08-PN-1-44-00A(H)
 DM72-RMUS-12-PN-1-44-00A(H) DM72-RMUS-16-PN-1-44-00A(H)
 DM72-RMUS-20-PN-1-44-00A(H) DM72-RMUS-24-PN-1-44-00A(H)

Dimensions


P/N	L * W * H mm
DM72-RMUS-04-PN-1-44-00A(H)	40 * 90 * 60
DM72-RMUS-08-PN-1-44-00A(H)	60 * 90 * 60
DM72-RMUS-12-PN-1-44-00A(H)	80 * 90 * 60
DM72-RMUS-16-PN-1-44-00A(H)	103 * 90 * 60
DM72-RMUS-20-PN-1-44-00A(H)	123 * 90 * 60
DM72-RMUS-24-PN-1-44-00A(H)	145 * 90 * 60

Performance Parameters

Withstand Voltage	500VAC 50Hz (1min)
Insulation Resistance	1000MQ/500VDC
Coil Voltage	24VDC
Load Voltage	30VDC/240VAC
Load Current	5A
Load Type	1NO
Ambient Temperature	-20~+70°C
Maximum Torque	0.4Nm(3.54Lb-In)
Wire Range	26-12AWG
Mounting	TS-15 TS-32 TS-35

Circuit Diagram


DM72-RMUS-04-PN-1-44-00A(H) DM72-RMUS-08-PN-1-44-00A(H)
 DM72-RMUS-12-PN-1-44-00A(H) DM72-RMUS-16-PN-1-44-00A(H)
 DM72-RMUS-20-PN-1-44-00A(H) DM72-RMUS-24-PN-1-44-00A(H)

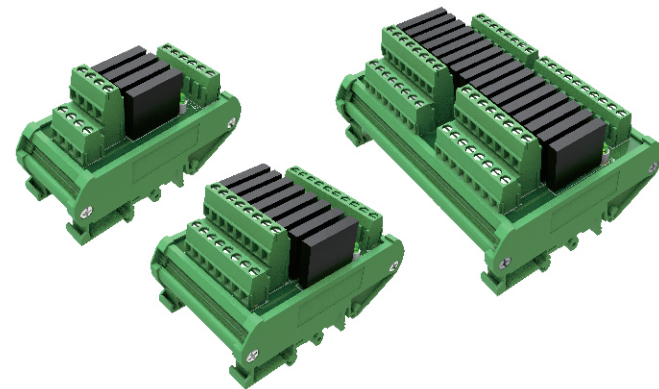
Relay P/N

Panasonic relay P/N: APAN3124, the relay is consumable, if the service life of the same specification relay replacement.

- Please confirm the output contact capacity before use, do not exceed its scope.

Wiring Method

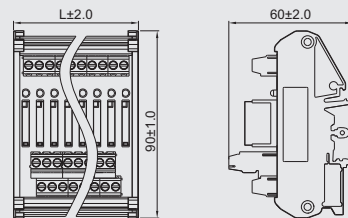
- Input control signal through 1 to 1 wiring of terminal block.
- When the control signal is NPN (low signal input), connect COM to 24V.
- When the control signal is PNP (high signal input), connect COM to 0V.



DM72-RME-04-PN-1-4A-00A(H)
DM72-RME-08-PN-1-4A-00A(H)
DM72-RME-16-PN-1-4A-00A(H)

Features

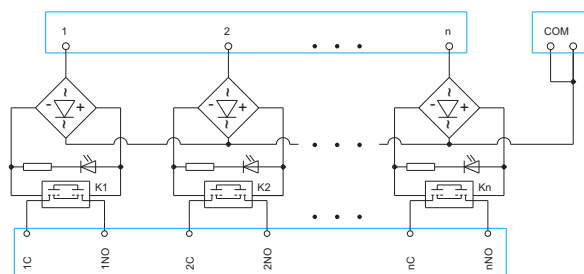
- Including 4, 8, 16 bit independent Solid State relay circuits.
- Applicable to NPN, PNP controller.
- The relay adopts 1N/O node and 1 to 1 output of the output end.
- MOS tube output, no mechanical contact.
- Save wiring space, time and cost.
- Convenient for repair and maintenance.

Dimensions


P/N	L * W * H mm
DM72-RME-04-PN-1-4A-00A(H)	40 * 90 * 60
DM72-RME-08-PN-1-4A-00A(H)	62 * 90 * 60
DM72-RME-16-PN-1-4A-00A(H)	117 * 90 * 60

Performance Parameters

Input Voltage	20VDC~28VDC
Maximum Load Current	2A
Surge Conducts Current	30A(60Hz 1 cycle)
Open state leakage current	1.5mA or less
Load voltage (peak AC)	75~264VAC
Actuation Time	1ms or less
Reset Time	1/2 cycle + 1ms or less
Insulation Resistance	1000MQ/500VDC
Ambient Temperature	-20~+70°C
Maximum Torque	0.4Nm(3.54Lb-In)
Wire Range	26-12AWG
Mounting	TS-15 TS-32 TS-35

Circuit Diagram


DM72-RME-04-PN-1-4A-00A(H) DM72-RME-08-PN-1-4A-00A(H)
DM72-RME-16-PN-1-4A-00A(H)

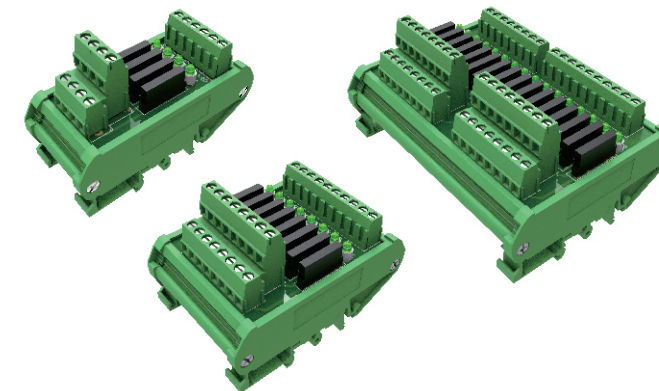
Relay P/N

Panasonic relay P/N: AQQ22224

Ⓞ Please confirm the output contact capacity before use, do not exceed its scope.

Wiring Method

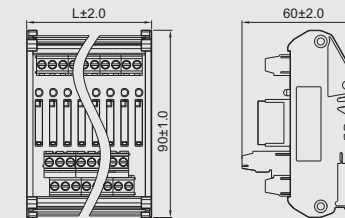
- Input control signal through 1~n.
- When the control signal is NPN (low signal input), connect COM to 24V.
- When the control signal is PNP (high signal input), connect COM to 0V.



DM72-RME-04-PN-1-4D-00A(H)
DM72-RME-08-PN-1-4D-00A(H)
DM72-RME-16-PN-1-4D-00A(H)

Features

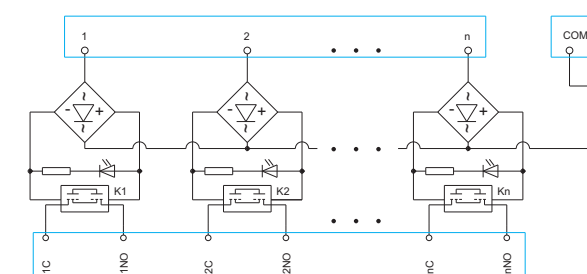
- Including 4, 8, 16 bit independent Solid State relay circuits.
- Applicable to NPN, PNP controller.
- The relay adopts 1N/O node and 1 to 1 output of the output end.
- MOS tube output, no mechanical contact, AC/DC Universal Output.
- Save wiring space, time and cost.
- Convenient for repair and maintenance.

Dimensions


P/N	L * W * H mm
DM72-RME-04-PN-1-4D-00A(H)	40 * 90 * 60
DM72-RME-08-PN-1-4D-00A(H)	62 * 90 * 60
DM72-RME-16-PN-1-4D-00A(H)	117 * 90 * 60

Performance Parameters

Input Voltage	20VDC~28VDC
Input Allowable Loss	75mW
Maximum Load Current	3A
Peak Load Current	9A(100ms)
Open state leakage current	10uA
Load voltage (peak AC)	60VAC/60VDC
Output Loss	1.6W
Actuation Time	Average 2.46ms Max. 5.64ms
Reset Time	Average 0.22ms Max. 3.0ms
Highest Frequency	0.5 times/S
Insulation Resistance	1000MQ/500VDC
Ambient Temperature	-20~+70°C
Maximum Torque	0.4Nm(3.54Lb-In)
Wire Range	26-12AWG
Mounting	TS-15 TS-32 TS-35

Circuit Diagram


DM72-RME-04-PN-1-4D-00A(H) DM72-RME-08-PN-1-4D-00A(H)
DM72-RME-16-PN-1-4D-00A(H)

Relay P/N

Panasonic relay P/N: AQQ2202

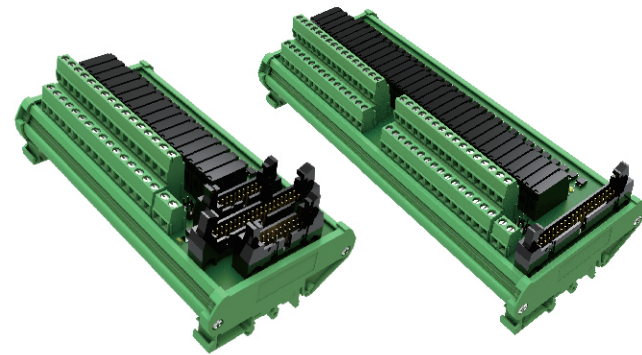
Ⓞ Please confirm the output contact capacity before use, do not exceed its scope.

Wiring Method

- Input control signal through 1~n.
- When the control signal is NPN (low signal input), connect COM to 24V.
- When the control signal is PNP (high signal input), connect COM to 0V.

Subminiature Relay Module

CE RoHS

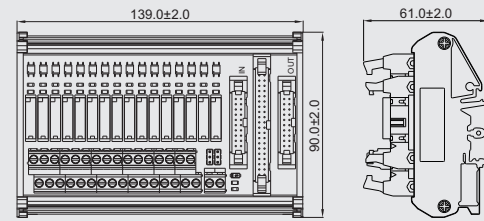


DM72-RMUS-16-PN-1-4M-00A(H)
DM72-RMUS-32-PN-1-4M-00A(H)

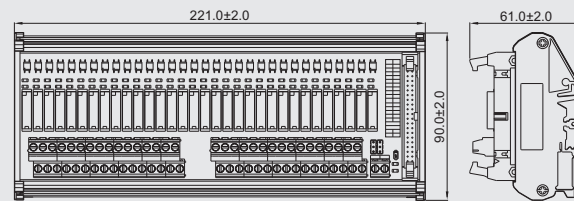
Features

- Including 16, 32 bit independent relay circuits.
- Switch NPN, PNP through jumper.
- The relay adopts 1NO node, and the output terminal outputs one to one.
- Save wiring space, time and cost.
- Convenient for repair and maintenance.

Dimensions



DM72-RMUS-16-PN-1-4M-00A(H)



DM72-RMUS-32-PN-1-4M-00A(H)

Performance Parameters

Withstand Voltage	500VAC 50Hz (1min)
Insulation Resistance	1000MQ/500VDC
Coil Voltage	24VDC
Load Voltage	30VDC/240VAC
Load Current	5A
Load Type	1NO
Ambient Temperature	-20~+70°C
Maximum Torque	0.4Nm(3.54Lb-In)
Wire Range	26-12AWG
Mounting	TS-15 TS-32 TS-35
Relay Brand and Type	Panasonic APAN3124

Suitable PLC

MITSUBISHI Qseries	FX1NC-16MT/32MT	QY41P/QY42P
	FX2NC-16MT/32MT/64MT/96MT	QY71P/QH42P
	FX3UC-16MT/32MT/64MT/96MT	LY41NT1P/LY42NT1P

Related Products

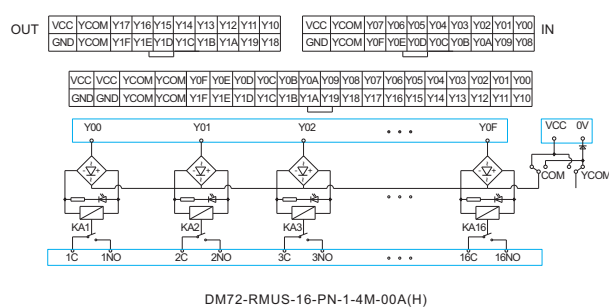
DX210-2 DX210-4

Wiring Method

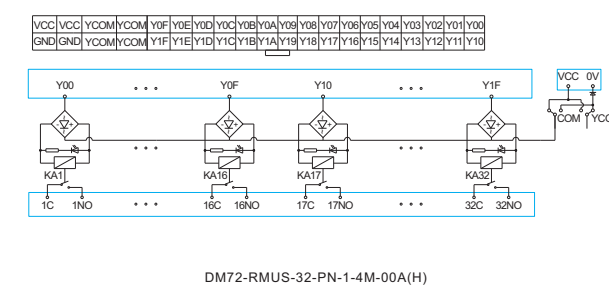
- Make sure to power off first, connect 0V to the terminal "0V" and 24V to the terminal "VCC".
- 40P row insert 40 core connector or Insert 20P row wires 20P "IN".
- Choose one from two kinds of control signal connection methods, do not repeat wiring.
- When the control signal is NPN, short-circuit COM and VCC.
- When the control signal is PNP, short-circuit COM and 0V.
- YCOM is used to control the voltage of A3, B3, A4 and B4. Users can make short connection according to their own requirements.

- Make sure to power off first, connect 0V to the terminal "0V" and 24V to the terminal "VCC".
- When the control signal is NPN, short-circuit COM and VCC.
- When the control signal is PNP, short-circuit COM and 0V.
- YCOM is used to control the voltage of A3, B3, A4 and B4. Users can make short connection according to their own requirements.

Circuit Diagram



DM72-RMUS-16-PN-1-4M-00A(H)

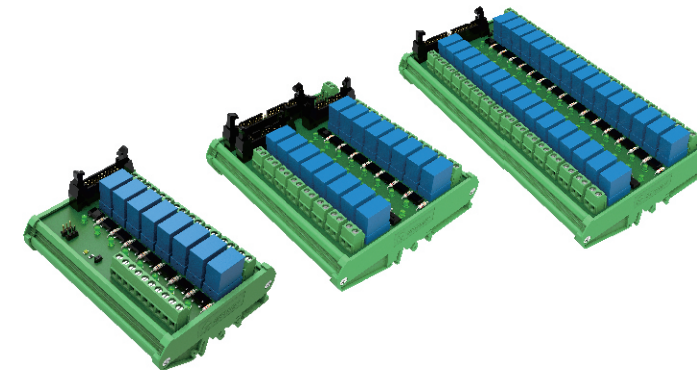


DM72-RMUS-32-PN-1-4M-00A(H)

© Please confirm the output contact capacity before use, do not exceed its scope. The relay is consumable and can be replaced by the same type if its service life is exhausted.

Small Relay Module

CE RoHS

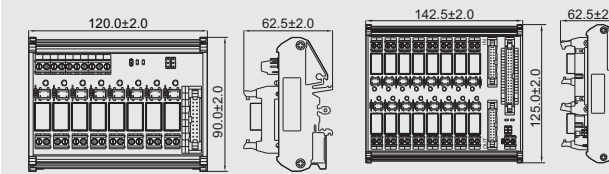


DM72-RMS-08-PN-1-4M-00A(H)
DM108-RMS-16-PN-1-4M-00A(H)
DM108-RMS-32-PN-1-4M-00A(H)

Features

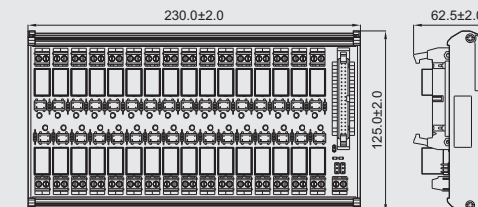
- Including 8, 16, 32 bit independent relay circuits.
- Switch NPN, PNP through jumper.
- The relay adopts 1N/O node, and the output terminal outputs one to one.
- Save wiring space, time and cost.
- Convenient for repair and maintenance.

Dimensions



DM72-RMS-08-PN-1-4M-00A(H)

DM108-RMS-16-PN-1-4M-00A(H)



DM108-RMS-32-PN-1-4M-00A(H)

Performance Parameters

Withstand Voltage	500VAC 50Hz (1min)
Insulation Resistance	1000MQ/500VDC
Coil Voltage	24VDC
Load Voltage	30VDC/240VAC
Load Current	10A
Load Type	1NO
Ambient Temperature	-20~+70°C
Maximum Torque	0.4Nm(3.54Lb-In)
Wire Range	26-12AWG
Mounting	TS-15 TS-32 TS-35
Relay Brand and Type	TE OJE-SS-124HM

Suitable PLC

MITSUBISHI Qseries	FX1NC-16MT/32MT	QY41P/QY42P
	FX2NC-16MT/32MT/64MT/96MT	QY71P/QH42P
	FX3UC-16MT/32MT/64MT/96MT	LY41NT1P/LY42NT1P

Related Products

DX210-2 DX210-4

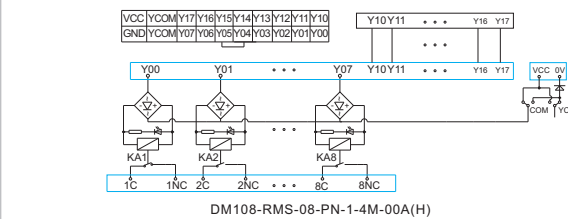
Wiring Method

- Make sure to power off first, connect 0V to the terminal "0V" and 24V to the terminal "VCC".
- 20P row wires inserted into 20 core connectors.
- Control signal of two kinds of connection, do not repeat wiring.
- When the control signal is NPN, short-circuit COM and VCC.
- When the control signal is PNP, short-circuit COM and 0V.
- YCOM is used to control the voltage of A3, B2. Users can make short connection according to their own requirements.

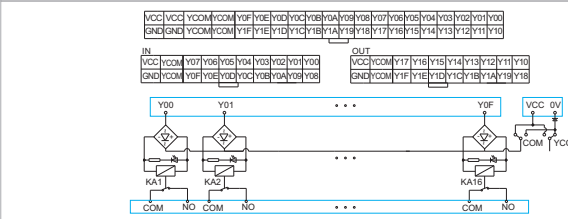
- Make sure to power off first, connect 0V to the terminal "0V" and 24V to the terminal "VCC".
- 40P row insert 40 core connector or Insert 20P row wires 20P "IN".
- Control signal of two kinds of connection, do not repeat wiring.
- When the control signal is NPN, short-circuit COM and VCC.
- When the control signal is PNP, short-circuit COM and 0V.
- YCOM is used to control the voltage of A3, B3, A4 and B4. Users can make short connection according to their own requirements.

- Make sure to power off first, connect 0V to the terminal "0V" and 24V to the terminal "VCC".
- When the control signal is NPN, short-circuit COM and VCC.
- When the control signal is PNP, short-circuit COM and 0V.
- YCOM is used to control the voltage of A3, B3, A4 and B4. Users can make short connection according to their own requirements.

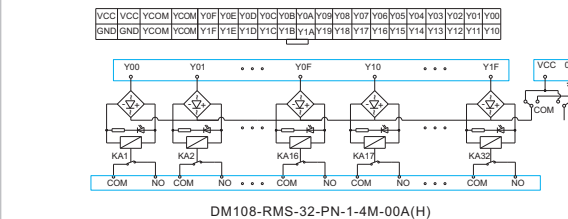
Circuit Diagram



DM108-RMS-08-PN-1-4M-00A(H)

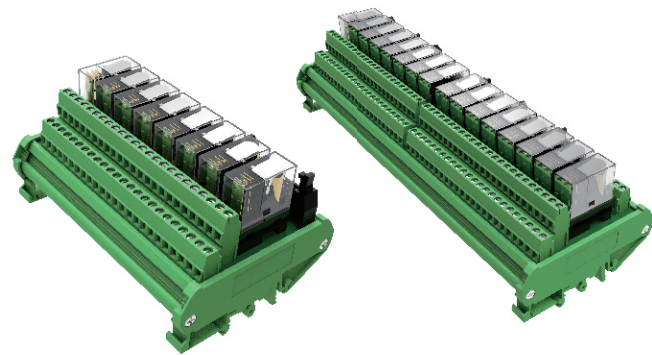


DM108-RMS-16-PN-1-4M-00A(H)



DM108-RMS-32-PN-1-4M-00A(H)

© Please confirm the output contact capacity before use, do not exceed its scope. The relay is consumable and can be replaced by the same type if its service life is exhausted.

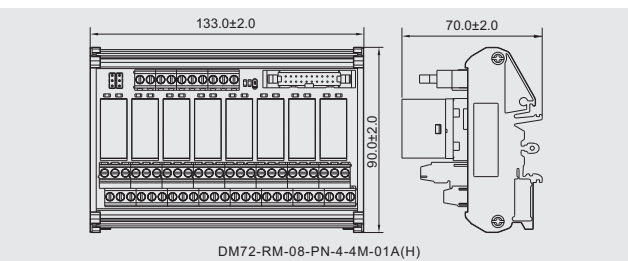


DM72-RM-08-PN-4-4M-01A(H)
DM72-RM-16-PN-4-4M-01A(H)

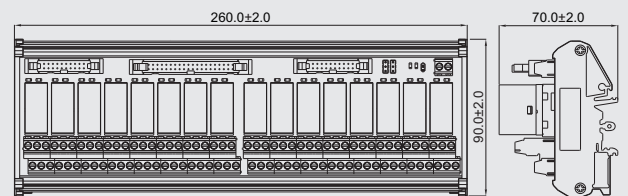
Features

- This module provides 8, 16 bit independent relay circuits.
- Switch NPN,PNP through jumper.
- The relay adopts 2NO/2NC node, and the output terminal outputs one to one.
- Save wiring space, time and cost.
- Convenient for repair and maintenance.

Dimensions

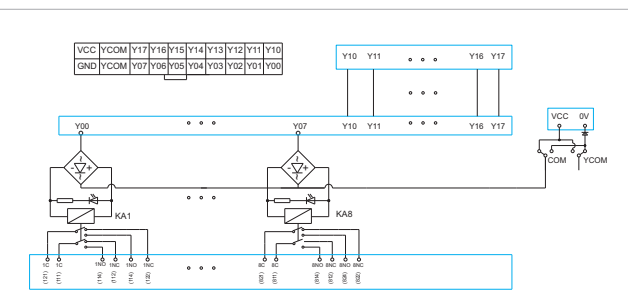


DM72-RM-08-PN-4-4M-01A(H)

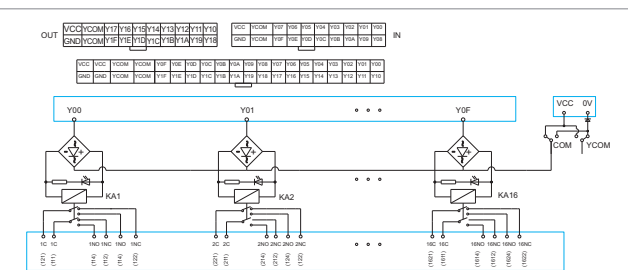


DM72-RM-16-PN-4-4M-01A(H)

Circuit Diagram



DM72-RM-08-PN-4-4M-01A(H)



DM72-RM-16-PN-4-4M-01A(H)

© Please confirm the output contact capacity before use, do not exceed its scope. The relay is consumable and can be replaced by the same type if its service life is exhausted.

Performance Parameters

Withstand Voltage	500VAC 50Hz (1min)
Insulation Resistance	1000MQ/500VDC
Coil Voltage	24VDC
Load Voltage	30VDC/240VAC
Load Current	5A
Load Type	2NO/2NC
Ambient Temperature	-20~+70°C
Maximum Torque	0.4Nm(3.54Lb-In)
Wire Range	26-12AWG
Mounting	TS-15 TS-32 TS-35
Relay Brand and Type	OMRON G2R-2

Suitable PLC

MITSUBISHI Qseries	FX1NC-16MT/32MT	QY41P/QY42P
	FX2NC-16MT/32MT/64MT/96MT	QY71P/QH42P
	FX3UC-16MT/32MT/64MT/96MT	LY41NT1P/LY42NT1P

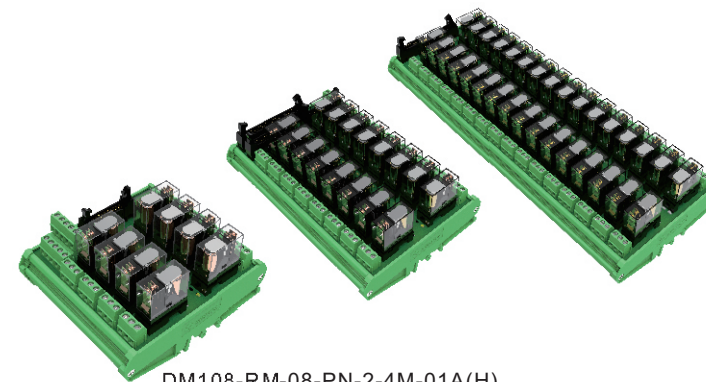
Related Products

DX210-2 DX210-4

Wiring Method

- Make sure to power off first, connect 0V to the terminal "0V" and 24V to the terminal "VCC".
- 20P row wires inserted into 20 core connectors.
- Control signal of two kinds of connection, do not repeat wiring.
- When the control signal is NPN, short-circuit COM and VCC.
- When the control signal is PNP, short-circuit COM and 0V.
- YCOM is used to control the voltage of A3, B2. Users can make short connection according to their own requirements.

- Make sure to power off first, connect 0V to the terminal "0V" and 24V to the terminal "VCC".
- 40P row insert 40 core connector or Insert 20P row wires 20P "IN".
- Control signal of two kinds of connection, do not repeat wiring.
- When the control signal is NPN, short-circuit COM and VCC.
- When the control signal is PNP, short-circuit COM and 0V.
- YCOM is used to control the voltage of A3, B3, A4 and B4. Users can make short connection according to their own requirements.

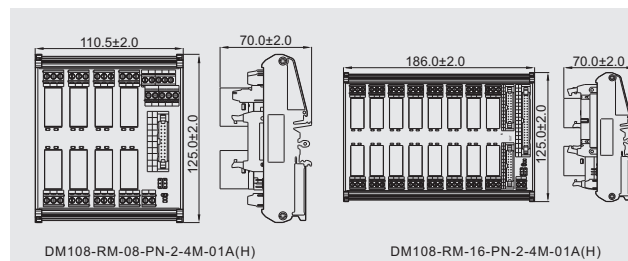


DM108-RM-08-PN-2-4M-01A(H)
DM108-RM-16-PN-2-4M-01A(H)
DM108-RM-32-PN-2-4M-01A(H)

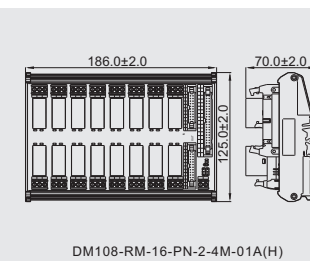
Features

- This module provides 8, 16, 32 bit independent relay circuits.
- Switch NPN,PNP through jumper.
- The relay adopts 1NO/1NC node, and the output terminal outputs one to one.
- Save wiring space, time and cost.
- Convenient for repair and maintenance.

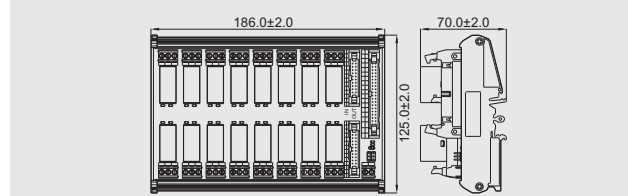
Dimensions



DM108-RM-08-PN-2-4M-01A(H)

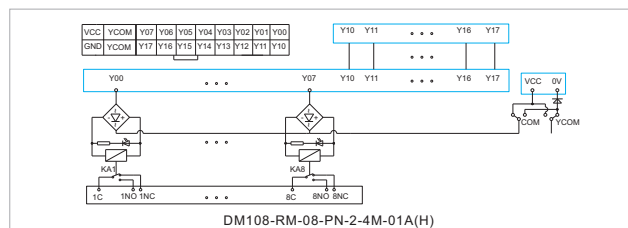


DM108-RM-16-PN-2-4M-01A(H)

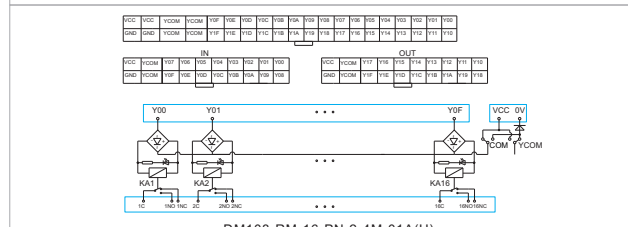


DM108-RM-32-PN-2-4M-01A(H)

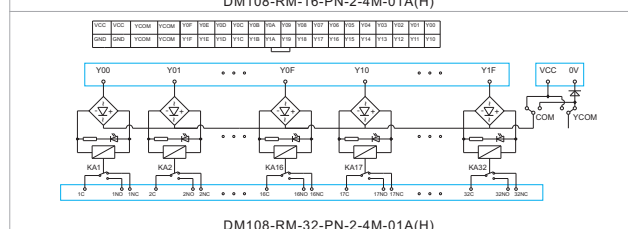
Circuit Diagram



DM108-RM-08-PN-2-4M-01A(H)



DM108-RM-16-PN-2-4M-01A(H)



DM108-RM-32-PN-2-4M-01A(H)

© Please confirm the output contact capacity before use, do not exceed its scope. The relay is consumable and can be replaced by the same type if its service life is exhausted.

Performance Parameters

Withstand Voltage	500VAC 50Hz (1min)
Insulation Resistance	1000MQ/500VDC
Coil Voltage	24VDC
Load Voltage	30VDC/240VAC
Load Current	16A
Load Type	1NO + 1NC
Ambient Temperature	-20~+70°C
Maximum Torque	0.4Nm(3.54Lb-In)
Wire Range	26-12AWG
Mounting	TS-15 TS-32 TS-35
Relay Brand and Type	OMRON G2R-1-E

Suitable PLC

MITSUBISHI Qseries	FX1NC-16MT/32MT	QY41P/QY42P
	FX2NC-16MT/32MT/64MT/96MT	QY71P/QH42P
	FX3UC-16MT/32MT/64MT/96MT	LY41NT1P/LY42NT1P

Related Products

DX210-2 DX210-4

Wiring Method

- Make sure to power off first, connect 0V to the terminal "0V" and 24V to the terminal "VCC".
- 20P row wires inserted into 20 core connectors.
- Control signal of two kinds of connection, do not repeat wiring.
- When the control signal is NPN, short-circuit COM and VCC.
- When the control signal is PNP, short-circuit COM and 0V.
- YCOM is used to control the voltage of A3, B2. Users can make short connection according to their own requirements.

- Make sure to power off first, connect 0V to the terminal "0V" and 24V to the terminal "VCC".
- 40P row insert 40 core connector or Insert 20P row wires 20P "IN".
- Control signal of two kinds of connection, do not repeat wiring.
- When the control signal is NPN, short-circuit COM and VCC.
- When the control signal is PNP, short-circuit COM and 0V.
- YCOM is used to control the voltage of A3, B3, A4 and B4. Users can make short connection according to their own requirements.

- Make sure to power off first, connect 0V to the terminal "0V" and 24V to the terminal "VCC".
- When the control signal is NPN, short-circuit COM and VCC.
- When the control signal is PNP, short-circuit COM and 0V.
- YCOM is used to control the voltage of A3, B3, A4 and B4. Users can make short connection according to their own requirements.

DPS1-75W Power Supplies



Features

- DC Output Voltage Adjustable
- Universal AC Input 90~264V
- Protection: Short Circuit/Overload/Over Voltage/Over Temperature
- Free Air Convection Design
- Three Years Warranty

Specification

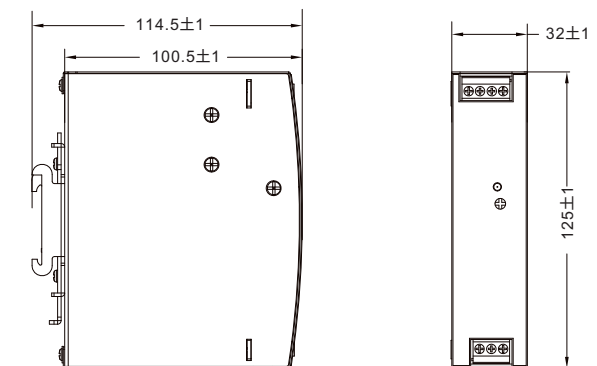
Product name	DPS1-75W-D12-02A(H)	DPS1-75W-D24-02A(H)	DPS1-75W-D48-02A(H)
Input Parameter			
Input voltage range	90 ~264VAC, 127 ~ 370VDC[DC input by connecting AC/L(+),AC/N(-)]		
Input frequency range	47...63Hz		
Input current	1.45A/115VAC 0.9A/230VAC		
Impulse current	35A/230VAC		
Power consumption	0.5W		
Connection mode	Terminal blocks		
Output Parameter			
Output efficiency	85.5%	88%	88%
Output rated voltage	12V	24V	48V
Range of output voltage	12~14V	24~28V	48~55V
Output rated current	6.3A	3.2A	1.6A
Rated power	75.6W	76.8W	76.8W
Voltage ripple (20MHz)	80 mVp-p	120 mVp-p	150 mVp-p
Setup, Rise time	1200ms, 60ms/230VAC at full load 2000ms, 60ms/115VAC at full load		
Line regulation	±0.5%		
Load regulation	±1.0%		
Leakage current	<1mA/240VAC		
Coefficient of temperature drift	+0.03%/°C(0~50°C)		
Power-down hold time	60ms/230VAC at fullload 12ms/115VAC at full load		
Switching frequency	50Khz~80Khz		
Connection mode	Terminal blocks		

DPS1-75W Power Supplies



Product name	DPS1-75W-D12-02A(H)	DPS1-75W-D24-02A(H)	DPS1-75W-D48-02A(H)
Mechanical Parameter			
Size (L X W X D)	125x32x100.5mm		
Weight	0.51kg		
Shell material	Metal		
DC light	OK		
Environmental Parameter			
Working temperature	-20 ~ +70 °C (Refer to " Derating Curve)		
Storage temperature	-40°C ~ + 85°C		
Storage humidity	10...95%RH		
Working humidity	20 ~ 95% RH non-condensing		
Vibration test	IEC 60068-2-6(X, Y, Z axis, 2G)		
Operational altitude	2000m		
Security Parameter			
Overcurrent protection range	105 ~ 130% rated output power Protection type : Constant current limiting, recovers automatically		
Overvoltage protection	14~17V	29~33V	56~65V
	Protection type : Constant current limiting, recovers automatically after fault condition is removed		
Overheat protection	Protection type : Shut down o/p voltage, re-power on to recover		
Short circuit protection	3.2A shutdown, restart and restore		
Safety standard	UL508.BS/EN62368-1		
Mean Time between failures	2343.7K hrs min. Telordia SR-332 (Bellcore)		

Dimensional Drawing



DPS1-120 W Power Supplies



Features

- DC Output Voltage Adjustable
- Universal AC Input 90~264V
- Protection: Short Circuit/Overload/Over Voltage/Over Temperature
- Free Air Convection Design
- Three Years Warranty

Specification

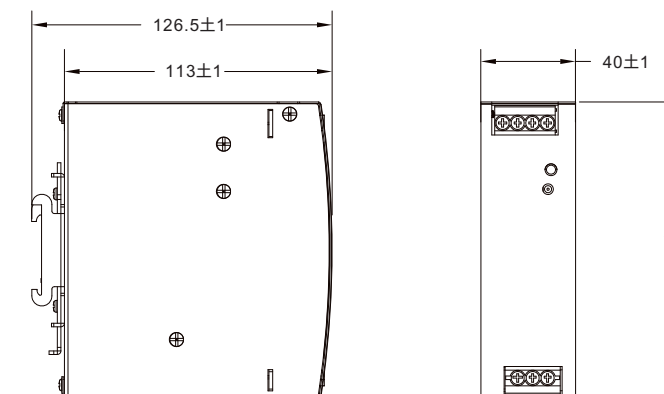
Product name	DPS1-120W-D12-02A(H)	DPS1-120W-D24-02A(H)	DPS1-120W-D48-02A(H)
Input Parameter			
Input voltage range	90 ~264VAC, 127 ~ 370VDC[DC input by connecting AC/L(+),AC/N(-)]		
Input frequency range	47...63Hz		
Input current	2.25A/115VAC 1.3A/230VAC		
Impulse current	35A/230VAC		
Power consumption	0.6W		
Connection mode	Terminal blocks		
Output Parameter			
Output efficiency	85.5%	88%	89%
Output rated voltage	12V	24V	48V
Range of output voltage	12~14V	24~28V	48~55V
Output rated current	10A	5A	2.5A
Rated power	120W		
Voltage ripple (20MHz)	100 mVp-p	120 mVp-p	150 mVp-p
Setup, Rise time	1200ms, 60ms/230VAC at full load 2500ms, 60ms/115VAC at full load		
Line regulation	±0.5%		
Load regulation	±1.0%		
Leakage current	<1mA/240VAC		
Coefficient of temperature drift	+0.03%/°C(0~50°C)		
Power-down hold time	16ms/230VAC at fullload 10ms/115VAC at full load		
Switching frequency	50Khz~80Khz		
Connection mode	Terminal blocks		

DPS1-120 W Power Supplies



Product name	DPS1-120W-D12-02A(H)	DPS1-120W-D24-02A(H)	DPS1-120W-D48-02A(H)
Mechanical Parameter			
Size (L X W X D)	125×40×113mm		
Weight	0.6kg		
Shell material	Metal		
DC light	OK		
Environmental Parameter			
Working temperature	-20 ~ +70 °C (Refer to " Derating Curve)		
Storage temperature	-40~+85 °C, 10 ~95% RH		
Storage humidity	10...95%RH		
Working humidity	20 ~ 95% RH non-condensing		
Vibration test	IEC 60068-2-6(X, Y, Z axis, 2G)		
Operational altitude	2000m		
Security Parameter			
Overcurrent protection range	105 ~ 130% rated output power Protection type : Constant current limiting, recovers automatically		
Overvoltage protection	14~17V	29~33V	56~65V
	Protection type : Constant current limiting, recovers automatically after fault condition is removed		
Overheat protection	Protection type : Shut down o/p voltage, re-power on to recover		
Short circuit protection	3.2A shutdown, restart and restore		
Safety standard	UL508,BS/EN62368-1		
Mean Time between failures	2241.28K hrs min. Telcordia SR-332 (Bellcore)		

Dimensional Drawing





Features

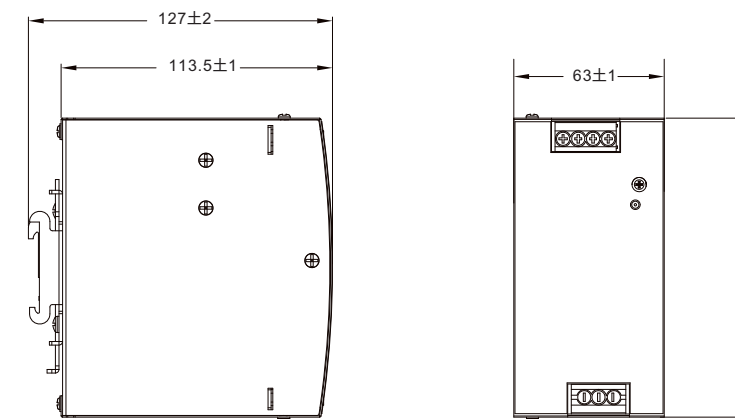
- DC Output Voltage Adjustable
- Universal AC Input 90~264V
- Protection: Short Circuit/Overload/Over Voltage/Over Temperature
- Free Air Convection Design
- Three Years Warranty

Specification

Product name	DPS1-240W-D24-02A(H)	DPS1-240W-D48-02A(H)
Input Parameter		
Input voltage range	90 ~264VAC, 127 ~ 370VDC[DC input by connecting AC/L(+),AC/N(-)]	
Input frequency range	47...63Hz	
Input current	2.5A/115VAC 1.3A/230VAC	
Impulse current	35A/230VAC	
Power consumption	5W	
Connection mode	Terminal blocks	
Output Parameter		
Output efficiency	87%	88%
Output rated voltage	24V	48V
Range of output voltage	24~28V	48~55V
Output rated current	10A	5A
Rated power	240W	
Voltage ripple (20MHz)	150 mVp-p	
Setup, Rise time	1500ms, 100ms/230VAC at full load 3000ms, 100ms/115VAC at full load	
Line regulation	±0.5%	
Load regulation	±1.0%	
Leakage current	<1mA/240VAC	
Coefficient of temperature drift	+0.03%/°C(0~50°C)	
Power-down hold time	16ms/230VAC at full load 12ms/115VAC at full load	
Switching frequency	50Khz~80Khz	
Connection mode	Terminal blocks	

Product name	DPS1-240W-D24-02A(H)	DPS1-240W-D48-02A(H)
Mechanical Parameter		
Size (L X W X D)	125×63×113.5mm	
Weight	1kg	
Shell material	Metal	
DC light	OK	
Environmental Parameter		
Working temperature	-20 ~ +70 °C (Refer to " Derating Curve)	
Storage temperature	-40°C ~ + 85°C	
Storage humidity	10...95%RH	
Working humidity	20 ~ 95% RH non-condensing	
Vibration test	IEC 60068-2-6(X, Y, Z axis, 2G)	
Operational altitude	2000m	
Security Parameter		
Overcurrent protection range	105 ~ 130% rated output power Protection type : Constant current limiting, recovers automatically	
Overvoltage protection	29~33V	56~65V
	Protection type : Constant current limiting, recovers automatically after fault condition is removed	
Overheat protection	Protection type : Shut down o/p voltage, re-power on to recover	
Short circuit protection	10-13A Hiccup Protection	
Safety standard	UL508.BS/EN62368-1	
Mean Time between failures	1398.4K hrs min. Telordia SR-332 (Bellcore)	

Dimensional Drawing





Features

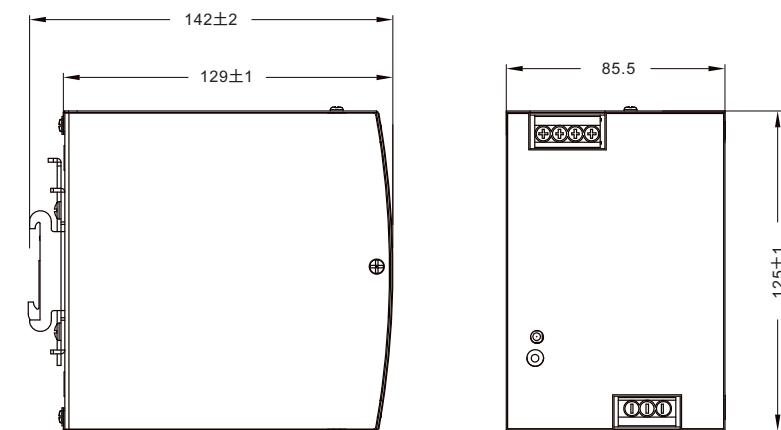
- DC Output Voltage Adjustable
- Universal AC Input 90~264V
- Protection: Short Circuit/Overload/Over Voltage/Over Temperature
- Free Air Convection Design
- Three Years Warranty

Specification

Product name	DPS1-480W-D24-02A(H)	DPS1-480W-D48-02A(H)
Input Parameter		
Input voltage range	90 ~ 264VAC, 127 ~ 370VDC [DC input by connecting AC/L(+), AC/N(-)]	
Input frequency range	47...63Hz	
Input current	4.8A/115VAC 2.4A/230VAC	
Impulse current	35A/230VAC	
Power consumption	7W	
Connection mode	Terminal blocks	
Output Parameter		
Output efficiency	92%	
Output rated voltage	24V	48V
Range of output voltage	24~28V	48~55V
Output rated current	20A	10A
Rated power	480W	
Voltage ripple (20MHz)	150 mVp-p	
Setup, Rise time	1500ms, 100ms/230VAC at full load 3000ms, 100ms/115VAC at full load	
Line regulation	±0.5%	
Load regulation	±1.0%	
Leakage current	<1mA/240VAC	
Coefficient of temperature drift	+0.03%/°C(0~50°C)	
Power-down hold time	16ms/230VAC at fullload 12ms/115VAC at full load	
Switching frequency	50Khz~80Khz	
Connection mode	Terminal blocks	

Product name	DPS1-480W-D24-02A(H)	DPS1-480W-D48-02A(H)
Mechanical Parameter		
Size (L X W X D)	125x85.5x129mm	
Weight	1.5kg	
Shell material	Metal	
DC light	OK	
Environmental Parameter		
Working temperature	-20 ~ +70 °C (Refer to " Derating Curve)	
Storage temperature	-40°C ~ + 85°C	
Storage humidity	10...95%RH	
Working humidity	20 ~ 95% RH non-condensing	
Vibration test	IEC 60068-2-6(X, Y, Z axis, 2G)	
Operational altitude	2000m	
Security Parameter		
Overcurrent protection range	105 ~ 130% rated output power Protection type : Constant current limiting, recovers automatically	
Overvoltage protection	29~33V	56~65V
	Protection type : Constant current limiting, recovers automatically after fault condition is removed	
Overheat protection	Protection type : Shut down o/p voltage, re-power on to recover	
Short circuit protection	20-25A latching, reloading and restarting	
Safety standard	UL508.BS/EN62368-1	
Mean Time between failures	885.4K hrs min. Telordia SR-332 (Bellcore)	

Dimensional Drawing





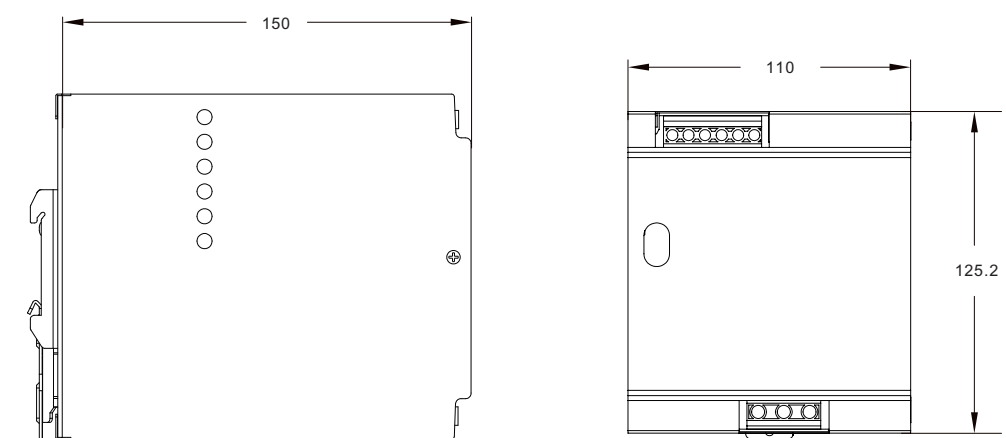
Features

- Higher Peak load capability
- Parallel connections with max 4 PSU up to 3840W
- Built-in DC OK Contact
- Built-in Active PFC Function
- DC Output Voltage Adjustable
- Three Years Warranty

Specification

Product name	DPS1-960W-D24-02A(H)	DPS1-960W-D48-02A(H)
Input Parameter		
Input voltage range	180~264VAC, 257~370VDC	
Input frequency range	47...63Hz	
Input Current	6A/230VAC	
Impulse current	50A/230VAC cold start	
Power consumption	7W	
Connection mode	Terminal blocks	
Output Parameter		
Output efficiency	94%	
Output rated voltage	24V	48V
Range of output voltage	24~28V	48~55V
Output rated current	40A	20A
Rated power	960W	
Voltage ripple (20MHz)	180 mVp-p	250 mVp-p
Setup, Rise time	1000ms, 100ms/230VAC at full load	
Line regulation	±0.5%	
Load regulation	±1.0%	
Leakage current	<3.5mA/240VAC	
Coefficient of temperature drift	±0.03%/C(0~50C)	
Power-down hold time	14ms/230VAC at full load	
Switching frequency	50Khz~80Khz	
Connection mode	Terminal blocks	

Product name	DPS1-960W-D24-02A(H)	DPS1-960W-D48-02A(H)
Mechanical Parameter		
Size (L X W X D)	125.2×110×150mm	
Weight	2.47kg	
Shell material	Metal	
DC light	OK	
Environmental Parameter		
Working temperature	-30 ~ +70 °C (Refer to " Derating Curve)	
Storage temperature	-40°C ~ + 85°C	
Storage humidity	10 ~ 95% RH non-condensing	
Working humidity	20 ~ 95% RH non-condensing	
Vibration test	IEC 60068-2-6(X, Y, Z axis, 2G)	
Operational altitude	2000m	
Security Parameter		
Overcurrent protection range	Normally works within 105 ~ 130% rated output power for more than 3 seconds and then shut down o/p voltage with auto-recovery after 30 seconds if the peak load condition is removed. Constant current limiting within 130 ~ 150% rated output power for more than 3 seconds and then shut down o/p voltage, re-power on to recover	
Overvoltage protection	24~33V	56~65V
	Protection type : Shut down o/p voltage, recovers automatically after temperature goes down	
Overheat protection	Protection type : Shut down o/p voltage, recovers automatically after temperature goes down	
Short circuit protection	Restart and restore	
Safety standard	UL508,BS/EN62368-1	
Mean Time between failures	561.17K hrs min. Telcordia SR-332 (Bellcore)	
Dimensional Drawing		





Features

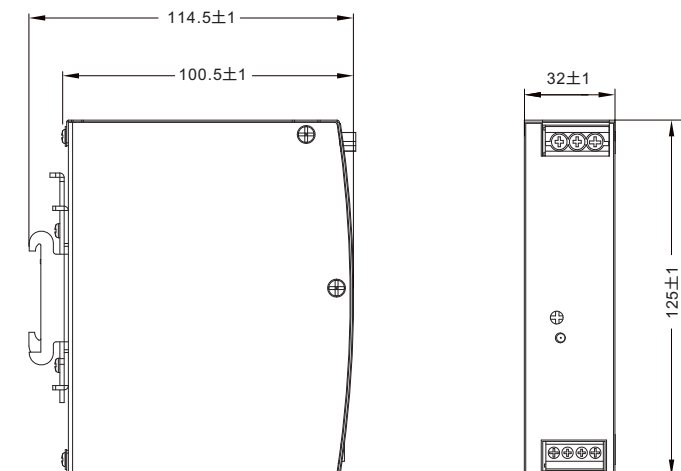
- Single or Two Phase Ultra Wide Input Range 180~550 VAC
- Over Voltage Category III
- Built-in DC OK Contact
- Protection: Short Circuit/Overload/Over Voltage/Over Temperature
- Built-in Constant Current Limiting Circuit
- Three Years Warranty

Specification

Product name	DPS1-WI-60W-D5-02A(H)	DPS1-WI-60W-D12-02A(H)	DPS1-WI-60W-D24-02A(H)	DPS1-WI-60W-D48-02A(H)
Input Parameter				
Input voltage range	90 ~ 264VAC, 127 ~ 370VDC[DC input by connecting AC/L(+), AC/N(-)]			
Input frequency range	47...63Hz			
Input Current	0.4A/400Vac 0.7A/230Vac			
Impulse current	COLD START 50A			
Power consumption	3W			
Connection mode	Terminal blocks			
Output Parameter				
Output efficiency	83.5%/400Vac	86.5%/400Vac	89%/400Vac	90.5%/400Vac
Output rated voltage	5V	12V	24V	49V
Range of output voltage	5-6V	12-15V	27-29V	48-57V
Output rated current	10A	5A	2.5A	1.25A
Rated power	50W	60W	60W	60W
Voltage ripple (20MHz)	100 mVp-p	120 mVp-p	150 mVp-p	200 mVp-p
Setup, Rise time	1000ms, 70ms /400VAC at full load 2000ms, 70ms /230VAC at full load			
Line regulation	±0.5%			
Load regulation	±1.5%	±0.5%	±0.5%	±0.5%
Leakage current	<2mA /530Vac			
Coefficient of temperature drift	±0.03%/°C(0~60°C)			
Power-down hold time	20ms /400VAC at full load 10ms /230VAC at full load			
Switching frequency	50Khz~80Khz			
Connection mode	Terminal blocks			

Product name	DPS1-WI-60W-D5-02A(H)	DPS1-WI-60W-D12-02A(H)	DPS1-WI-60W-D24-02A(H)	DPS1-WI-60W-D48-02A(H)
Mechanical Parameter				
Size (L X W X D)	32×100.5×125mm			
Weight	0.45kg			
Shell material	Metal			
DC light	OK			
DC OK contact	30VDC 1A resistive load			
Environmental Parameter				
Working temperature	-30 ~ +85 °C (Refer to " Derating Curve)			
Storage temperature	-40°C ~ + 85°C			
Storage humidity	10...95%RH			
Working humidity	20 ~ 95% RH non-condensing			
Vibration test	Component: 10 ~ 500Hz, 2G 10min./1cycle, 60min. each along X, Y Z axes; Mounting clip: Compliance to IEC60068-2-6.			
Operational altitude	2000m			
Security Parameter				
Overcurrent protection range	105 ~ 135% rated output power Hiccup mode when output voltage <50%. recovers automatically after fault condition is removed. Constant current limiting within 50% ~ 100% rated output voltage, recovers automatically after fault condition is removed			
Overvoltage protection	6.2V-7.2V	16-18V	31-37V	58-60.5V
Overheat protection	Protection type : Shut down o/p voltage, re-power on to recover			
Short circuit protection	Hiccup mode			
Safety standard	UL61010-1,UL61010-2-201,BS EN/EN62368-1			
Mean Time between failures	1600K hrs min. Telcordia SR-332 (Bellcore)			

Dimensional Drawing





Features

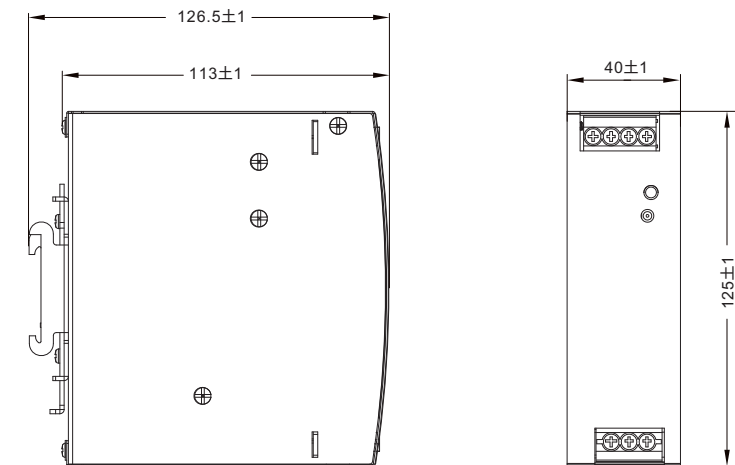
- Single or Two Phase Ultra Wide Input Range 180~550VAC
- Protection: Short Circuit/Overload/Over Voltage/Over Temperature
- Built-in DC OK Contact
- Built-in Constant Current Limiting Circuit
- Three Years Warranty

Specification

Product name	DPS1-WI-120W-D12-02A(H)	DPS1-WI-120W-D24-02A(H)	DPS1-WI-120W-D48-02A(H)
Input Parameter			
Input voltage range	180 ~ 550VAC 254 ~ 780VDC		
Input frequency range	47...63Hz		
Input Current	0.4A/400Vac 1.2A/230Vac		
Impulse current	COLD START 50A		
Power consumption	3W		
Connection mode	Terminal blocks		
Output Parameter			
Output efficiency	89.5%/400Vac	91.0%/400Vac	92.0%/400Vac
Output rated voltage	12V	24V	48V
Range of output voltage	12~15V	24~29V	48~58V
Output rated current	10A	5A	2.5A
Rated power	120W		
Voltage ripple (20MHz)	120 mVp-p	120 mVp-p	150 mVp-p
Setup, Rise time	1000ms, 70ms /400VAC at full load 2000ms, 70ms /230VAC at full load		
Line regulation	±0.5%		
Load regulation	±0.5%		
Leakage current	<3.5mA / 530Vac		
Coefficient of temperature drift	±0.03%/°C(0~50°C)		
Power-down hold time	18ms /400VAC at full load 18ms /230VAC at full load		
Switching frequency	50Khz~80Khz		
Connection mode	Terminal blocks		

Product name	DPS1-WI-120W-D12-02A(H)	DPS1-WI-120W-D24-02A(H)	DPS1-WI-120W-D48-02A(H)
Mechanical Parameter			
Size (L X W X D)	40x113x125mm		
Weight	0.65kg		
Shell material	Metal		
DC light	OK		
DC OK contact	30VDC 1A resistive load		
Environmental Parameter			
Working temperature	-25 ~ +70 °C (Refer to " Derating Curve)		
Storage temperature	-40°C ~ + 85°C		
Storage humidity	10...95%RH		
Working humidity	20 ~ 95% RH non-condensing		
Vibration test	Component: 10 ~ 500Hz, 2G 10min./1cycle, 60min. each along X, Y Z axes; Mounting clip: Compliance to IEC60068-2-6.		
Operational altitude	2000m		
Security Parameter			
Overcurrent protection range	105 ~ 130% rated output power Protection type : Constant current limiting, recovers automatically after fault condition is removed		
Overvoltage protection	15~17V	29~33V	58~65V
	Protection type : Shut down o/p voltage, re-power on to recover		
Overheat protection	Shut down o/p voltage, recovers automatically after temperature goes down		
Short circuit protection	Self-recovery		
Safety standard	UL61010-1, UL61010-2-201, BS EN/EN62368-1		
Mean Time between failures	1600K hrs min. Telcordia SR-332 (Bellcore)		

Dimensional Drawing





Features

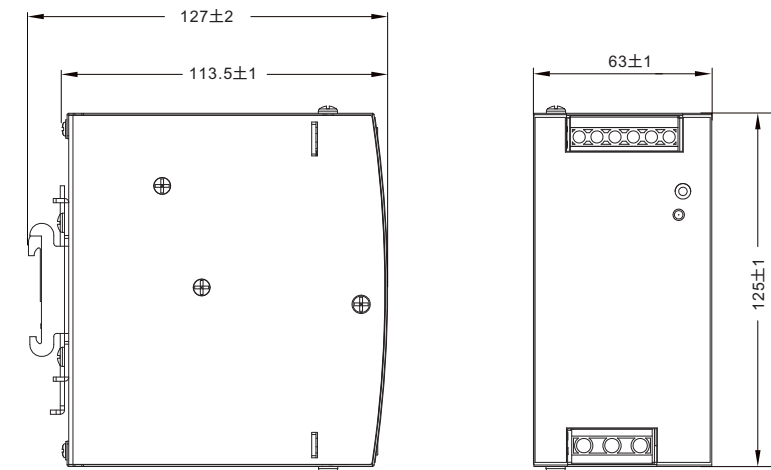
- Single or Two Phase Ultra Wide Input Range 180~550VAC
- Built-in Active PFC Circuit
- Built-in DC OK Contact
- Protection: Short Circuit/Overload/Over Voltage/Over Temperature
- Built-in Constant Current Limiting Circuit
- High Efficiency 91% and Lower Power Dissipation
- Three Years Warranty

Specification

Product name	DPS1-WI-240W-D24-02A(H)	DPS1-WI-240W-D48-02A(H)
Input Parameter		
Input voltage range	180 ~ 550VAC 254 ~ 780VDC	
Input frequency range	47...63Hz	
Input current	1A/400Vac 2A/230Vac	
Impulse current	COLD START 50A	
Power consumption	6W	
Connection mode	Terminal blocks	
Output Parameter		
Output efficiency	91%	
Output rated voltage	24V	48V
Range of output voltage	24~28V	48~55V
Output rated current	10A	5A
Rated power	240W	
Voltage ripple (20MHz)	150mVp-p	
Setup, Rise time	800ms, 150ms/400Vac at full load 1500ms, 150ms/230Vac at full load	
Line regulation	±0.5%	
Load regulation	±1.0%	
Leakage current	<3.5mA / 530Vac	
Coefficient of temperature drift	±0.03%/°C(0~50°C)	
Power-down hold time	18ms/400Vac at full load 18ms/230Vac at full load	
Switching frequency	50Khz~80Khz	
Connection mode	Terminal blocks	

Product name	DPS1-WI-240W-D24-02A(H)	DPS1-WI-240W-D48-02A(H)
Mechanical Parameter		
Size (L X W X D)	63×113.5×125mm	
Weight	1kg	
Shell material	Metal	
DC light	OK	
DC OK contact	60VDC 0.3A, 30VDC 1A, 30VAC 0.5A resistive load	
Environmental Parameter		
Working temperature	-30 ~ +70 °C (Refer to " Derating Curve)	
Storage temperature	-40°C ~ + 85°C	
Storage humidity	10...95%RH	
Working humidity	20 ~ 95% RH non-condensing	
Vibration test	Component: 10 ~ 500Hz, 2G 10min./1cycle, 60min. each along X, Y Z axes; Mounting clip: Compliance to IEC60068-2-6.	
Operational altitude	2000m	
Security Parameter		
Overcurrent protection range	105 ~ 130% rated output power Protection type : Constant current limiting, unit will shut down after 3 sec., auto-recovery after 1 minute if the fault condition is removed.	
Overvoltage protection	29~33V	56~65V
	Protection type: Shut down o/p voltage, auto-recovery after 1 minute if the fault condition is removed.	
Overheat protection	90 °C±5°C (TSW) detect on heat sink of power switch. Protection type : Shut down o/p voltage, recovers automatically after temperature goes down.	
Short circuit protection	Self-recovery	
Safety standard	UL61010-1, UL61010-2-201, BS EN/EN62368-1	
Mean Time between failures	900K hrs min. Telcordia SR-332 (Bellcore)	

Dimensional Drawing





Features

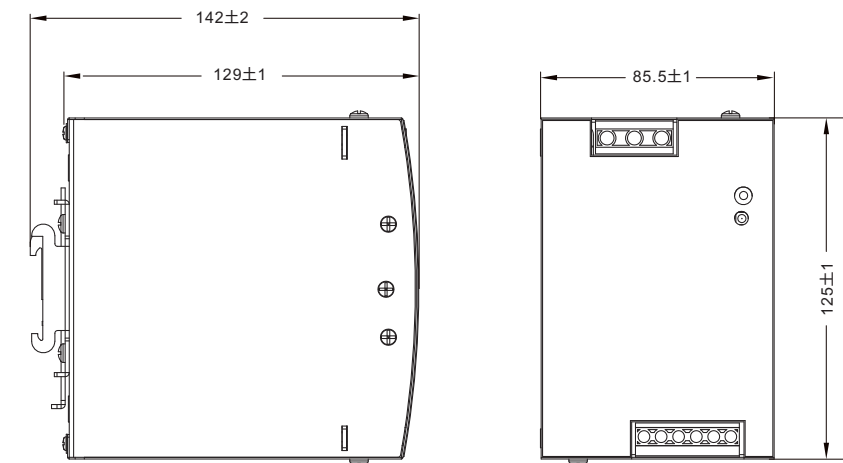
- Single or Two Phase Ultra Wide Input Range 180~550VAC
- Built-in Active PFC Circuit
- Built-in DC OK Contact
- Protection: Short Circuit/Overload/Over Voltage/Over Temperature
- Built-in Constant Current Limiting Circuit
- High Efficiency 93% and Lower Power Dissipation
- Three Years Warranty

Specification

Product name	DPS1-WI-480W-D24-02A(H)	DPS1-WI-480W-D48-02A(H)
Input Parameter		
Input voltage range	180 ~ 550VAC 254 ~ 780VDC	
Input frequency range	47...63Hz	
Input current	1.6A/400Vac 4A/230Vac	
Impulse current	COLD START 50A	
Power consumption	7W	
Connection mode	Terminal blocks	
Output Parameter		
Output efficiency	91%	93%
Output rated voltage	24V	48V
Range of output voltage	24~28V	48~55V
Output rated current	20A	10A
Rated power	480W	
Voltage ripple (20MHz)	100 mVp-p	150 mVp-p
Setup, Rise time	800ms, 150ms/400Vac at full load 1500ms, 150ms/230Vac at full load	
Line regulation	±0.5%	
Load regulation	±1.0%	
Leakage current	<3.5mA / 530Vac	
Coefficient of temperature drift	±0.03%/°C(0~50°C)	
Power-down hold time	18ms/400Vac at full load 16ms/400Vac at full load	
Switching frequency	50Khz~80Khz	
Connection mode	Terminal blocks	

Product name	DPS1-WI-480W-D24-02A(H)	DPS1-WI-480W-D48-02A(H)
Mechanical Parameter		
Size (L X W X D)	85.5×129×125mm	
Weight	1.7kg	
Shell material	Metal	
DC light	OK	
DC OK contact	60VDC 0.3A, 30VDC 1A, 30VAC 0.5A resistive load	
Environmental Parameter		
Working temperature	-30 ~ +70°C (Refer to " Derating Curve ")	
Storage temperature	-40°C ~ + 85°C	
Storage humidity	10...95%RH	
Working humidity	20 ~ 95% RH non-condensing	
Vibration test	Component: 10 ~500Hz, 2G 10min./1cycle, 60min. each along X, Y, Z axes; Mounting clip: Compliance to IEC60068-2-6.	
Operational altitude	2000m	
Security Parameter		
Overcurrent protection range	105 ~ 130% rated output power. Protection type : Constant current limiting, unit will shut down after 3 sec., auto-recovery after 1 minute if the fault condition is removed .	
Overvoltage protection	29~33V	56~65V
	Protection type: Shut down o/p voltage, auto-recovery after 1 minute if the fault condition is removed.	
Overheat protection	95 °C ±5°C (TSW) detect on heat sink of power switch. Protection type : Shut down o/p voltage, recovers automatically after temperature goes down.	
Short circuit protection	Self-recovery	
Safety standard	UL61010-1, UL61010-2-201, BS EN/EN62368-1	
Mean Time between failures	700K hrs min. Telcordia SR-332 (Bellcore) ; 112.8K hrs min. MILHDBK-217F (25 C)	

Dimensional Drawing





Features

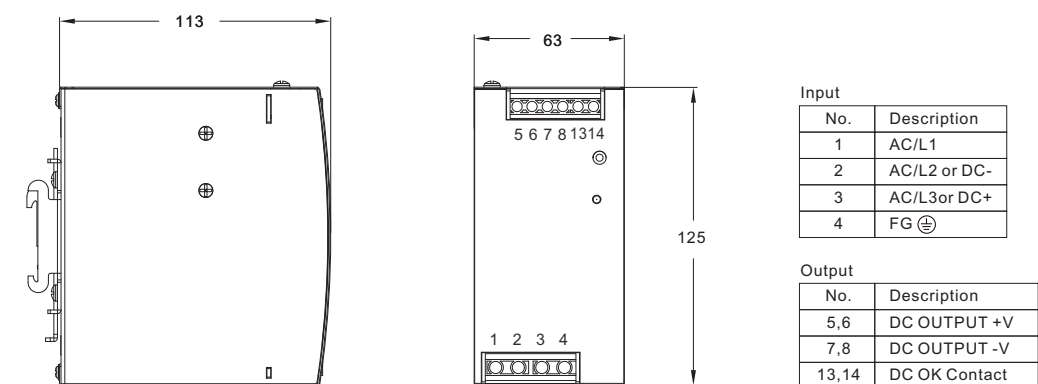
- 3-Phase 340~550VAC Wide Range Input (2-phase operation possible)
- Built-in Passive PFC Function
- Protection: Short Circuit/Overload/Over Voltage/Over Temperature
- DC OK Contact
- Built-in Constant Current Limiting Circuit
- High Efficiency 92% and Low Power Dissipation
- Full Power Between -30~+60°C
- Three Years Warranty

Specification

Product name	DPS3-240W-D24-02A(H)	DPS3-240W-D48-02A(H)
Input Parameter		
Input voltage range	Three-Phase 340 ~ 550VAC (Dual phase operation possible inconnecting L1,L3,FG or L2,L3,FG) or 480 ~780VDC	
Input frequency range	47...63Hz	
Input current	0.69A/400VAC 0.6A/500VAC	
Impulse current	COLD START 50A	
Power consumption	5W	
Connection mode	Terminal blocks	
Output Parameter		
Output efficiency	92%	
Output rated voltage	24V	48V
Range of output voltage	24~28V	48~55V
Output rated current	10A	5A
Rated power	240W	
Voltage ripple (20MHz)	100 mVp-p	120 mVp-p
Setup, Rise time	2000ms, 60ms/400VAC at full load 1500ms, 60ms/500VAC at full load	
Line regulation	±0.5%	
Load regulation	±1.0%	
Leakage current	<2mA / 530VAC	
Coefficient of temperature drift	±0.05%/°C(0~60°C)	
Power-down hold time	20ms/400VAC at fullload 40ms/500VAC at full load	
Switching frequency	50Khz~80Khz	
Connection mode	Terminal blocks	

Product name	DPS3-240W-D24-02A(H)	DPS3-240W-D48-02A(H)
Mechanical Parameter		
Size (L X W X D)	63x113x125mm	
Weight	1kg	
Shell material	Metal	
DC light	OK	
DC OK contact	30VDC 1A, 30VAC 0.5A resistive load	
Environmental Parameter		
Working temperature	-30 ~ +70 °C (Refer to * Derating Curve)	
Storage temperature	-40°C ~ + 85°C	
Storage humidity	10 ~95% RH non-condensing	
Working humidity	20 ~ 95% RH non-condensing	
Vibration test	Component:10 ~500Hz, 2G 10min./1cycle, 60min. each alongX,Y, Z axes; Mounting: Compliance to IEC60068-2-6	
Operational altitude	5000m	
Security Parameter		
Overcurrent protection range	105 ~ 130% rated output power Protection type : Constant current limiting, unit will hiccup after 3 sec	
Overvoltage protection	30~36V	56~65V
	Protection type : Constant current limiting, recovers automatically after fault condition is removed	
Overheat protection	Shut down o/p voltage, recovers automatically after temperature goes down	
Short circuit protection	Hiccup mode	
Safety standard	UL61010-1,UL61010-2-201,BS EN/EN61558-1,BS ENEN61558-2-16	
Mean Time between failures	1500K hrs min. Telcordia SR-332(Bellcore)	

Dimensional Drawing





Features

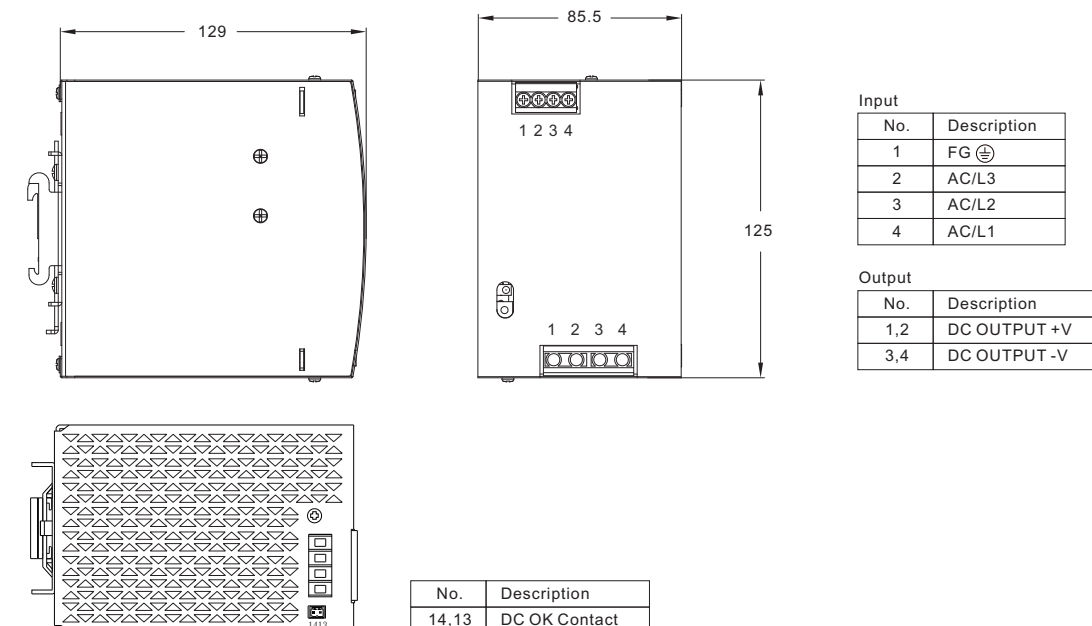
- 3-Phase 340~550VAC Wide Range Input (2-phase operation possible)
- Built-in Passive PFC Function
- Protection: Short Circuit/Overload/Over Voltage/Over Temperature
- DC OK Contact
- Built-in Constant Current Limiting Circuit
- High Efficiency 92% and Low Power Dissipation
- Full Power Between -30~+60°C
- Three Years Warranty

Specification

Product name	DPS3-480W-D24-02A(H)	DPS3-480W-D48-02A(H)
Input Parameter		
Input voltage range	Three-Phase 340 ~ 550VAC (Dual phase operation possible inconnecting L1,L3,FG or L2,L3,FG) or 480 ~780VDC	
Input frequency range	47...63Hz	
Input current	0.85A/400VAC 0.7A/500VAC	
Impulse current	COLD START 50A	
Power consumption	7W	
Connection mode	Terminal blocks	
Output Parameter		
Output efficiency	92%	
Output rated voltage	24V	48V
Range of output voltage	24~28V	48~55V
Output rated current	20A	10A
Rated power	480W	
Voltage ripple (20MHz)	150 mVp-p	
Setup , Rise time	1200ms, 60ms/400VAC at full load 800ms, 60ms/500VAC at full load	
Line regulation	±0.5%	
Load regulation	±1.0%	
Leakage current	<3.5/ 530VAC	
Coefficient of temperature drift	+0.03%/°C(0~50°C)	
Power-down hold time	20ms/400VAC at fullload 20ms/500VAC at full load	
Switching frequency	50Khz~80Khz	
Connection mode	Terminal blocks	

Product name	DPS3-480W-D24-02A(H)	DPS3-480W-D48-02A(H)
Mechanical Parameter		
Size (L X W X D)	85.5×129×125mm	
Weight	1.51kg	
Shell material	Metal	
DC light	OK	
DC OK contact	60VDC 0.3A, 30VDC 1A, 30VAC 0.5A resistive load	
Environmental Parameter		
Working temperature	-30 ~ +70 °C (Refer to * Derating Curve)	
Storage temperature	-40°C ~ + 85°C	
Storage humidity	10 ~ 95% RH non-condensing	
Working humidity	20 ~ 95% RH non-condensing	
Vibration test	Component:10 ~500Hz, 2G 10min./1cycle, 60min. each along X,Y, Z axes; Mounting: Compliance to IEC60068-2-6	
Operational altitude	5000m	
Security Parameter		
Overcurrent protection range	105 ~ 130% rated output power Protection type : Constant current limiting, unit will hiccup after 3 sec	
Overvoltage protection	29~33V	56~65V
	Protection type: Shut down o/p voltage, re-power on to recover	
Overheat protection	Shut down o/p voltage, recovers automatically after temperature goes down	
Short circuit protection	Locked .Reboot Recovery	
Safety standard	UL61010-1,UL61010-2-201,BS EN/EN61558-1,BS ENEN61558-2-16	
Mean Time between failures	1000K hrs min. Telcordia SR-332(Bellcore)	

Dimensional Drawing





Features

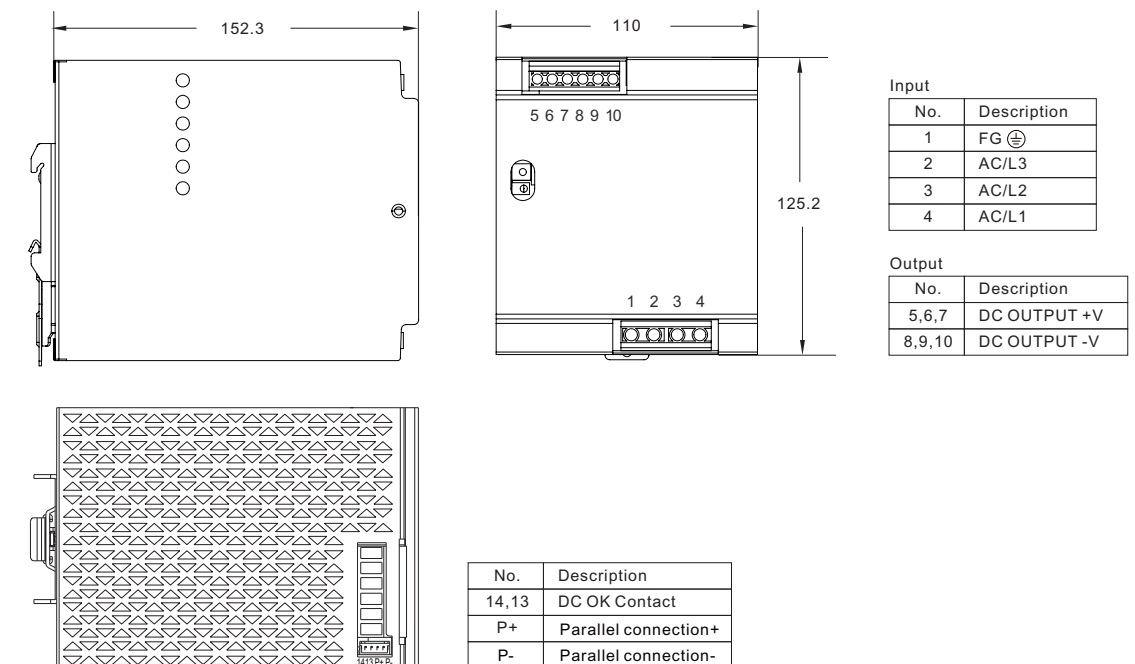
- 3-Phase 340~550VAC Wide Range Input (2-phase operation possible)
- Built-in Passive PFC Function
- Protection: Short Circuit/Overload/Over Voltage/Over Temperature
- DC OK Contact
- Built-in Constant Current Limiting Circuit
- Higher Efficiency and Low Power Dissipation
- Parallel Connections Withmax 4 PSU up to 3840W
- Three Years Warranty

Specification

Product name	DPS3-960W-D24-02A(H)	DPS3-960W-D48-02A(H)
Input Parameter		
Input voltage range	Three-Phase 340 ~ 550VAC (Dual phase operation possible inconnecting L1,L3,FG or L2,L3,FG) or 480 ~780VDC	
Input frequency range	47...63Hz	
Input current	2A/400VAC 1.4A/500VAC	
Impulse current	COLD START 60A	
Power consumption	15W	
Connection mode	Terminal blocks	
Output Parameter		
Output efficiency	92%	
Output rated voltage	24V	48V
Range of output voltage	24~28V	48~55V
Output rated current	40A	20A
Rated power	960W	
Voltage ripple (20MHz)	180 mVp-p	250 mVp-p
Setup, Rise time	1200ms, 60ms/400VAC at full load 800ms, 60ms/500VAC at full load	
Line regulation	±0.5%	
Load regulation	±1.0%	
Leakage current	<3.5/ 530VAC	
Coefficient of temperature drift	+0.03%/°C(0~50°C)	
Power-down hold time	20ms/400VAC at fullload 20ms/500VAC at full load	
Switching frequency	50Khz~80Khz	
Connection mode	Terminal blocks	

Product name	DPS3-960W-D24-02A(H)	DPS3-960W-D48-02A(H)
Mechanical Parameter		
Size (L X W X D)	110×125.2×152.3mm	
Weight	12.47kg	
Shell material	Metal	
DC light	OK	
DC OK contact	30VDC 1A resistive load	
Environmental Parameter		
Working temperature	-30 ~ +70 °C (Refer to " Derating Curve)	
Storage temperature	-40°C ~ + 85°C	
Storage humidity	10 ~95% RH non-condensing	
Working humidity	20 ~ 95% RH non-condensing	
Vibration test	Component:10 ~500Hz, 2G 10min./1cycle, 60min. each alongX,Y, Z axes; Mounting: Compliance to IEC60068-2-6	
Operational altitude	2000m	
Security Parameter		
Overcurrent protection range	105 ~ 130% rated output power Protection type: Constant current limiting, unit will shut down after 3sec, re-power on to recover	
Overvoltage protection	29~33V	56~65V
	Protection type: Shut down o/p voltage, re-power on to recover	
Overheat protection	Shut down o/p voltage, recovers automatically after temperature goes down	
Short circuit protection	Locked .Reboot Recovery	
Safety standard	UL61010-1,UL61010-2-201,BS EN/EN62368-1	
Mean Time between failures	550.04K hrs min. Telcordia SR-332(Bellcore)	

Dimensional Drawing



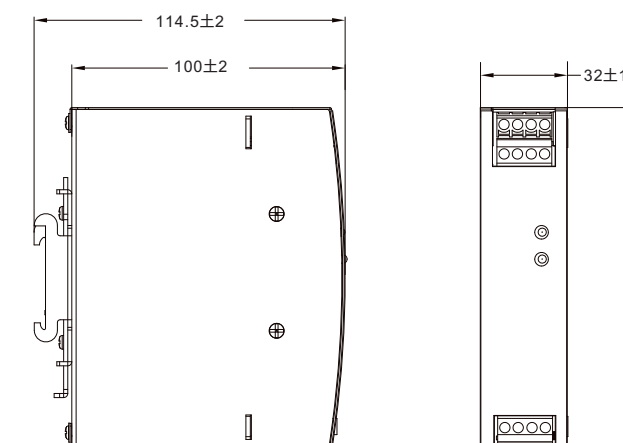

Features

- Support 1+1 and 1+N redundancy system
- Suitable for redundancy operation of 12V/24V/48V systems
- 2 channels input and 1 output
- Built-in 2 channels DC OK signal and alarm relay contact
- Three Years Warranty

Specification

Product name	DPS-DIODE-20A-D12-02A(H)	DPS-DIODE-20A-D24-02A(H)	DPS-DIODE-20A-D48-02A(H)
Input Parameter			
Input voltage range	9-14V	19-29V	36-60V
DC rated voltage	12V	24V	48V
Rated current	0~20A per input Continuous		
Efficiency	95%		
Input current	0~20A, Continuous		
Number of input	2 Channels		
Voltage drop(Vin-Vout) (max.)	0.25V		
Peak current	0~30A per input, 5Sec		
Input reverse current (max.)	1mA		
Input reverse voltage(max)	40Vdc		65Vdc
Connection mode	Terminal blocks		
Output Parameter			
Peak current (max.)	30A, 5Sec		
Rated current	0~20A per input Continuous		
Capacitance(Typ.)	320uF		
Standby power losses(Typ.)	1.5W		
Coefficient of temperature drift	±0.03%/°C(0~60°C)		
Connection mode	Terminal blocks		
Function			
Redundancy	For 1+1 redundancy ,and support 1+N redundancy		
Both inputs voltage alarm	<8.5V or >14.7V(±5%)	<18V or >31V(±5%)	<34.2V or >63V(±5%)
Relay	30Vdc/1A resistive load		
Led status display	Green LED OK		

Product name	DPS-DIODE-20A-D12-02A(H)	DPS-DIODE-20A-D24-02A(H)	DPS-DIODE-20A-D48-02A(H)
Mechanical Parameter			
Size (L X W X D)	125×32×100mm		
Weight	0.5kg		
Shell material	Metal		
DC light	OK		
Environmental Parameter			
Cooling	Free air convection		
Working temperature	-40 ~ +80 °C (Refer to * Derating Curve)		
Storage temperature	-40°C ~ + 85°C		
Storage humidity	5 ~ 95% RH		
Working humidity	5 ~ 95% RH non-condensing		
Vibration test	Component: 10 ~ 500Hz, 5G 10min./1cycle, 60min. each along X,Y, Z axes; Mounting: Compliance to IEC61373		
Operational altitude	5000m/OVCII		
Security Parameter			
Overcurrent protection range	<30A, 5Sec.No damage		
Short circuit protection	<30A, 5Sec.No damage		
Safety standard	IEC62368-1		

Dimensional Drawing



Features

- Support 1+1 and 1+N redundancy system
- Suitable for redundancy operation of 12V/24V/48V systems
- 2 channels input and 1 output
- Built-in 2 channels DC OK signal and alarm relay contact
- Three Years Warranty

Specification

Product name	DPS-DIODE-40A-D12-02A(H)	DPS-DIODE-40A-D24-02A(H)	DPS-DIODE-40A-D48-02A(H)
Input Parameter			
Input voltage range	9-14V	19-29V	36-60V
DC rated voltage	12V	24V	48V
Rated current	0~40A per input Continuous		
Efficiency	95%		
Input current	0~40A, Continuous		
Number of input	2 Channels		
Voltage drop(Vin-Vout) (max.)	0.5V		
Peak current	0~60A per input, 5Sec		
Input reverse current (max.)	1mA		
Input reverse voltage(max)	40Vdc		65Vdc
Connection mode	Terminal blocks		
Output Parameter			
Peak current (max.)	60A, 5Sec		
Rated current	0~40A per input Continuous		
Capacitance(Typ.)	320uF		
Standby power losses(Typ.)	1.5W		
Coefficient of temperature drift	±0.03%/°C(0~60°C)		
Connection mode	Terminal blocks		
Function			
Redundancy	For 1+1 redundancy ,and support 1+N redundancy		
Both inputs voltage alarm	<8.5V or >14.7V(±5%)	<18V or >31V(±5%)	<34.2V or >63V(±5%)
Relay	30Vdc/1A resistive load		
Led status display	Green LED OK		

Product name	DPS-DIODE-40A-D12-02A(H)	DPS-DIODE-40A-D24-02A(H)	DPS-DIODE-40A-D48-02A(H)
Mechanical Parameter			
Size (L X W X D)	125×55×101mm		
Weight	0.5kg		
Shell material	Metal		
DC light	OK		
Environmental Parameter			
Cooling	Free air convection		
Working temperature	-40 ~ +80 °C (Refer to * Derating Curve)		
Storage temperature	-40°C ~ + 85°C		
Storage humidity	5 ~ 95% RH		
Working humidity	5 ~ 95% RH non-condensing		
Vibration test	Component: 10 ~ 500Hz, 5G 10min./1cycle, 60min. each along X,Y, Z axes; Mounting: Compliance to IEC61373		
Operational altitude	5000m/OVCII		
Security Parameter			
Overcurrent protection range	<30A, 5Sec.No damage		
Short circuit protection	<30A, 5Sec.No damage		
Safety standard	IEC62368-1		

Dimensional Drawing
