



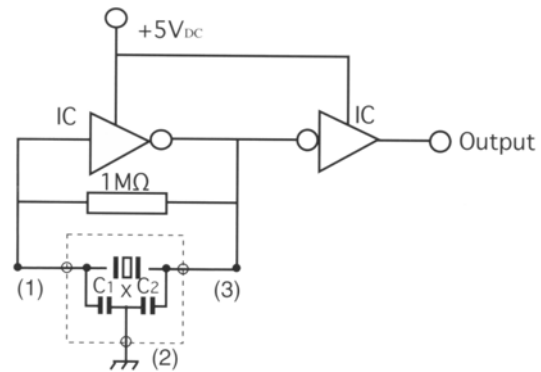
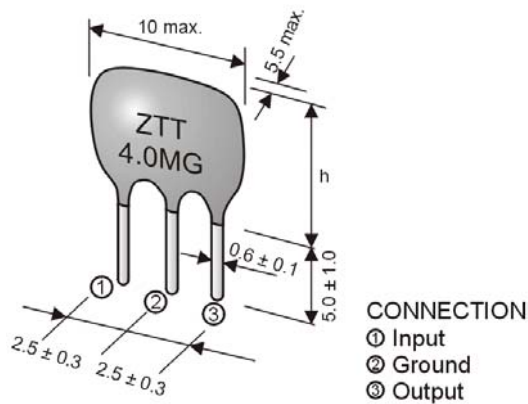
# CERAMIC RESONATORS

KX-ZTT series

Built-in capacitor types

model	KX-ZTT MG
frequency range	1,84 ~ 7,99 MHz
internal capacitance C <sub>1</sub> , C <sub>2</sub>	30 pF
frequency tolerance at +25°C	± 0,5%
frequency stability at -20° ~ +80° C	± 0,3%
aging for 10 years	± 0,3%
resonant resistance max.	80 Ohm
test circuit IC	1/6 CD 4069 UBEX2
height (h) max.	8,0 mm
RoHS *	started from date code May, 2005
packing unit	500 pcs.
part no.	12.99500 ~ 12.99900

\* Please note for Ceramic Resonators our „Precautions of Handling“.



test circuit