

## Data sheet

Commercial Art.No.: 76.352.1535.1

Hood HD GOT GI 15 M20 50 A1

Hood revos HD made of aluminum, for single locking lever with threaded hole M20 on the top, low version, 15-poles



Commercial Art.No.	76.352.1535.1
EAN	4015573625839
Order Unit	1

## Technical data

### General

Housing material	aluminum
Color	Grey
Surface	With powder coating
Degree of protection (IP)	Other
UV resistant	yes
Inflammability class of insulation material acc. with UL94	Other
Operating temperature range min.	-40 °C
Operating temperature range max.	120 °C

### Model

Construction	10/15
Locking mechanism	Single locking lever
Cable entry	Above
Type of cable	Thread
With cable screw gland	No
Thread size M	20
Thread size PG	
Hinged lid	No
EMC-version	No
Length	73 mm
Width	33 mm
Height	64 mm

### Classification

ECLASS 11	
-----------	--

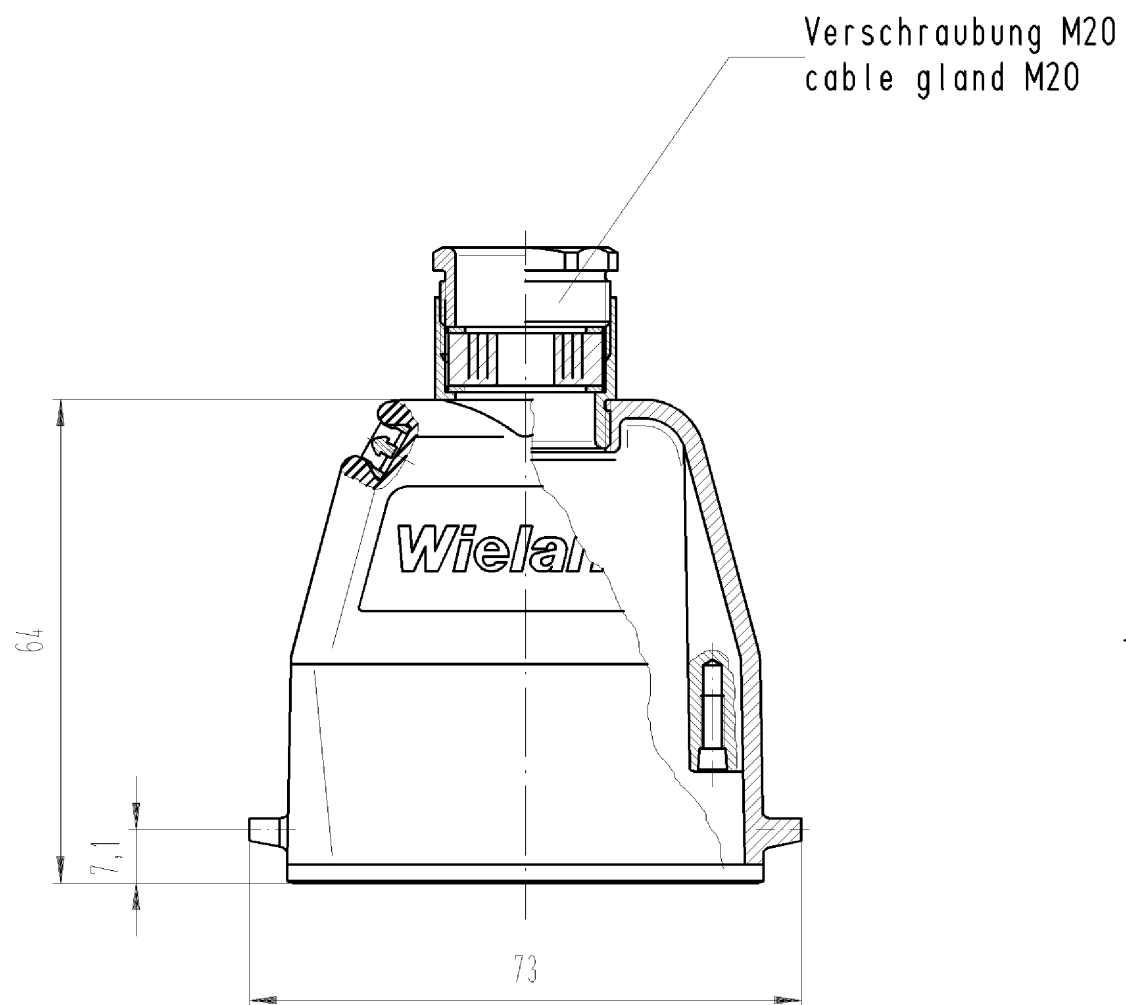
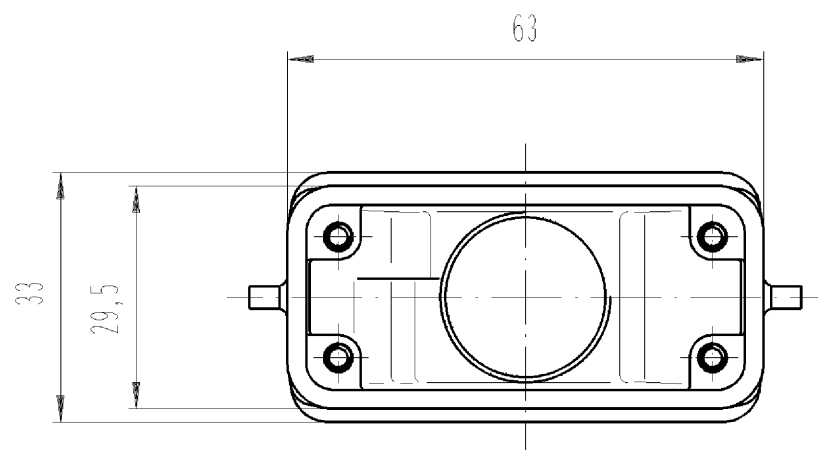
ECLASS 8.1	27440202
ETIM 7.0	EC000437
ETIM 6.0	EC000437
ETIM 5.0	EC000437
ETIM 4.0	EC000437
ETIM 3.0	EC000437

**Product compliance**

REACH-SVHC conformity status	Compliant
------------------------------	-----------

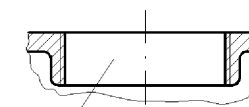
**Fits with**

Commercial Art.No.:	Article-type description:	Description:
73.300.1053.0	Female insert HD BUS 10 2,5 25 AG	revos BASIC HD 10 pole + ground, female insert 250V/16A, screw connection
73.310.1053.0	Male insert HD STS 10 2,5 25 AG	revos BASIC HD 10 pole + ground, male insert 250V/16A, screw connection
73.700.1553.0	Female insert HD BUC 15 25	revos HD 15 pole + ground, female insert, 250V/10A, crimp connection
73.710.1553.0	Male insert HD STC 15 25	revos HD 15 pole + ground, male insert, 250V/10A, crimp connection



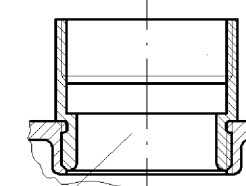
Ausführung .0  
version .0

Ausführung .1  
version .1



Gewinde M 20  
thread M 20

Ausführung .2  
version .2



Stützen eingeklebt M20  
intermediate support M20

Weitere Daten siehe Katalog  
further data see catalog

Teile-Nr. part number	Typ type
76.352.1535.0	HD GOT GI 15 M20 50 A0
76.352.1535.1	HD GOT GI 15 M20 50 A1
76.352.1535.2	HD GOT GI 15 M20 50 A2

Tolerierung nach DIN 7167/Tolerance system acc. to DIN 7167. (This DIN-standard describes the envelope principle. According to the envelope principle the deviations of form and parallelism are limited by the size tolerances).		ja/yes <input checked="" type="checkbox"/> Stoffverbots- und Deklarationsliste nach UU-TQM-05/03 ist einzuhalten. Conformity with Wieland document UU-TQM-05/03 (list of prohibited / declarable hazardous substances) to be declared!	
Freitoleranz nach General tolerance		CAD - Zeichnung, keine manuellen Änderungen CAD - drawing, no manual modifications allowed	1. Verwendung: - First Use:
Blatt: 1 von 1 Sheet: 1 of 1		Zeichnung Nr./Drawing No.	
T		76.352.1535.0 01K	
Maße in mm/Dimensions are in mm			
Werkstoff/Material		2008	Tag/Date
/		gezeichnet drawn	01.12.
/		geprüft checked	-
/		Normgepr. Stand. check	-
/		Ersatz für/Replacement for: -	
/		Type	
/		Benennung/Title	
/		GEHAEUSE_OBERTEIL	
/		Größe/size 15 M 20 von oben	
/		Hood, single looking lever top cable entry	
Index	Datum / Blatt Date / Sheet	Änderung/Revision	

These dimensions will be especially checked at delivery  
Only inspection dimensions  
With /E marked dimensions are only valid for internal use

Diese Maße werden bei Abnahme besonders geprüft  
Ausschließlich Prüfmaße  
Mit /E gekennzeichnete Maße sind nur für interne Zwecke gültig

Weitergabe sowie Vervielfältigung dieses Dokuments, Verwertung und Mitteilung seines Inhalts sind verboten, soweit nicht ausdrücklich gestattet.  
The reproduction, distribution and utilization of this document as well as the communication of its contents to others without express authorization is prohibited.

763521535001K\_4\_CADW1042\_Schnitt 2008-12-01T14:54:20 1.000