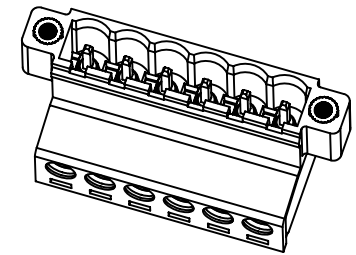
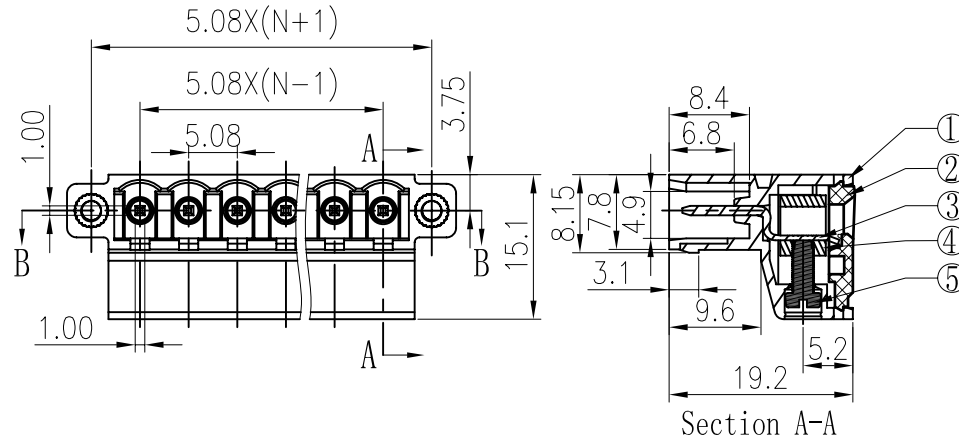
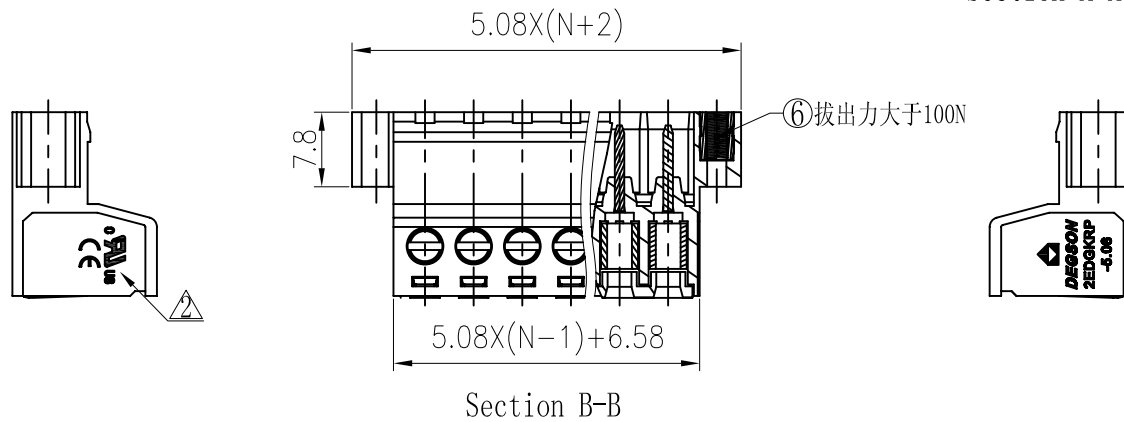


REVISION RECORD				
REV	ECO	DESCRIPTION	DRFT	DATE
△		图面整理	Apple	04/07/08
△		增加UL刻字	WLM	11/12/08



Notes:

1. Pitch: 5.08mm, Poles: 2-22P
2. Rated voltage/current: UL 300V/15A
IEC 320V/20A
3. Operation temperatures: -40°C ~ +105°C
4. Withstanding Voltage: AC2000V/1Min
5. Insulation Resistance: 5000MΩ / DC1000V
6. Wire Range: 28~12AWG, 2.5mm²
7. Max. Torque Value: M2.5, 4.08Kgf.cm
8. Undimensioned Tolerances:



Pitch range in mm		Nominal dimension range in mm						
to	over	over	over	over	over	over		
6	10	24	30	60	100	150		
±0.10	±0.15	±0.25	±0.2	±0.3	±0.5	±0.7	±1.0	
							0.05/10	

6	2EDG Screw Cap	S000000040 (H)	2	Brass	
5	2EDG "—"Screws-M2.5	S000001370 (H)	XX	Steel	Cr ³⁺ Zn
4	DG128 Brass cage	X000000020 (H)	XX	Brass	Ni plated
3	2EDGKR-Pin	1159B00010 (H)	XX	Copper	SnCe

2	2EDGK-5.08-Cover	1005COYXXA (H)	1	PA66	UL94V-0
1	2EDGKRP-5.08-Housing	1161A0YXXA (H)	1	PA66	UL94V-0
ITEM	NAME OF PART	NO. OF PART	Q"TY	MATERIAL	NOTES
	DEGSON	宁波高正电子有限公司 DEGSON ELECTRONICS CO., LTD			
	NAME 2EDGKRP-5.08-XXP-1Y-00A (H)				
	DRAWING NO. 2EDGKRP-5.08-E01			SIZE A3	REV T2 11/12/08
	DO NOT SCALE DRAWING			SHEET 1	OF 1