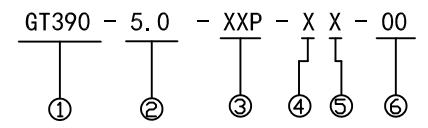


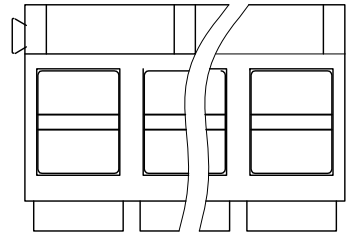
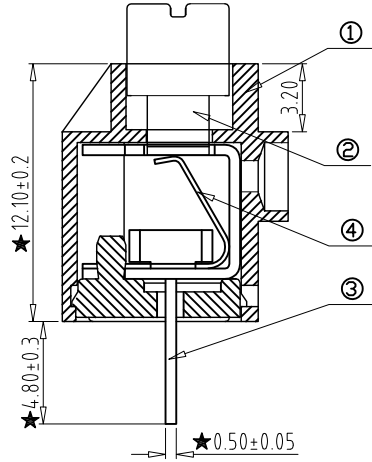
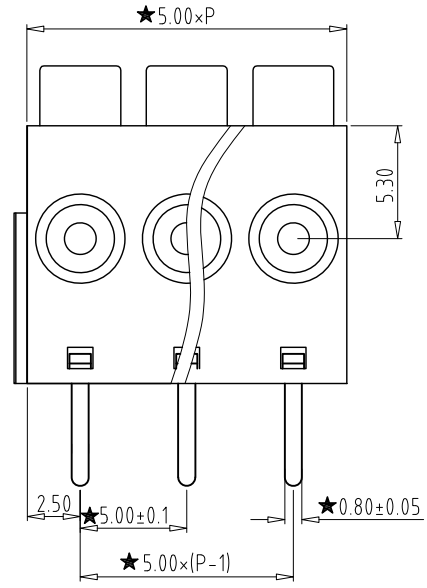
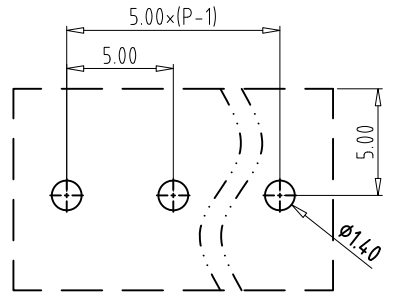
REV	CONTENT	CHK	DATE
V0.0	CONTENT	MYZ	21.07.05

**Electrical :**

- |  |               |                    |
|--|---------------|--------------------|
|  | UL            | IEC                |
| 1.Rated Voltage :                      | 300V          | 250V               |
| 2.Rated Current :                      | 8A            | 13.5A              |
| 3.Wire Range:                          | 22-18AWG      | 1.0mm <sup>2</sup> |
| 4.Stripping Length :                   | 9-10mm        |                    |
| 5.Withstanding Voltage :               | AC2000V/1Min. |                    |
| 6.Operating Temperature :              | -40°C~+105°C  |                    |
| 7.RoHS Compliance                      |               |                    |
| 8.Safty Approval :                     | cULus CE      |                    |
| 9."★" is the key quality control point |               |                    |



- ① Series NO.      ④ 1 Single Pitch  
                             2 Double Pitch
- ② Pitch              ⑤ Color: 1 Grey  
                             2 Blue  
                             3 Black  
                             4 Green  
                             5 Orange  
                             6 Red  
                             7 Transparent  
                             8 Yellow  
                             9 White
- ③ Poles  
02 02Contacts  
03 03Contacts  
...  
24 24Contacts
- ⑥ Customer Request: 00—Standard



4	CLAMP	XX	P	STAINLESS STEEL	/
3	PIN HEADER	XX	P	COPPER ALLOY	Tin Plated
2	BUTTON	XX	P	PA66 UL94V-0	SEE NOTE
1	HOUSING	XX	1	PA66 UL94V-0	SEE NOTE
ITEM	NAME OF PART	NO. OF PART	Q'TY	MATERIAL	NOTE
DWG.	MYZ	DATE	21.07.05	SIZE	A4 UNITS mm SHEET/OF 1/1
CHK.		DATE		SCALE	1:1
APP.		DATE		NAME	GT390-5.0-XXP-XX-00
				DWGNO.	XXXX

Total Pitch Tolerances in mm										Nominal dimension range in mm										⊥	≡	-	//			
over 0	over 30	over 53	over 70	over 90	over 115	over 150	over 250	over 350	over 500	over 0	over 30	over 53	over 70	over 90	over 115	over 150	over 200	over 250	over 320	to 0	to 10	all	to 0	to 100	to 150	to 150
±0.18	±0.20	±0.25	±0.3	±0.35	±0.44	±0.60	±0.70	±0.85	±0.20	±0.25	±0.30	±0.35	±0.44	±0.55	±0.70	±0.80	±0.90	0.2	0.3	0.3	0.2	0.3	0.5	0.5		