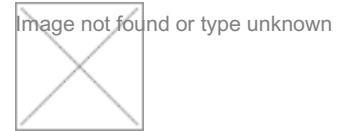


Data sheet

Commercial Art.No.: 70.353.4835.2

Hood BAS GOT GG 48 M40 50 A2

Hood revos basic made of aluminum, for single locking lever with nozzleM40 on the right side, low version, 48-poles



Commercial Art.No.	70.353.4835.2
EAN	4015573625082
Order Unit	1

Certificates / Approvals



Technical data

General

Housing material	aluminum
Color	Grey
Surface	With powder coating
Degree of protection (IP)	Other
UV resistant	yes
Inflammability class of insulation material acc. with UL94	Other
Operating temperature range min.	-40 °C
Operating temperature range max.	120 °C

Model

Construction	48
Locking mechanism	Single locking lever
Cable entry	Sideways
Type of cable	Intermediate support
With cable screw gland	No
Thread size M	40
Thread size PG	
Hinged lid	No
EMC-version	No
Length	132 mm
Width	90 mm
Height	107 mm

Classification

ECLASS 11	
ECLASS 8.1	27440202
ETIM 7.0	EC000437
ETIM 6.0	EC000437
ETIM 5.0	EC000437
ETIM 4.0	EC000437
ETIM 3.0	EC000437

Product compliance

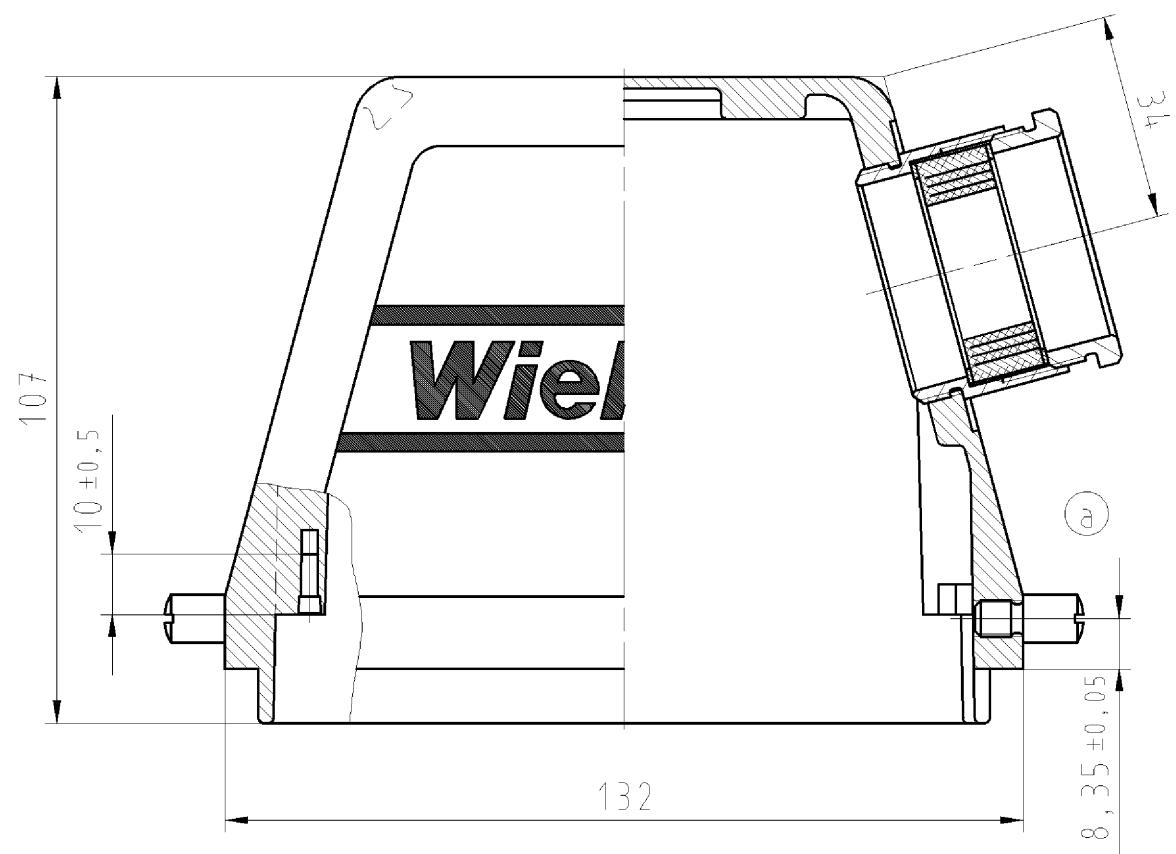
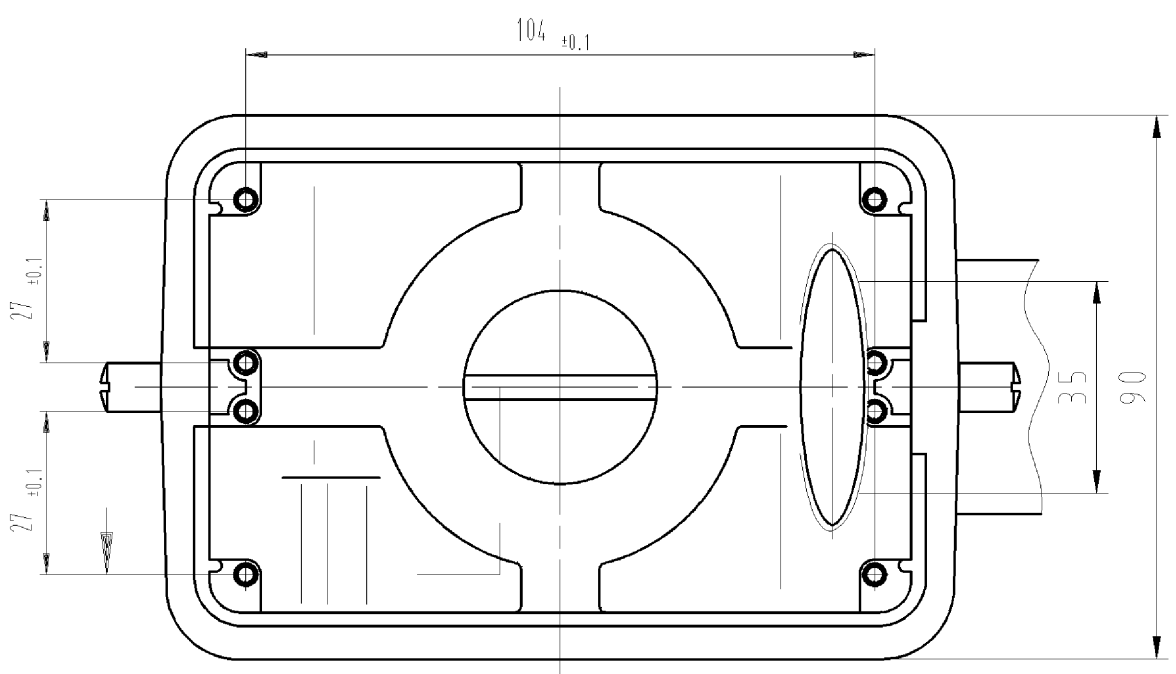
ROHS conformity status	Compliant/Exempted
ROHS exceptions	III-6(c)
REACH-SVHC conformity status	Duty-To-Declare
REACH-SVHC substances	Lead
REACH-SVHC CAS numbers	7439-92-1

Fits with

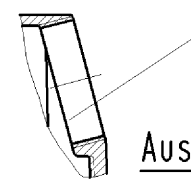
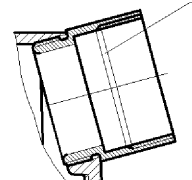
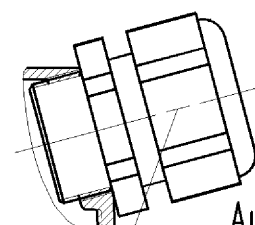
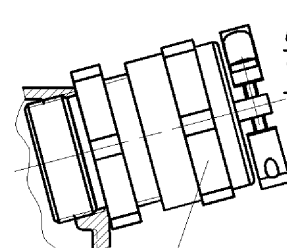
Commercial Art.No.:	Article-type description:	Description:
70.300.4840.0	Female insert BAS BUS 48 2,5 50	Female insert revos basic, 48-poles, rated current: 16A, rated voltage:500V, with tin-plated contacts
70.310.4840.0	Male insert BAS STS 48 2,5 50	Male insert revos basic, 48-poles, rated current: 16A, rated voltage: 500V, with tin-plated contacts
70.500.4853.0	Female insert BAS BUF 48 2,5 50	Female insert revos basic, 48-poles, rated current: 16A, rated voltage:500V, with tin-plated contacts
70.510.4853.0	Male insert BAS STF 48 2,5 50	Male insert revos basic, 48-poles, rated current: 16A, rated voltage: 500V, with tin-plated contacts
70.700.4858.0	Female insert BAS BUC 48 50	Female insert revos basic, 48-poles, rated current: 16A, rated voltage:500V, with tin-plated contacts
70.710.4858.0	Male insert BAS STC 48 50	Male insert revos basic, 48-poles, rated current: 16A, rated voltage: 500V, with tin-plated contacts
72.300.4853.0	Female insert BAS BUS 48 2,5 69	Female insert revos basic, 48-poles, rated current: 16A, rated voltage:690V, with tin-plated contacts
72.310.4853.0	Male insert BAS STS 48 2,5 69	Male insert revos basic, 48-poles, rated current: 16A, rated voltage: 690V, with tin-plated contacts

These dimensions will be especially checked of delivery
Only inspection dimensions
With ±E marked dimensions are only valid for internal use

Diese Maße werden bei Abnahme besonders geprüft
Ausschließlich Prüfmaße
Mit ±E gekennzeichnete Maße sind nur für interne Zwecke gültig



Ausführung .0
version .0

 <p>Gewinde M 40 thread M40</p> <p><u>Ausführung .1</u> version .1</p>	 <p>Stützen M40 intermediate support with thread M32</p> <p><u>Ausführung .2</u> version .2</p>
 <p>Kabelverschraubung M 40 cable gland M32</p> <p><u>Ausführung .5</u> version .5</p> <p>IP 65</p>	 <p>Kabelverschraubung M 40 mit Zugentlastung und Knickschutz cable gland M40 with strain relief and kink protection</p> <p><u>Ausführung .4</u> version .1</p>

Teile-Nr. part-number	Typ type
70.353.4835.0	BAS GOT GG 48 M40 5
70.353.4835.1	BAS GOT GG 48 M40 5
70.353.4835.2	BAS GOT GG 48 M40 5
70.353.4835.4	BAS GOT GG 48 M40 5
70.353.4835.5	BAS GOT GG 48 M40 5

Tolerierung nach DIN 7167/Tolerance system acc. to DIN 7167. (This DIN-standard describes the envelope principle. According to the envelope principle the deviations of form and parallelism are limited by the size tolerances).		ja/yes <input checked="" type="checkbox"/> Stoffverbots- und Deklarationsliste nach UU-TQM-05/03 ist einzuhalten. Conformity with Wieland document UU-TQM-05/03 (list of prohibited / declarable hazardous substances) to be declared!	
Freitoleranz nach General tolerance		CAD - Zeichnung, keine manuellen Änderungen CAD - drawing, no manual modifications allowed	1. Verwendung: First Use: -
Blatt: 1 von 1 Sheet: of 1		Zeichnung Nr./Drawing No. Index	
70.353.4835.0 01K a		Maße in mm/Dimensions are in mm	
Werkstoff/Material		2006 Tag/Date	Name
/		gezeichnet drawn 10.11.	Schmitt J.
/ Maßstab/Scale		geprüft checked -	-
/		Normgepr. Stand. check -	-
/ Vol. mm ³ Ofl./Surf. mm ²		Ersatz für/Replacement for: -	
/		Type Benennung/Title	
a 01.03.2010/		GEHAEUSEBERTE IL	
Index Datum / Blatt Date / Sheet		Größe 48 M40 schmale Seite Hood, size 48 M40 lateral cable entry	
Änderung/Revision		Elektrische Verbindungen	

703534835001K_4_CADW2013 hoffmann 2010-03-02T08:00:47 1.000