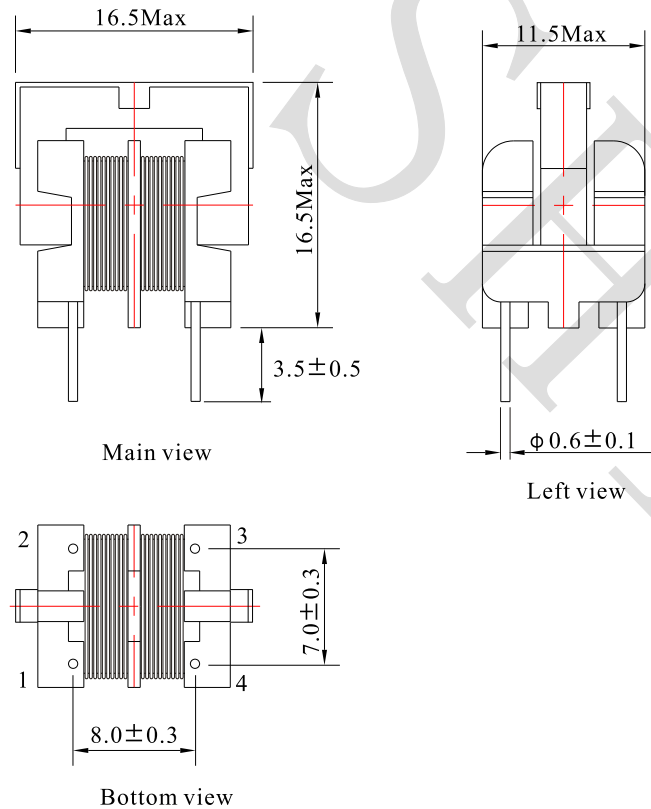
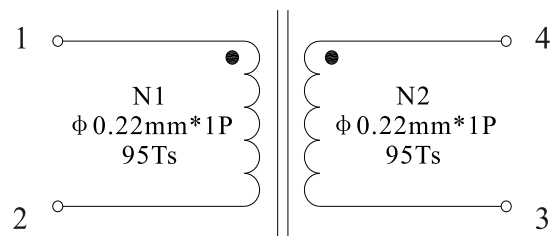


Rev.	Description	Date
A0	New release	2022.12.06

1. PHYSICAL CHARACTERISTICS(mm)



2. ELECTRONICAL SCHEMATIC



3. ELECTRONICAL SPECIFICATIONS

L: 15.0mH -30%+50%@10.0KHz,0.3V

Lk: 200uH Max@10.0KHz,0.3V

DCR: 2.4Ω Max@20°C

Rated current:0.4A ac@20°C

Hi-Pot: Coil to Coil 2000Vac,5mA,3s

Coil to Core 1500V ac,5mA,3s

Insulation Impedance: Coil to Coil 100Mohm Min

Coil to Core 100Mohm Min

Operating temperature: +40°C

Storage temperature: -25°C to +40°C @ Max75%RH

Test Instrument:

L: HP4284A

RDC: HM2540

Note:

1.Flammability: UL94V-0

2. RoHS

NAME:	Common mode power line choke		
CUSTOMER P/N:	B82730U3401A020	DATE:	2022-12-06
SHINHOM P/N:	AICT03-153Y-0.4A	REV: A0	PAGE
DRAWN BY	CHECKED BY	APPROVE BY	



SHINHOM
SHAANXISHINHOM ENTERPRISE CO LTD

The Document property belong to SHINHOM & is not allowed to be duplicated without authorization