

## Data sheet

Commercial Art.No.: 70.354.3235.1

Hood BAS GOT GC 32 M40 50 A1

Hood revos basic made of aluminum, for double locking lever or. screw cap with threaded hole M40 on the top, low version, 32-poles



Commercial Art.No.	70.354.3235.1
EAN	4015573629004
Order Unit	1

Certificates / Approvals



## Technical data

### General

Housing material	aluminum
Color	Grey
Surface	With powder coating
Degree of protection (IP)	Other
UV resistant	yes
Inflammability class of insulation material acc. with UL94	Other
Operating temperature range min.	-40 °C
Operating temperature range max.	120 °C

### Model

Construction	32
Locking mechanism	Double locking levers
Cable entry	Above
Type of cable	Thread
With cable screw gland	No
Thread size M	40
Thread size PG	
Hinged lid	No
EMC-version	No
Length	94 mm
Width	83 mm
Height	94 mm

### Classification

ECLASS 11	
ECLASS 8.1	27440202
ETIM 7.0	EC000437
ETIM 6.0	EC000437
ETIM 5.0	EC000437
ETIM 4.0	EC000437
ETIM 3.0	EC000437

### Product compliance

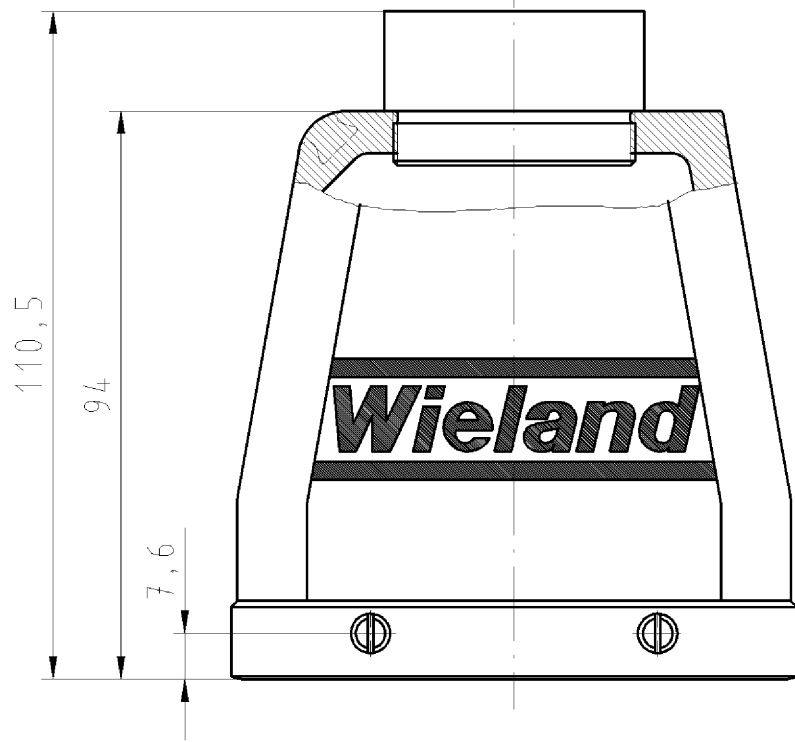
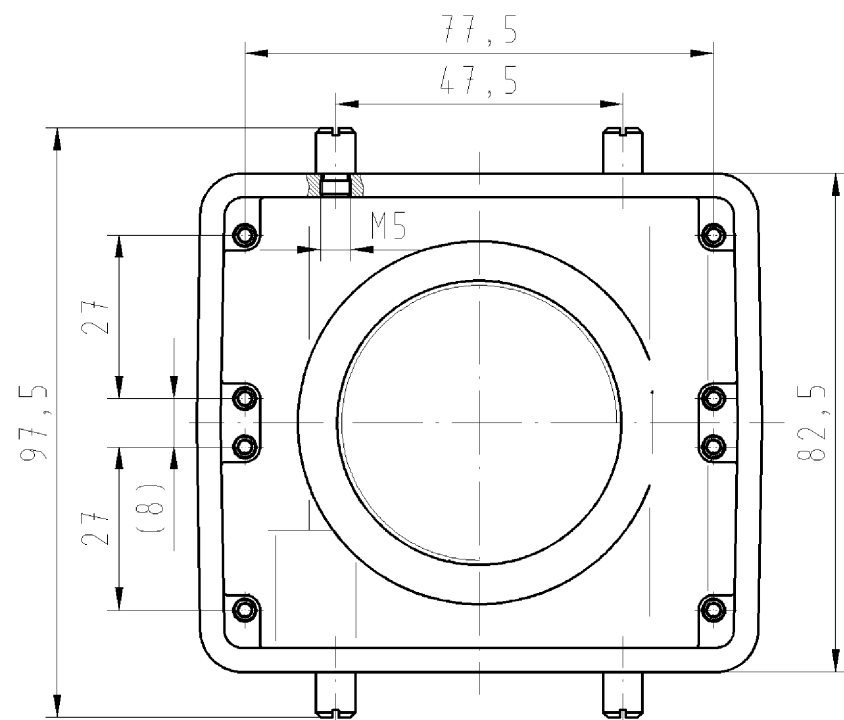
ROHS conformity status	Compliant
REACH-SVHC conformity status	Compliant

## Fits with

Commercial Art.No.:	Article-type description:	Description:
70.300.3253.0	Female insert BAS BUS 32 2,5 50	Female insert revos basic, 32-poles, rated current: 16A, rated voltage:500V, with tin-plated contacts
70.310.3253.0	Male insert BAS STS 32 2,5 50	Male insert revos basic, 32-poles, rated current: 16A, rated voltage: 500V, with tin-plated contacts
70.500.3253.0	Female insert BAS BUF 32 2,5 50	Female insert revos basic, 32-poles, rated current: 16A, rated voltage:500V, with tin-plated contacts
70.510.3253.0	Male insert BAS STF 32 2,5 50	Male insert revos basic, 32-poles, rated current: 16A, rated voltage: 500V, with tin-plated contacts
70.700.3253.0	Female insert BAS BUC 32 50	Female insert revos basic, 32-poles, rated current: 16A, rated voltage:500V, with tin-plated contacts
70.710.3253.0	Male insert BAS STC 32 50	Male insert revos basic, 32-poles, rated current: 16A, rated voltage: 500V, with tin-plated contacts
72.300.3253.0	Female insert BAS BUS 32 2,5 69	Female insert revos basic, 32-poles, rated current: 16A, rated voltage:690V, with tin-plated contacts
72.310.3253.0	Male insert BAS STS 32 2,5 69	Male insert revos basic, 32-poles, rated current: 16A, rated voltage: 690V, with tin-plated contacts
73.700.8058.0	Female insert HD BUC 80 25	revos BASIC HD 80 pole + ground, female insert 250V/10A, crimp connection
73.710.8058.0	Male insert HD STC 80 25	revos BASIC HD 80 pole + ground, male insert 250V/10A, crimp connection

These dimensions will be especially checked at delivery  
 Only inspection dimensions  
 With /E marked dimensions are only valid for internal use

Diese Maße werden bei Abnahme besonders geprüft  
 Ausschließlich Prüfmaße  
 Mit /E gekennzeichnete Maße sind nur für interne Zwecke gültig



Ausführung .2  
version .2

Teile-Nr. part-number	Typ type
70.354.3235.0	BAS GOT GC 32 M40
70.354.3235.1	BAS GOT GC 32 M40
70.354.3235.2	BAS GOT GC 32 M40
70.354.3235.4	BAS GOT GC 32 M40
70.354.3235.5	BAS GOT GC 32 M40

<p><u>Ausführung .0</u> <u>version .0</u></p> <p>Verschraubung M32 cable gland M32</p>	<p><u>Ausführung .1</u> <u>version .1</u></p> <p>Gewinde M 40 thread M 40</p>
<p><u>Ausführung .5</u> <u>version .5</u></p> <p>Kabelverschraubung M40 cable gland M40 IP 65</p>	<p>Stützen M40 intermediat support with thread M40</p> <p><u>Ausführung .2</u> <u>version .2</u></p>
	<p><u>Ausführung .4</u> <u>version .4</u></p> <p>Kabelverschraubung M40 mit Zugentlastung und Knickschutz cable gland M40 with strain relief and kink protection</p>

Weitere Daten siehe Katalog  
 further data see catalog

Tolerierung nach DIN 7167/Tolerance system acc. to DIN 7167. (This DIN-standard describes the envelope principle. According to the envelope principle the deviations of form and parallelism are limited by the size tolerances).				ja/yes <input checked="" type="checkbox"/> Stoffverbots- und Deklarationsliste nach UU-TQM-05/03 ist einzuhalten. Conformity with Wieland document UU-TQM-05/03 (list of prohibited / declarable hazardous substances) to be declared!			
Freitoleranz nach General tolerance		CAD - Zeichnung, keine manuellen Änderungen CAD - drawing, no manual modifications allowed		1. Verwendung: First Use: -		Blatt: 1 von 1 Sheet: of 1	
/		Werkstoff/Material		2006 Tag/Date Name		Zeichnung Nr./Drawing No. Index	
/		Maßstab/Scale		gezeichnet drawn 08.11. Schmitt J.		T 70.354.3235.0 01K	
/		%		geprüft checked - -		Maße in mm/Dimensions are in mm	
/		Vol. mm <sup>3</sup> Öl./Surf. mm <sup>2</sup>		Nahgepr. Stand. check - -			
/		Vol. mm <sup>3</sup> Öl./Surf. mm <sup>2</sup>		Ersatz für/Replacement for: -			
/		wieland		Type		Benennung/Title	
/		Elektrische Verbindungen				GEHAEUSEBERTE IL	
Index Datum / Blatt Date / Sheet						Größe 32 bzw. 80 M40 von oben Hood size 32 resp. 80 M40 from top	
Änderung/Revision							

703543235001K\_4\_CADW1042\_Schnitt 2006-11-08T13:45:01 1.000