

SPECIFICATION

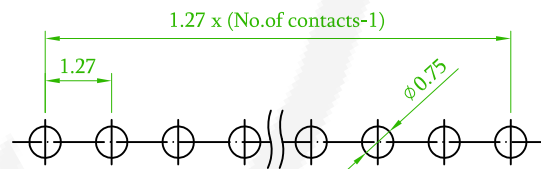
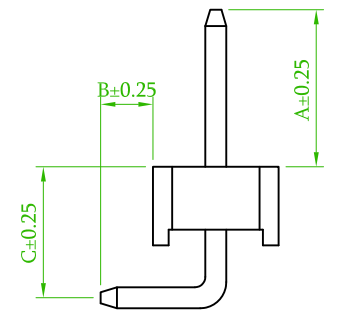
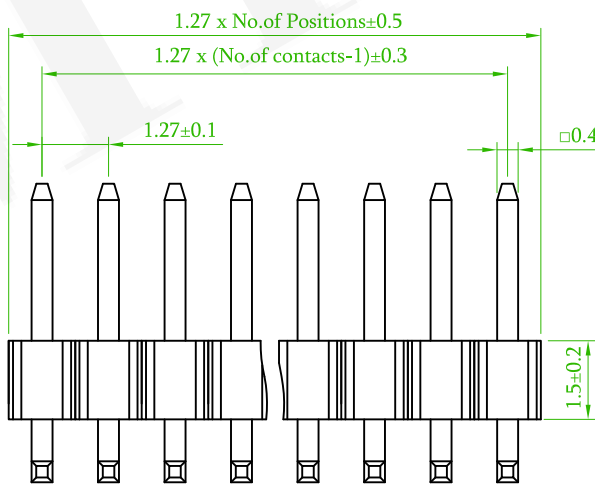
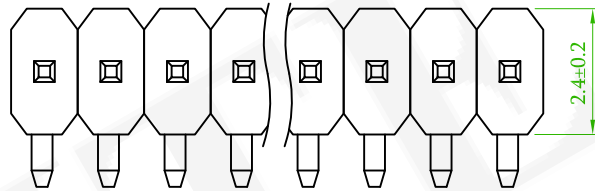
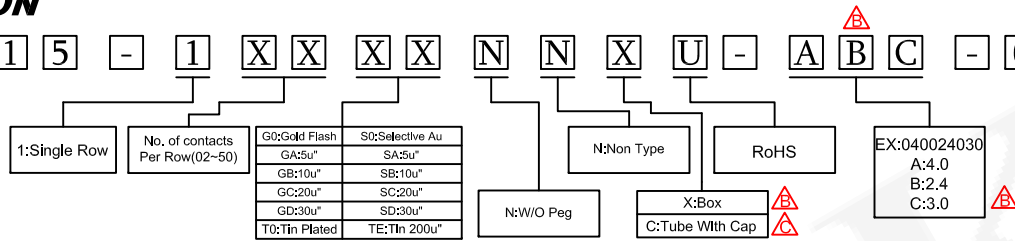
Current Rating: 1 AMP
 Insulation Resistance: 1000MΩ Min.
 Contact Resistance: 20mΩ Max.
 Dielectric Voltage: 500V AC for one minute
 Operation Temperature: -40°C to +105°C

MATERIAL

Insulator: Hi-Temp. Thermoplastic, UL 94V-0, Black
 Contact Pin: Copper Alloy

ORDER INFORMATION

5 P H 3 R D A 1 5 - 1 X X X X N N X U - A B C - 0 0



Recommended PCB Layout
 (PCB TOLERANCE ±0.1)

Old Part No. : PH3R15-1XX-U

REV.	ECN NO. OR DESCRIPTION	REVISED	DATE
△X1	ECN:170910,Delete the Packing:B:Bag	Kilin	2017/10/31
△X3	Modify order information	Gary	2017/02/06

TEL: 886-2-2260-6878
 FAX: 886-2-2260-8030

品名 TITLE	PIN HEADER 1.27mm				頁數 Page	1/1
品號 PART NO.	5PH3RDA15-1XXXXNNXU-XXXXXXXXXX-00			繪圖 DRAWN	Roy 2015/08/12	
圖號 DRAWING NO.	GN016-GA287		版本 REV.	C	核對 CHECKED	John 2015/08/12
客戶品號 CUSTOMER P/N			比例 SCALE	None	承認 APPROVED	John 2015/08/12
公差 TOLERANCE	.X ± 0.25	.XX ± 0.20	單位 UNIT	mm	THIRD ANGLE PROJECTION	