

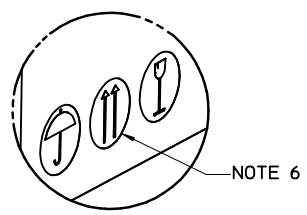
PRODUCT ID LABEL
(1) PER REEL

SEE DETAIL 1

SHIPPER ID LABEL
(1-2)/CARTON AS REQUIRED

PALLET 0313016630
635 mm X 635 mm
(26" X 26")
(SEE NOTE 6)

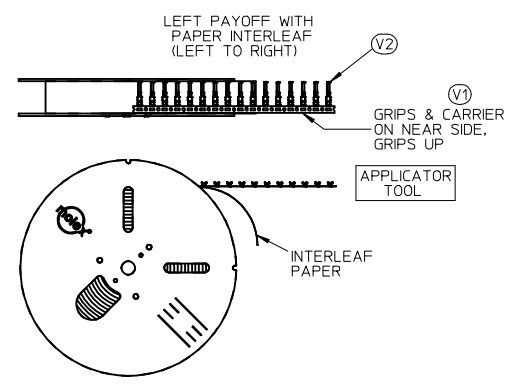
CUSTOMER COPY



NOTE 6

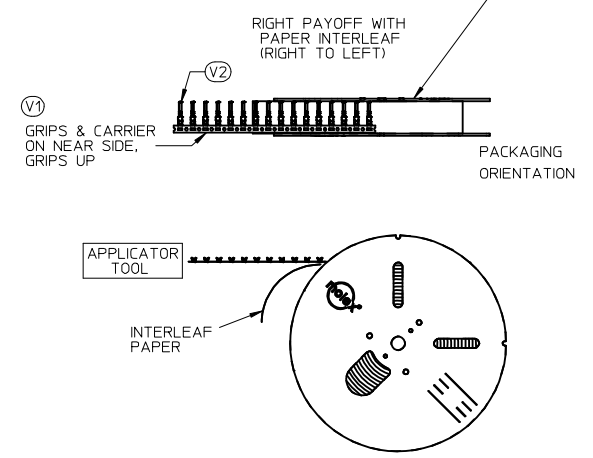
DETAIL 1
SCALE 1:1.33

PAYOFF DIRECTION D



PLACE PRODUCT ID LABEL ON THIS SIDE TO INDICATE THE PREFERRED PACKAGING ORIENTATION

PAYOFF DIRECTION B



- NOTES:
1. NUMBER OF TERMINALS PER REEL: SEE TABLE (SHEET 2)
 2. STANDARD PACK QUANTITY (SPQ): SEE TABLE (SHEET 2)
 3. NUMBER OF REELS PER CARTON: SEE TABLE (SHEET 2)
 4. SPLICING: NO BREAKS, MAXIMUM 1 WELD PER REEL
 5. TO MINIMIZE STRESS ON TERMINALS, REELS SHOULD ALWAYS BE SHIPPED ON PALLETS WITH THE REELS LAYING FLAT AS SHOWN.
 6. PLACE CARTONS ON PALLET WITH ARROWS POINTING UP PER DETAIL 1
 7. FOR INTERNAL COPY SEE: PK-31301-053

SPO CORRECTION EC NO: UAU2015-0955 DRAWN: PHELPS 2014/12/19 CHKD: APPR: JNORTHRO 2015/01/26 REV: 4	QUALITY SYMBOLS ▽=0 ▽=0	GENERAL TOLERANCES (UNLESS SPECIFIED) <table border="1"> <tr> <th></th> <th>mm</th> <th>INCH</th> </tr> <tr> <td>4 PLACES</td> <td>± ---</td> <td>± ---</td> </tr> <tr> <td>3 PLACES</td> <td>± ---</td> <td>± ---</td> </tr> <tr> <td>2 PLACES</td> <td>± ---</td> <td>± ---</td> </tr> <tr> <td>1 PLACE</td> <td>± ---</td> <td>± ---</td> </tr> </table>		mm	INCH	4 PLACES	± ---	± ---	3 PLACES	± ---	± ---	2 PLACES	± ---	± ---	1 PLACE	± ---	± ---	DIMENSION STYLE MM ONLY DRAWN BY: PHELPS DATE: 2012/10/24 CHECKED BY: DATE:	SCALE: 1:10 DESIGN UNITS: METRIC THIRD ANGLE PROJECTION	TITLE: CTX PACKAGING SPEC GEN. MRKT. PRODUCT CUSTOMER COPY MOLEX MOLEX INCORPORATED DOCUMENT NO. SD-31301-053 SHEET NO. 1 OF 2
		mm	INCH																	
	4 PLACES	± ---	± ---																	
	3 PLACES	± ---	± ---																	
2 PLACES	± ---	± ---																		
1 PLACE	± ---	± ---																		
DRAFT WHERE APPLICABLE MUST REMAIN WITHIN DIMENSIONS	MATERIAL NO. SEE TABLE DATE: 2012/11/26 APPROVED BY: JNORTHRO	THIS DRAWING CONTAINS INFORMATION THAT IS PROPRIETARY TO MOLEX INCORPORATED AND SHOULD NOT BE USED WITHOUT WRITTEN PERMISSION																		

PACKAGING DATA											
PRODUCT DESCRIPTION	CTX 64				CTX 150			CTX 280 SEALED			
PRODUCT P/N SERIES	0348030*** 0348031*** 0348032***		0348033*** 0348035***		034805****			034808****			
GRIP CODE	S	L	S	L	S	M	L	VS	S	M	L
PART WT (Kg/1000)	.1552	.1642	.126	.126	.3070	.3270	.3470	.6596	.6886	.7106	.7332
STAND PACK QTY (SPQ)	60000	60000	60000	60000	35000	30000	25000	10000	10000	10000	10000
QTY/REEL	10000	10000	10000	10000	7000	6000	5000	2000	2000	2000	2000
REELS/SHIPPER CARTON	6	6	6	6	5	5	5	5	5	5	5
CARTONS/PALLET (MAX)	5	5	5	5	5	5	5	5	5	5	5
FILLED CARTON WT (Kg)	14.83	15.37	TBD	TBD	15.64	14.70	13.57	11.5	11.8	12.0	12.2
FLANGE DIAMETER (MM)	610	610	610	610	610	610	610	610	610	610	610

CUSTOMER COPY

SPQ CORRECTION EC NO: UAU2015-0955 DRWN:PPHELPS 2014/12/19 CHKD: APPR: JNORTHRO 2015/01/26 REV: 4	QUALITY SYMBOLS	GENERAL TOLERANCES (UNLESS SPECIFIED) <table border="1"> <tr> <th></th> <th>mm</th> <th>INCH</th> </tr> <tr> <td>4 PLACES</td> <td>± .005</td> <td>± .0004</td> </tr> <tr> <td>3 PLACES</td> <td>± .003</td> <td>± .0003</td> </tr> <tr> <td>2 PLACES</td> <td>± .002</td> <td>± .0002</td> </tr> <tr> <td>1 PLACE</td> <td>± .001</td> <td>± .0001</td> </tr> </table> ANGULAR ± 1 °		mm	INCH	4 PLACES	± .005	± .0004	3 PLACES	± .003	± .0003	2 PLACES	± .002	± .0002	1 PLACE	± .001	± .0001	DIMENSION STYLE MM ONLY	SCALE 1:15	DESIGN UNITS METRIC	THIRD ANGLE PROJECTION
			mm	INCH																	
	4 PLACES		± .005	± .0004																	
	3 PLACES		± .003	± .0003																	
2 PLACES	± .002	± .0002																			
1 PLACE	± .001	± .0001																			
DRAWN BY PPHELPS DATE 2012/10/24 CHECKED BY DATE	TITLE CTX PACKAGING SPEC GEN. MRKT. PRODUCT CUSTOMER COPY																				
APPROVED BY JNORTHRO DATE 2012/11/26	MOLEX INCORPORATED DOCUMENT NO. SD-31301-053																				
DRAFT WHERE APPLICABLE MUST REMAIN WITHIN DIMENSIONS	SIZE C	THIS DRAWING CONTAINS INFORMATION THAT IS PROPRIETARY TO MOLEX INCORPORATED AND SHOULD NOT BE USED WITHOUT WRITTEN PERMISSION		SHEET NO. 2 OF 2																	

CONTACT SHAPE DEFINITION

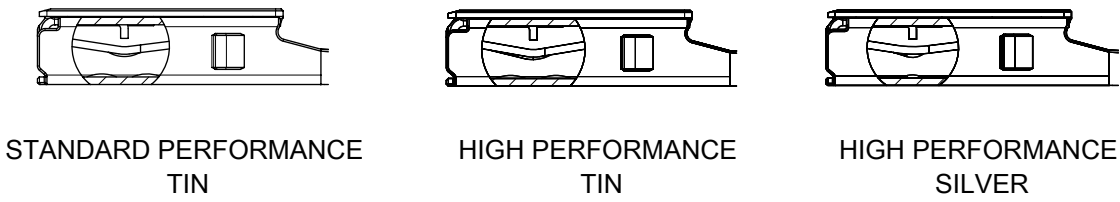
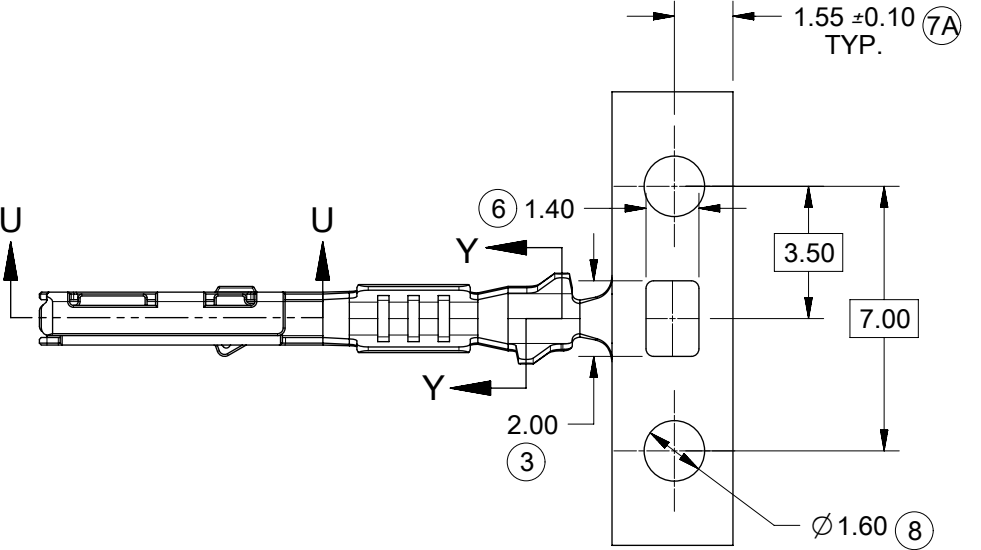
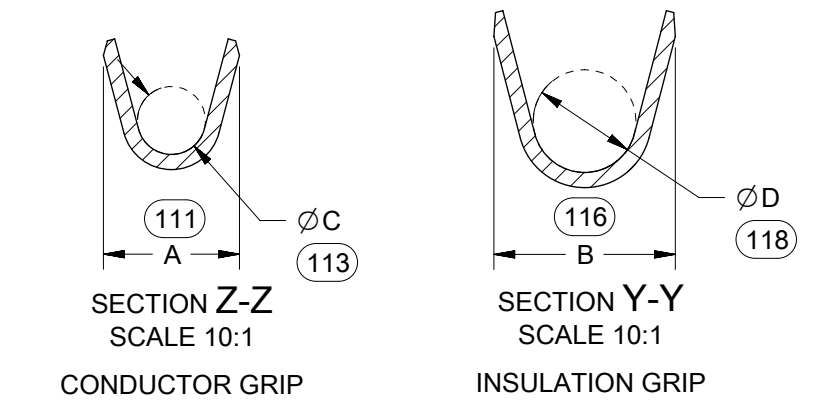
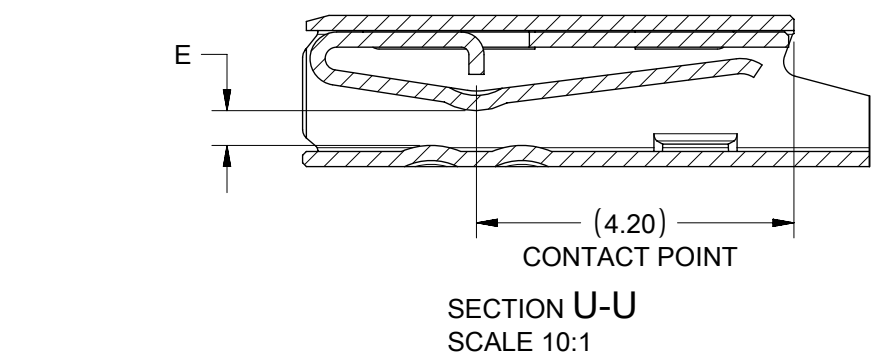
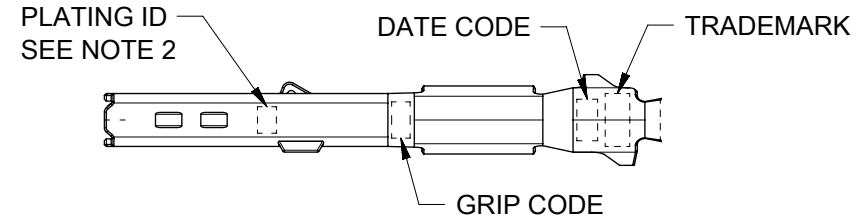
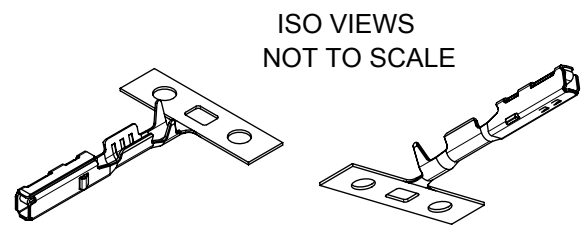
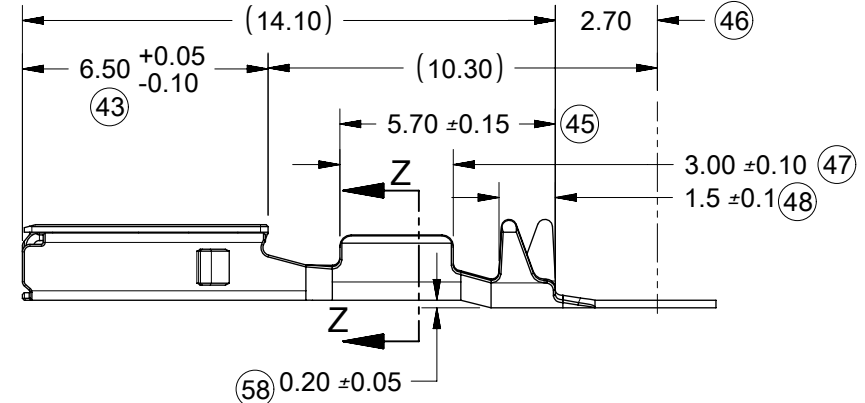
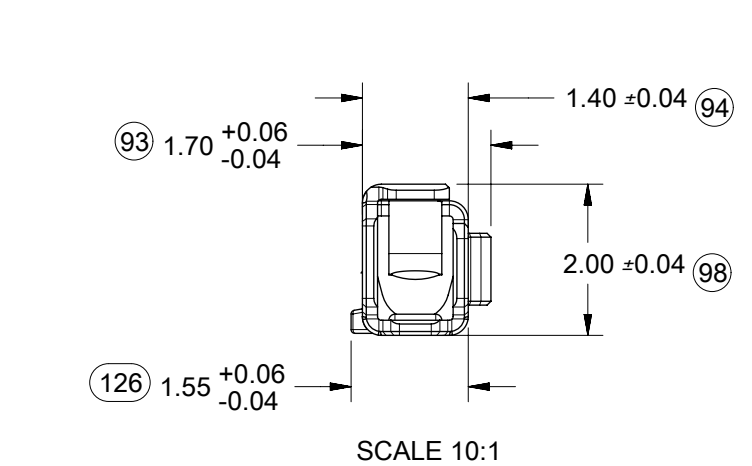


TABLE 1													
FAMILY	GENDER	SEALING	PLATING	PART NO	PAYOFF DIRECTION	GRIP CODE	WIRE SIZES*	A ±0.20	B ±0.30	C ±0.10	D ±0.20	E	SPECIAL CHARACTERISTICS
CTX64	RECEPTACLE	MAT SEAL	STANDARD TIN (Sn)	34803-3211	LEFT (D)	S	22AWG	1.80	2.40	0.90	1.36	(0.46)	STANDARD PERFORMANCE TIN
				34803-3213	RIGHT (B)		0.22-0.35mm ²						
				34803-3212	LEFT (D)	L	20AWG	2.15	2.50	1.20	1.72	(0.46)	STANDARD PERFORMANCE TIN
				34803-3214	RIGHT (B)		0.50-0.85mm ²						
			HP TIN (Sn)	34803-3411	LEFT (D)	S	22AWG	1.80	2.40	0.90	1.36	(0.42)	HIGH PERFORMANCE TIN
				34803-3413	RIGHT (B)		0.22-0.35mm ²						
				34803-3412	LEFT (D)	L	20AWG	2.15	2.50	1.20	1.72	(0.42)	HIGH PERFORMANCE TIN
				34803-3414	RIGHT (B)		0.50-0.75mm ²						
			HP SILVER (Ag)	34803-5303	LEFT (D)	S	22AWG	1.80	2.40	0.90	1.36	(0.46)	HIGH PERFORMANCE SILVER
				34803-5307	RIGHT (B)		0.22-0.35mm ²						
				34803-5305	LEFT (D)	L	20AWG	2.15	2.50	1.20	1.72	(0.46)	HIGH PERFORMANCE SILVER
				34803-5309	RIGHT (B)		0.50-0.75mm ²						



* SEE AS-502306-002 FOR SPECIFIC WIRE TYPES

- NOTES: (UNLESS OTHERWISE SPECIFIED)
1. MATERIAL: COPPER ALLOY
 2. PLATING MARK: TIN (Sn) - NO MARK
SILVER (Ag) - A
 3. PACKAGING PER SD-31301-053
 4. CRIMPING PER AS-502306-002
 5. PROBING AT ANY LOCATION ON THE TERMINAL BEAM IS NOT PERMITTED
 6. PRODUCT SPECIFICATION PER PS-502306-001
 7. ANTI-TARNISH TREATMENT FOR SILVER PLATED AREA: SYNTHETIC HYDROCARBON CONTACT SURFACE FINISH OR EQUIVALENT



FUNCTIONAL SYMBOLS	THIS DRAWING CONTAINS INFORMATION THAT IS PROPRIETARY TO MOLEX ELECTRONIC TECHNOLOGIES, LLC AND SHOULD NOT BE USED WITHOUT WRITTEN PERMISSION										
	THIS DRAWING CONTAINS INFORMATION THAT IS PROPRIETARY TO MOLEX ELECTRONIC TECHNOLOGIES, LLC AND SHOULD NOT BE USED WITHOUT WRITTEN PERMISSION	DIMENSION UNITS	SCALE	CURRENT REV DESC: HP TIN PART NUMBERS ADDED, CONTACT SHAPE VIEWS ADDED.							
	mm	5:1									
	GENERAL TOLERANCES (UNLESS SPECIFIED)										
ANGULAR TOL ± 1.0°											
4 PLACES ±	EC NO: 640448										
3 PLACES ±	DRWN: NVENKATESHSH 2018/08/13										
2 PLACES ± 0.08	CHK'D: GSIMON 2020/07/06										
1 PLACE ± 0.08	APPR: JCUATACERVAN 2020/07/20										
0 PLACES ±	INITIAL REVISION:										
	DRWN: AKARANA 2013/03/05										
	APPR: BMOSEY 2013/06/27										
DRAFT WHERE APPLICABLE MUST REMAIN WITHIN DIMENSIONS	THIRD ANGLE PROJECTION	DRAWING	SERIES	MATERIAL NUMBER	CUSTOMER	DOCUMENT NUMBER		DOC TYPE	DOC PART	REVISION	
		B-SIZE	34803	SEE TABLE 1	GENERAL MARKET	SD-34803-002	PSD	001	C		
										SHEET NUMBER	
										1 OF 1	