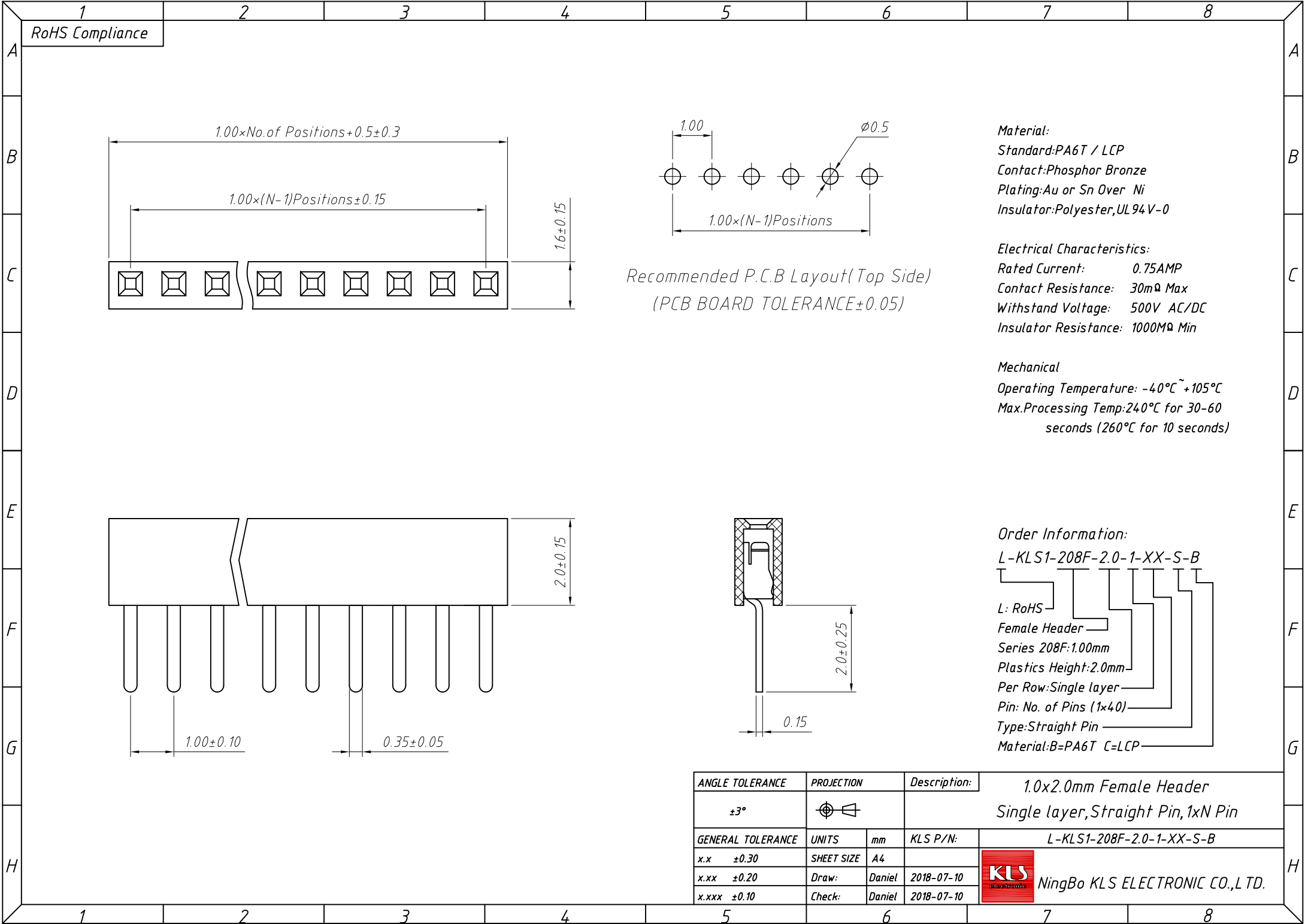


1
RoHS Compliance



Material:
 Standard: PA6T / LCP
 Contact: Phosphor Bronze
 Plating: Au or Sn Over Ni
 Insulator: Polyester, UL94V-0

Electrical Characteristics:
 Rated Current: 0.75AMP
 Contact Resistance: 30mΩ Max
 Withstand Voltage: 500V AC/DC
 Insulator Resistance: 1000MΩ Min

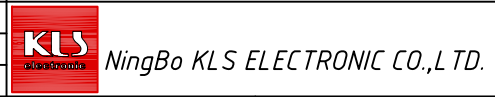
Mechanical
 Operating Temperature: $-40^{\circ}\text{C} \sim +105^{\circ}\text{C}$
 Max. Processing Temp: 240°C for 30-60 seconds (260°C for 10 seconds)

Recommended P.C.B Layout (Top Side)
 (PCB BOARD TOLERANCE ± 0.05)

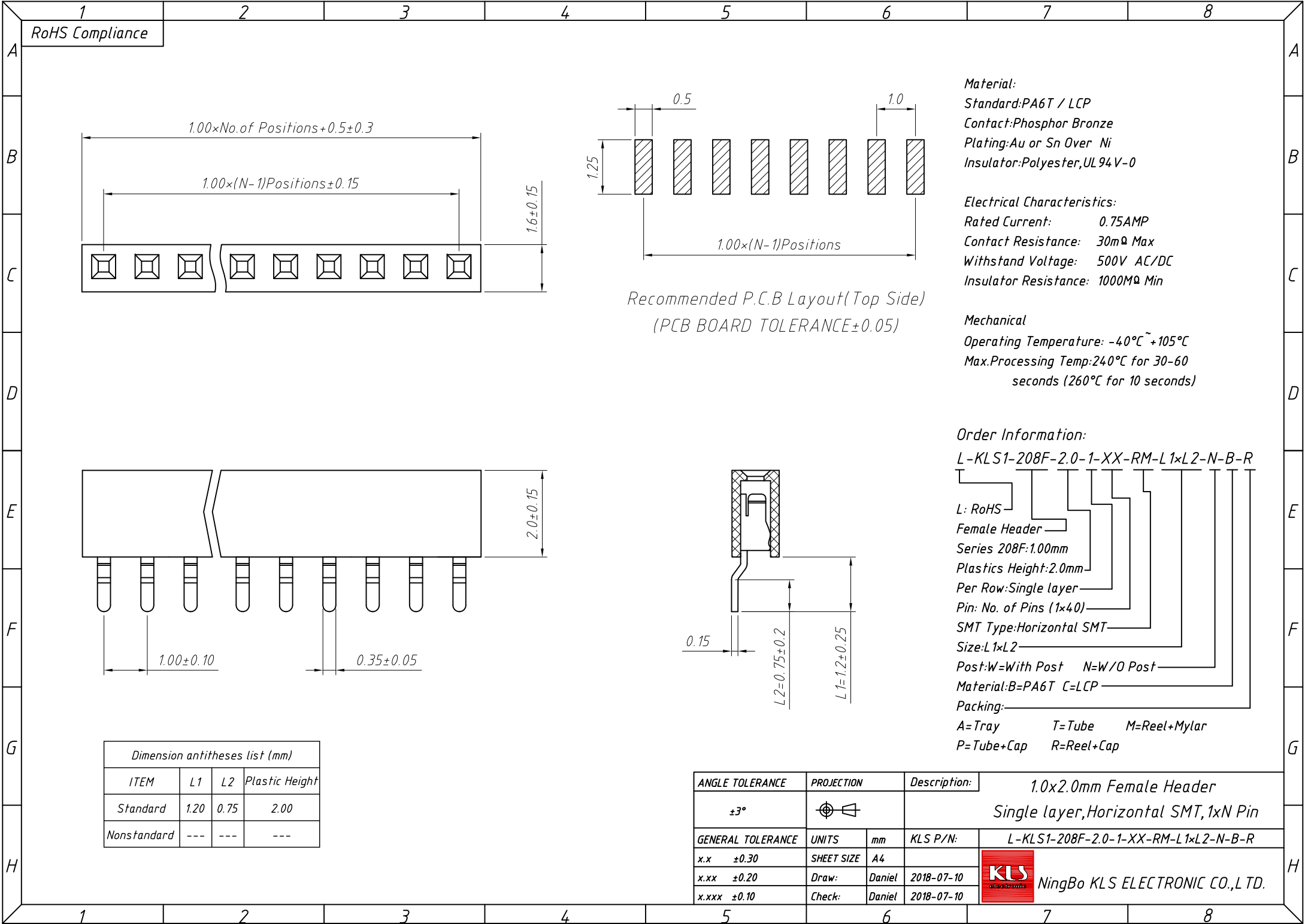
Order Information:
 L-KLS1-208F-2.0-1-XX-S-B

- L: RoHS
- Female Header
- Series 208F: 1.00mm
- Plastics Height: 2.0mm
- Per Row: Single layer
- Pin: No. of Pins (1x40)
- Type: Straight Pin
- Material: B=PA6T C=LCP

ANGLE TOLERANCE	PROJECTION	Description:	1.0x2.0mm Female Header Single layer, Straight Pin, 1xN Pin
$\pm 3^{\circ}$			
GENERAL TOLERANCE	UNITS	mm	KLS P/N:
x.x ± 0.30	SHEET SIZE	A4	L-KLS1-208F-2.0-1-XX-S-B
x.xx ± 0.20	Draw:	Daniel	2018-07-10
x.xxx ± 0.10	Check:	Daniel	2018-07-10



1
RoHS Compliance

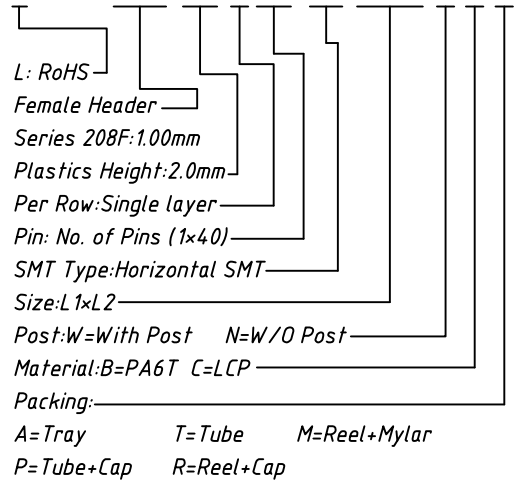


Material:
 Standard: PA6T / LCP
 Contact: Phosphor Bronze
 Plating: Au or Sn Over Ni
 Insulator: Polyester, UL 94V-0

Electrical Characteristics:
 Rated Current: 0.75AMP
 Contact Resistance: 30mΩ Max
 Withstand Voltage: 500V AC/DC
 Insulator Resistance: 1000MΩ Min

Mechanical
 Operating Temperature: -40°C ~ +105°C
 Max. Processing Temp: 240°C for 30-60 seconds (260°C for 10 seconds)

Order Information:
 L-KLS1-208F-2.0-1-XX-RM-L1xL2-N-B-R



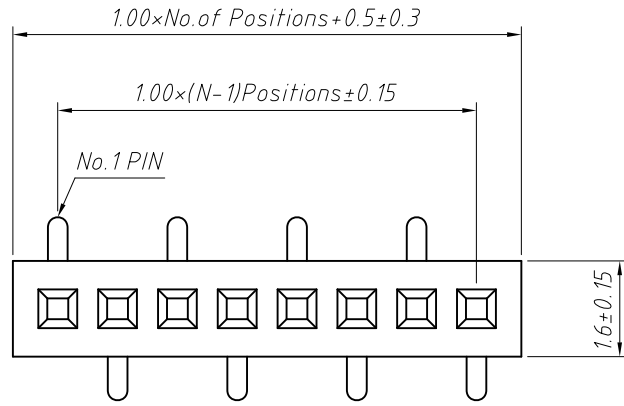
Dimension antitheses list (mm)

ITEM	L1	L2	Plastic Height
Standard	1.20	0.75	2.00
Nonstandard	---	---	---

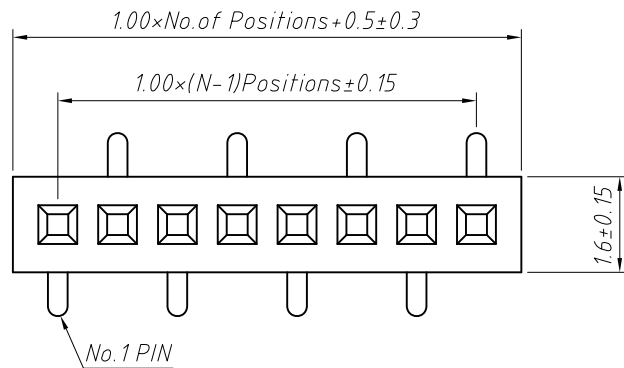
ANGLE TOLERANCE	PROJECTION	Description:	1.0x2.0mm Female Header	
±3°			Single layer, Horizontal SMT, 1xN Pin	
GENERAL TOLERANCE	UNITS	mm	KLS P/N: L-KLS1-208F-2.0-1-XX-RM-L1xL2-N-B-R	
x.x ±0.30	SHEET SIZE	A4		
x.xx ±0.20	Draw:	Daniel		2018-07-10
x.xxx ±0.10	Check:	Daniel		2018-07-10

NingBo KLS ELECTRONIC CO., L TD.

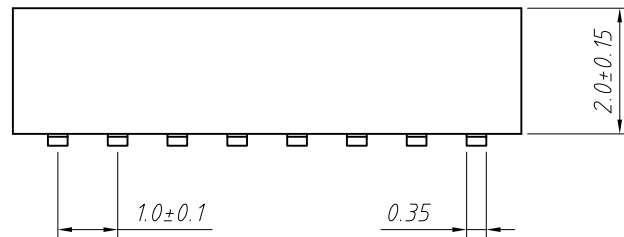
RoHS Compliance



T1 Type

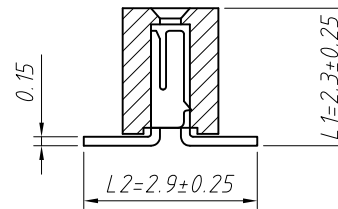
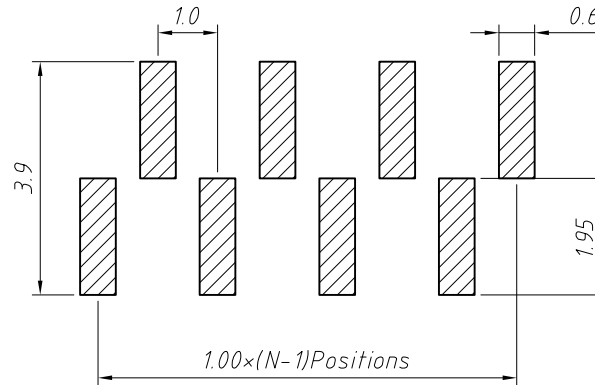
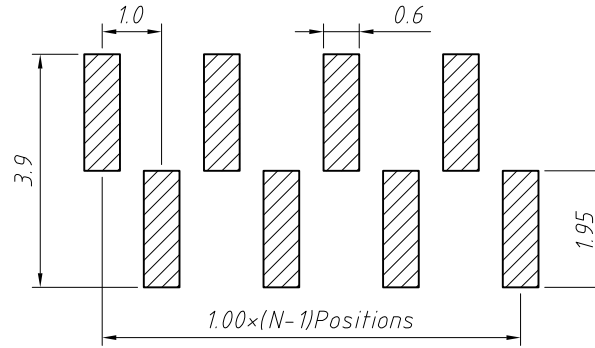


T2 Type



Dimension antitheses list (mm)			
ITEM	L1	L2	Plastic Height
Standard	2.30	2.90	2.00
Nonstandard	---	---	---

Recommended P.C.B Layout (Top Side)
(PCB BOARD TOLERANCE ±0.05)



Material:
Standard: PA6T / LCP
Contact: Phosphor Bronze
Contact plating: Au or Sn over Ni
Nickel Insulator: Polyester, UL 94V-0

Electrical Characteristics:
Rated Current: 0.75AMP
Contact Resistance: 30mΩ Max
Withstand Voltage: 500V AC/DC
Insulator Resistance: 1000MΩ Min

Mechanical
Operating Temperature: -40°C ~ +105°C
Max. Processing Temp: 240°C for 30-60 seconds (260°C for 10 seconds)

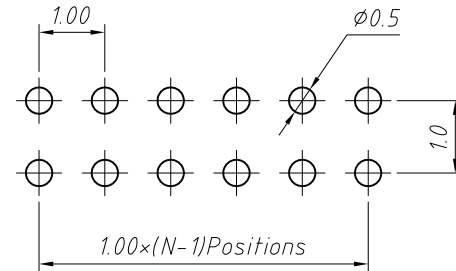
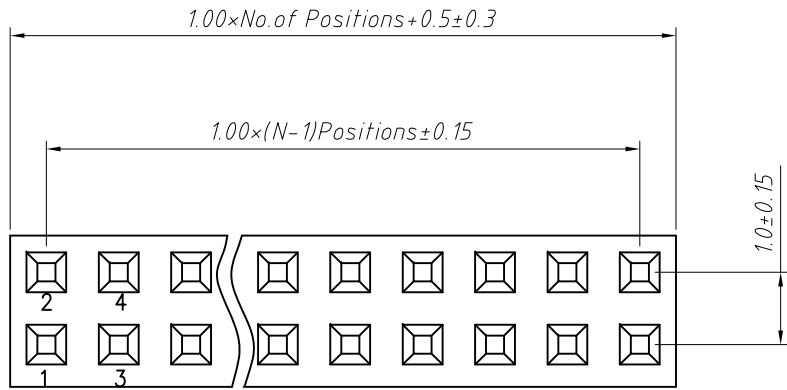
Order Information:

L-KLS1-208F-2.0-1-XX-T1-L1xL2-N-B-R

L: RoHS
Pin Header Series - 208F: 1.00mm
Plastics Height: 2.0mm
Per Row: Single layer
Pin: No. of Pins (1x40)
SMT Pin: T1 Type, T2 Type
Size: L1xL2
Post: W=With Post N=W/O Post
Material: B=PA6T C=LCP
Packing:
A=Tray T=Tube M=Reel+Mylar
P=Tube+Cap R=Reel+Cap

ANGLE TOLERANCE	PROJECTION	Description:	1.00mm Female Header	
±3°			Single layer, SMT Pin, 1xN Pin	
GENERAL TOLERANCE	UNITS	mm	KLS P/N:	L-KLS1-208F-2.0-1-XX-T1-L1xL2-N-B-R
x.x ±0.30	SHEET SIZE	A4		NingBo KLS ELECTRONIC CO.,L TD.
x.xx ±0.20	Draw:	Daniel	2018-07-10	
x.xxx ±0.10	Check:	Daniel	2018-07-10	

RoHS Compliance

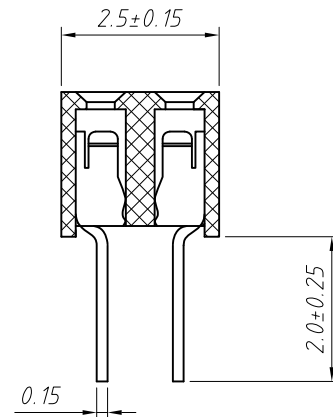
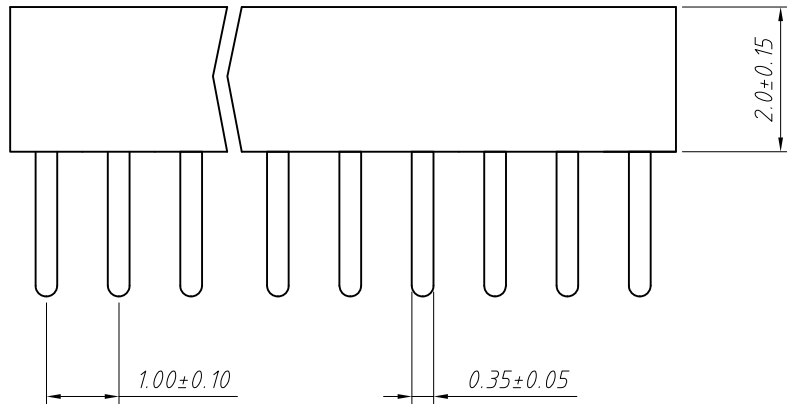


Recommended P.C.B Layout (Top Side)
(PCB BOARD TOLERANCE ±0.05)

Material:
Standard: PA6T / LCP
Contact: Phosphor Bronze
Plating: Au or Sn Over Ni
Insulator: Polyester, UL 94V-0

Electrical Characteristics:
Rated Current: 0.75AMP
Contact Resistance: 30mΩ Max
Withstand Voltage: 500V AC/DC
Insulator Resistance: 1000MΩ Min

Mechanical
Operating Temperature: -40°C ~ +105°C
Max. Processing Temp: 230°C for 30-60 seconds (260°C for 10 seconds)



Order Information:
L-KLS1-208F-2.0-2-XX-S-B

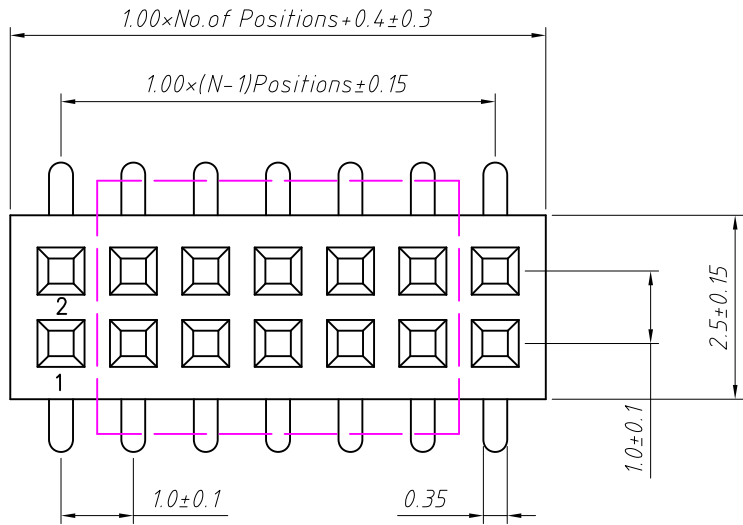
- L: RoHS
- Female Header
- Series 208F: 1.00mm
- Plastics Height: 2.0mm
- Per Row: Double layer
- Pin: No. of Pins (2x40)
- Type: Straight Pin
- Material: B=PA6T C=LCP

ANGLE TOLERANCE	PROJECTION	Description:	1.0x2.0mm Female Header Double layer, Straight Pin, 2xN Pin
±3°			
GENERAL TOLERANCE	UNITS	mm	KLS P/N:
x.x ±0.30	SHEET SIZE	A4	L-KLS1-208F-2.0-2-XX-S-B
x.xx ±0.20	Draw:	Daniel	2018-07-10
x.xxx ±0.10	Check:	Daniel	2018-07-10

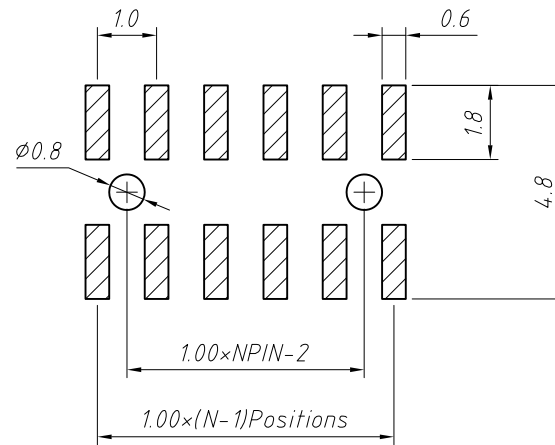


NingBo KLS ELECTRONIC CO.,L TD.

RoHS Compliance



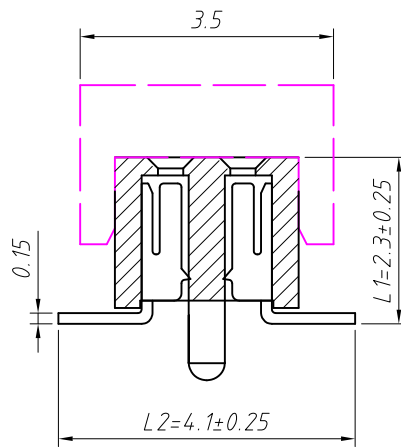
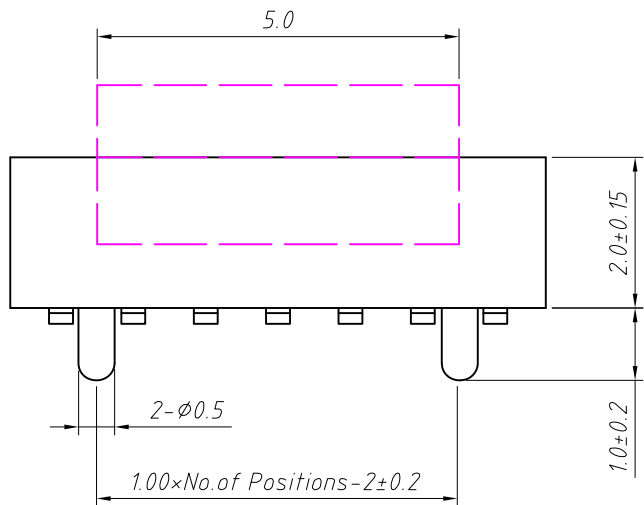
Recommended P.C.B Layout (Top Side)
(PCB BOARD TOLERANCE ± 0.05)



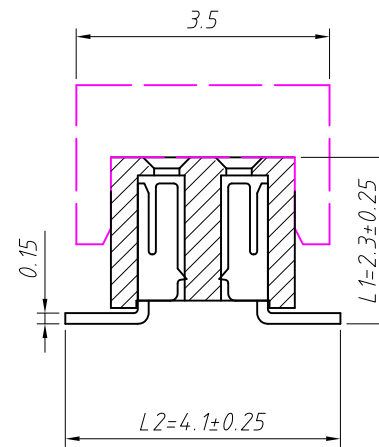
Material:
Standard: PA6T / LCP
Contact: Phosphor Bronze
Contact plating: Au or Sn over Ni
Nickel Insulator: Polyester, UL 94V-0

Electrical Characteristics:
Rated Current: 0.75AMP
Contact Resistance: 30mΩ Max
Withstand Voltage: 500V AC/DC
Insulator Resistance: 1000MΩ Min

Mechanical
Operating Temperature: -40°C ~ +105°C
Max. Processing Temp: 230°C for 30-60 seconds (260°C for 10 seconds)



T3=With Post



T=Without Post

Order Information:

L-KLS1-208F-2.0-2-XX-T-L1xL2-B-R

L: RoHS
Pin Header Series-
208F: 1.00mm
Plastics Height: 2.0mm
Per Row: Double layer
Pin: No. of Pins (2x40)
SMT: T=Without Post, T3=With Post
Size: L1xL2
Material: B=PA6T C=LCP
Packing:
A=Tray T=Tube M=Reel+Mylar
P=Tube+Cap R=Reel+Cap

Dimension antitheses list (mm)			
ITEM	L1	L2	Plastic Height
Standard	2.30	4.10	2.00
Nonstandard	---	---	---

ANGLE TOLERANCE	PROJECTION	Description:
±3°		1.00mm Female Header Double layer, SMT Pin, 2xN Pin
GENERAL TOLERANCE	UNITS	mm
x.x ±0.30	SHEET SIZE	A4
x.xx ±0.20	Draw:	Daniel 2018-07-10
x.xxx ±0.10	Check:	Daniel 2018-07-10



NingBo KLS ELECTRONIC CO.,L TD.