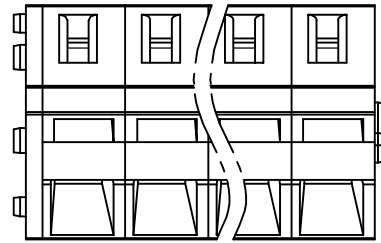


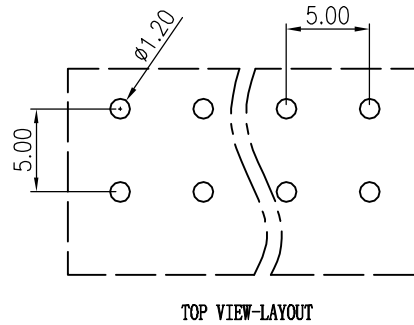
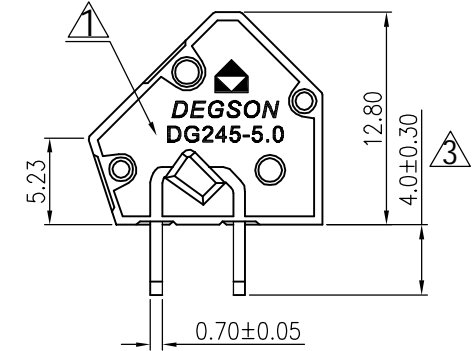
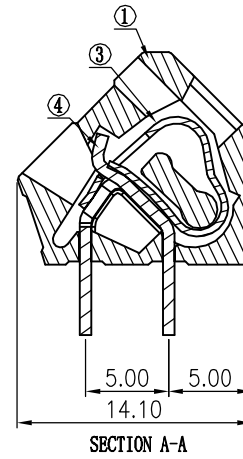
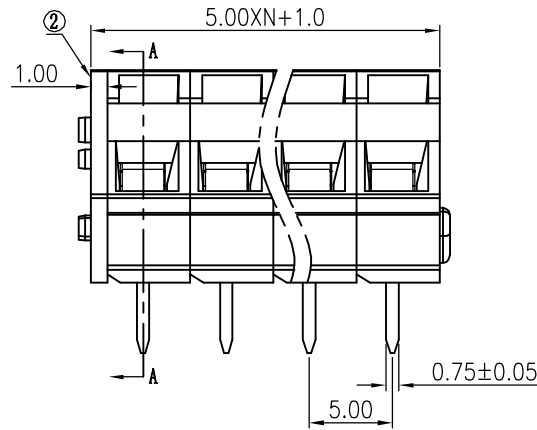
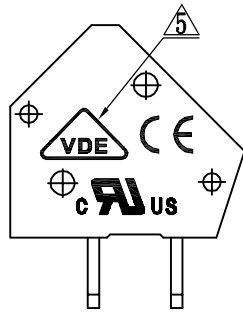
REVISION RECORD					
REV	ECN	DESCRIPTION	DRFT	DATE	
△		增加刻字	CSX	04/12/07"	
△		增加UL刻字	CSX	07/27/07"	
△		出脚由4.2改为4.0	CSX	08/01/07"	
△		修改参数	Zengy	12/20/08"	
△	10-0080	增加“VDE”刻字及参数	Jinbai, Lan	04/16/10"	



Notes:

1. Pitch:5.0mm , Poles:XXP
2. Rated voltage/current:UL 300V/15A  
VDE 450V/17A
3. Operation temperatures:-40℃~+105℃
4. Withstanding Voltage:AC2000V/1Min
5. Insulation Resistance:5000MΩ /DC1000V
6. Wire Range:28~12AWG, 2.5mm<sup>2</sup>
7. Undimensioned Tolerances:

Pitch range in mm		Nominal dimension range in mm					
to	over	over	over	over	over		
6	6 to 10	10 to 24	30 to 60	60 to 100	100 to 150	150	
±0.10	±0.15	±0.25	±0.2	±0.3	±0.5	±0.7	±1.0
							0.05/10



4	DG245 Pin header	3025B00010 (H)	XX	Phosphor bronze	SnCe
3	DG242 Spring	X000000990 (H)	XX	Stainless steel	
2	DG245-5.0-COVER	3025C0Y01A (H)	1	PA66	UL94V-0

ITEM	NAME OF PART	NO. OF PART	Q'TY	MATERIAL	NOTES
1	DG245-5.0-HOUSING	3025A0Y01A (H)	XX	PA66	UL94V-0

DETAILED LISTS	MM (INCH)	DFTO LIUM	DATE 01/13/06"
		CHKD	DATE
	TOLERANCES EXCEPT AS NOTED	MFO	DATE
		APPVL	DATE
	MM		
	.0 ±	±	
	.00 ±	±	
	.000 ±	±	
		MATERIAL :	
	ANGLES ± 1°	G.E :	
	THIRD ANGLE PROJECTION	FINISH :	
		SCALE :	

宁波高正电子有限公司 DEGSON ELECTRONICS CO., LTD	
NAME DG245-5.0-XXP-1Y-00A(H)	
DRAWING NO. DG245-5.0-E01	SIZE A3
/PART NO.	REV T5
DO NOT SCALE DRAWING	REV 04/16/10"
SHEET 1	OF 1