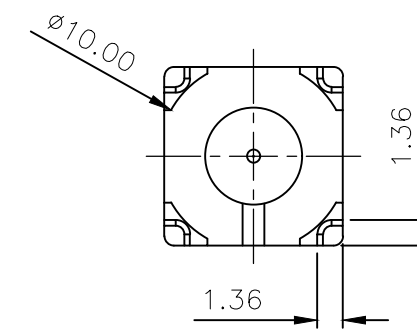
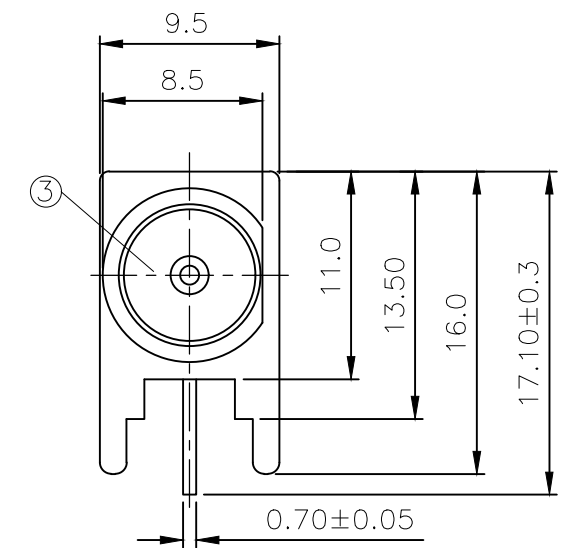
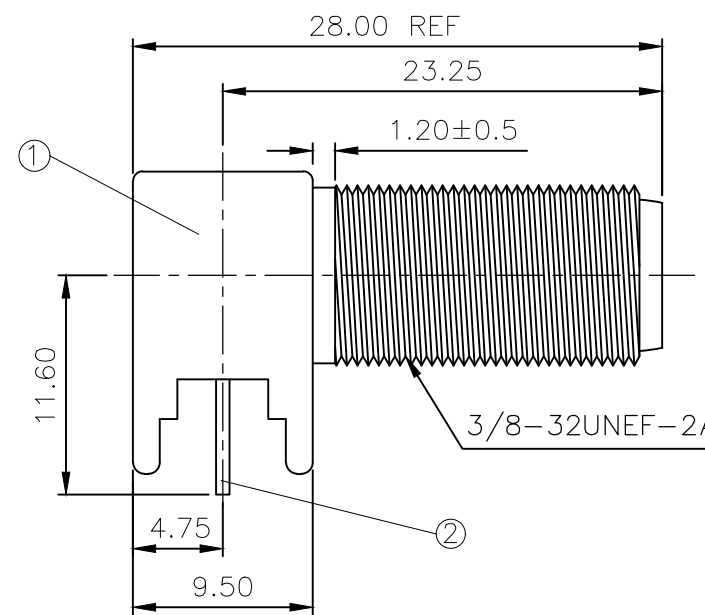
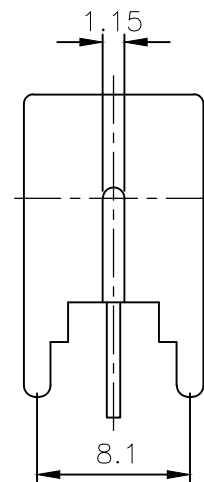


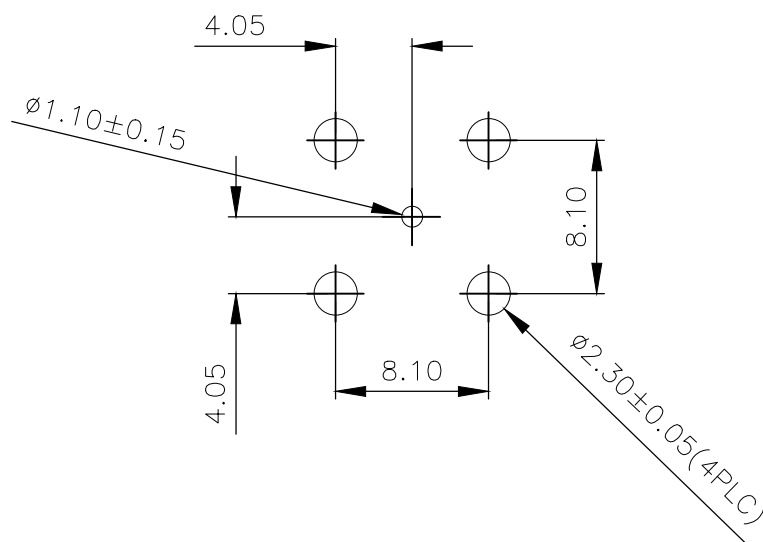
P	LTR	DESCRIPTION	DATE	DWN	APVD
	C2	REVISED PER ECR-20-009969	14JUL2020	ED	RS

NOTES

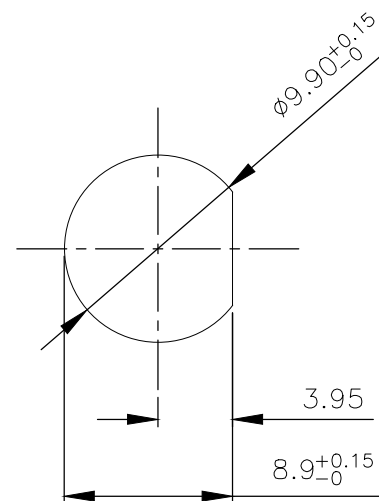
- ① PACKAGING: 50 PCS/TRAY, 20 TRAYS/CTN
- ② PACKAGING: SINGLE PACK, 1PC/BAG, 100 BAGS/BOX, 10 BOXES/CTN
- ③ TIN PLATING
- ④ Ni PLATING
- ⑤ PACKAGING: 100 PCS/BAG, 1BAG/BOX, 10 BOXES/CTN



RECOMMENDED PCB LAYOUT WITH MOUNTING POSTS



RECOMMENDED MOUNTING HOLE



QTY	QTY	QTY	MATERIAL	DESCRIPTION	ITEM
1	1	1	TPX	INSULATOR	3
1	1	1	PHOS BRONZE ③	CONTACT	2
1	1	1	ZINC ALLOY ④	BODY	1
5--2	5--1	5--0			
⑤	②	①			

THIS DRAWING IS A CONTROLLED DOCUMENT.		DWN ANSON MA 14FEB09	<b>STE</b> TE Connectivity			
		CHK RITA ZUO 14FEB09				
		APVD BOB ZHAO 14FEB09	NAME			
		PRODUCT SPEC	F SERIES CONNECTOR ELBOW JACK PCB			
		108-112000				
		APPLICATION SPEC				
		WEIGHT 0.000000	SIZE A3	CAGE CODE 00779	DRAWING NO C-1634540	RESTRICTED TO
		CUSTOMER DRAWING	SCALE NTS	SHEET 1 OF 1	REV C2	