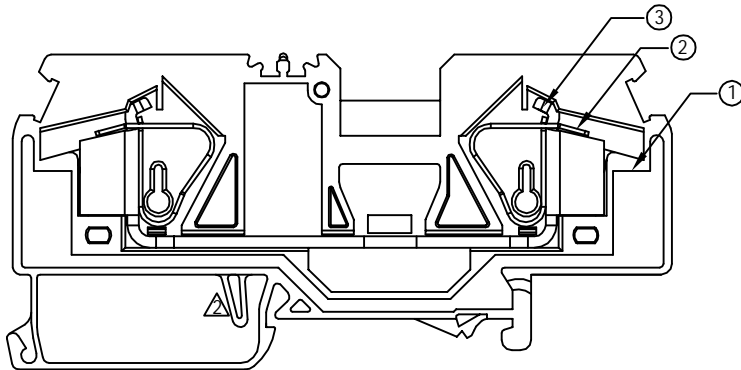
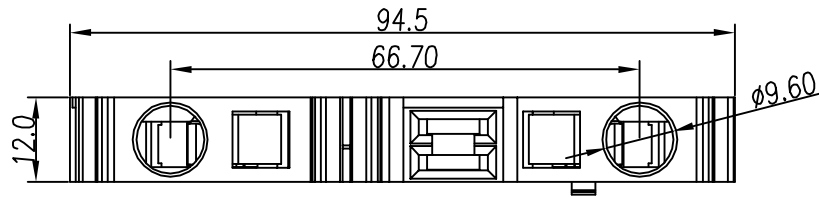
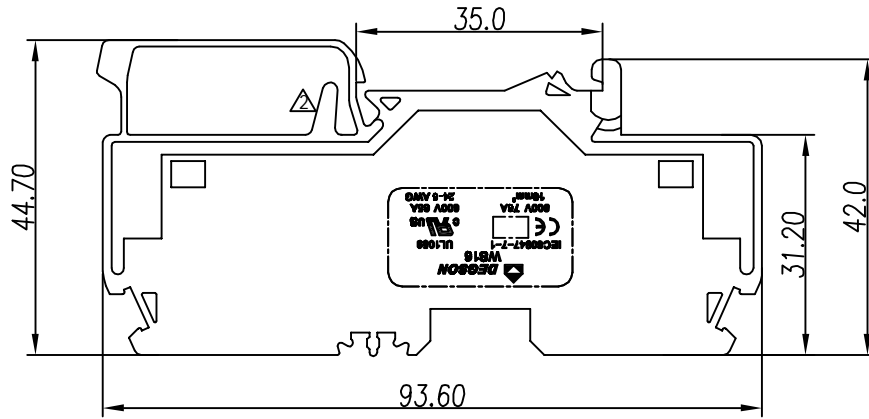


REVISION RECORD				
REV	ECD	DESCRIPTION	DRFT	DATE
△		刻字变更	LIN	01/25/08'
△		加限位结构	CW	05.14.09



Notes:

- Thickness: 12.0mm;
- Rated Voltage/current: UL: 600V/65A  
IEC: 800V/76A
- Operation temperatures:  $-40^{\circ}\text{C} \sim +105^{\circ}\text{C}$ ;
- Withstanding Voltage: AC3000V/1Min;
- Insulation Resistance: 5000M $\Omega$ /DC1000V;
- Wire Range: 24~6AWG; 16mm<sup>2</sup>
- Undimensioned Tolerances:

	Pitch range in mm		Nominal dimension range in mm				—		
	over 6 to 6	over 10 to 24	over 30 to 30	over 60 to 60	over 100 to 100	over 150 to 150			
	±0.10	±0.15	±0.25	±0.2	±0.3	±0.5	±0.7	±1.0	0.05/10

3	WS16-Current carrier	6030B00010(H)	1	Copper	SnCe
2	WS16-Shrapnel	X000001930(H)	2	Stainlee steel	
1	WS16-HOUSING	6030A0Y01A(H)	1	PA66	UL94V-0
ITEM	NAME OF PART	NO. OF PART	Q'TY	MATERIAL	NOTES

DETACHED LISTS	MM (INCH)	DF TO LIN	DATE 10/19/06'	宁波高正电子有限公司 DEGSON ELECTRONICS CO., LTD				
	TOLERANCES EXCEPT AS NOTED	CHKD	DATE			NAME		
	MM	MFD	DATE			WS16-01P-1Y-00A(H)		
	.0 ±	APPVL	DATE			DRAWING NO. WS16-E01	SIZE	REV
	.00 ±	MATERIAL :				/PART NO.	A3	T2
.000 ±	ANGLES ± 1°	G.E :	DO NOT SCALE DRAWING	SHEET 1	OF 1			
THIRD ANGLE PROJECTION	FINISH:	SCALE :						