



Data Sheet

π 140M/ π 141M/ π 142M

FEATURES

Ultra low power consumption (1Mbps):

0.58mA/Channel

High data rate: π 14xAxx: 600Mbps

π 14xExx: 200Mbps

π 14xMxx: 10Mbps

π 14xUxx: 150kbps

High common-mode transient immunity: 75 kV/ μ s typical

High robustness to radiated and conducted noise

Low propagation delay:

8 ns typical for 5 V operation

9 ns typical for 3.3 V operation

Isolation voltages:

π 14xx3x: AC 3000Vrms

π 14xx6x: AC 6000Vrms

High ESD rating:

ESDA/IEDEC JS-001-2017

Human body model (HBM) \pm 8kV, all pins

Safety and regulatory approvals (Pending):

UL certificate number: E494497

3000Vrms/6000Vrms for 1 minute per UL 1577

CSA Component Acceptance Notice 5A

VDE certificate number: 40047929

DIN V VDE V 0884-10 (VDE V 0884-10):2006-12

$V_{IORM} = 707V$ peak/1200V peak

CQC certification per GB4943.1-2011

3 V to 5.5 V level translation

AEC-Q100 qualification

Wide temperature range: $-40^{\circ}C$ to $125^{\circ}C$

16-lead, RoHS-compliant, SOIC_N, SOIC_W and SSOP package

APPLICATIONS

General-purpose multichannel isolation

Industrial field bus isolation

GENERAL DESCRIPTION

The π 1xxxx is a 2PaiSemi digital isolators product family that includes over hundreds of digital isolator products. By using matured standard semiconductor CMOS technology and 2PaiSEMI *iDivider* technology, these isolation components provide outstanding performance characteristics and reliability superior to alternatives such as optocoupler devices and other integrated isolators.

Intelligent voltage divider technology (*iDivider* technology) is a new generation digital isolator technology invented by 2PaiSEMI. It uses the principle of capacitor voltage divider to transmit voltage signal directly cross the isolator capacitor without signal modulation and demodulation.

The π 1xxxx isolator data channels are independent and are available in a variety of configurations with a withstand voltage rating of 1.5 kV rms to 6.0 kV rms and the data rate from DC up to 600Mbps (see the Ordering Guide). The devices operate with the supply voltage on either side ranging from 3.0 V to 5.5 V, providing compatibility with lower voltage systems as well as enabling voltage translation functionality across the isolation barrier. The fail-safe state is available in which the outputs transition to a preset state when the input power supply is not applied.

FUNCTIONAL BLOCK DIAGRAMS

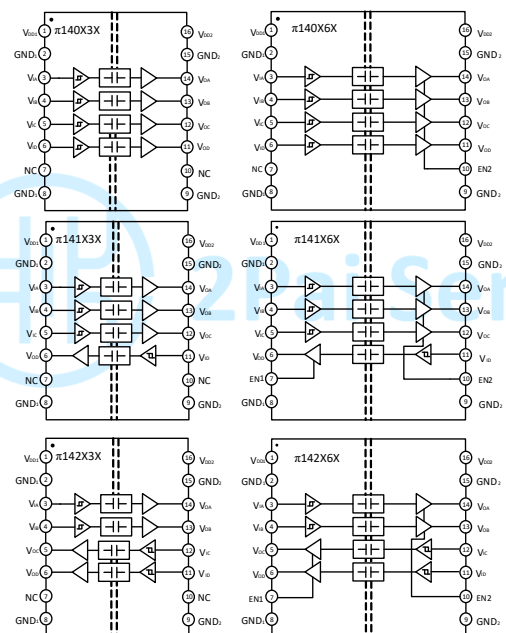


Figure1. π 140xxx/ π 141xxx/ π 142xxx functional Block Diagram

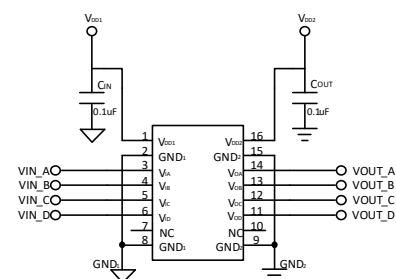
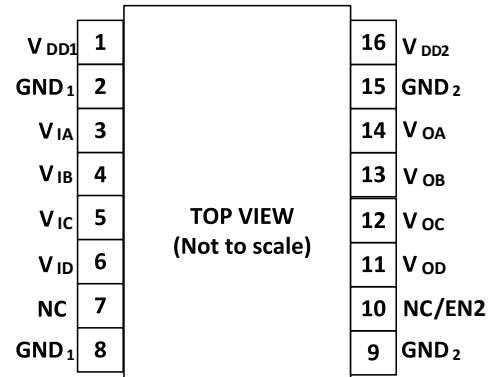


Figure2. π 140x3x Typical Application Circuit

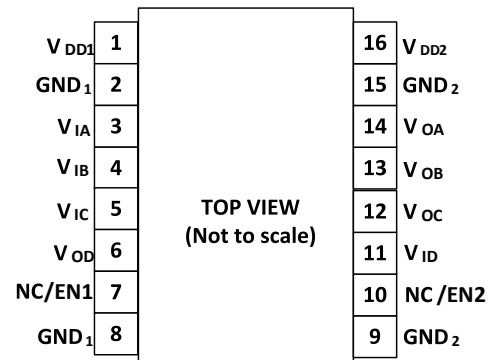
PIN CONFIGURATIONS AND FUNCTIONS

 π 140Mxx Pin Function Descriptions

Pin No.	Name	Description
1	V _{DD1}	Supply Voltage for Isolator Side 1.
2	GND ₁	Ground 1. This pin is the ground reference for Isolator Side 1.
3	V _{IA}	Logic Input A.
4	V _{IB}	Logic Input B.
5	V _{IC}	Logic Input C.
6	V _{ID}	Logic Input D.
7	NC	No connect.
8	GND ₁	Ground 1. This pin is the ground reference for Isolator Side 1.
9	GND ₂	Ground 2. This pin is the ground reference for Isolator Side 2.
10	NC /EN2	No connect for π 140M3X. Output enable for π 140M6X. Output pins on side 2 are enabled when EN2 is high or open and in high-impedance state when EN2 is low.
11	V _{OD}	Logic Output D.
12	V _{OC}	Logic Output C.
13	V _{OB}	Logic Output B.
14	V _{OA}	Logic Output A.
15	GND ₂	Ground 2. This pin is the ground reference for Isolator Side 2.
16	V _{DD2}	Supply Voltage for Isolator Side 2.

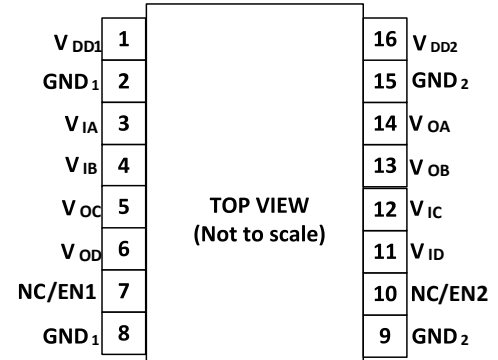
Figure3 π 140Mxx Pin Configuration π 141Mxx Pin Function Descriptions

Pin No.	Name	Description
1	V _{DD1}	Supply Voltage for Isolator Side 1.
2	GND ₁	Ground 1. This pin is the ground reference for Isolator Side 1.
3	V _{IA}	Logic Input A.
4	V _{IB}	Logic Input B.
5	V _{IC}	Logic Input C.
6	V _{OD}	Logic Output D.
7	NC/EN1	No connect for π 141M3X. Output enable 1 for π 141M6X. Output pins on side 1 are enabled when EN1 is high or open and in high-impedance state when EN1 is low.
8	GND ₁	Ground 1. This pin is the ground reference for Isolator Side 1.
9	GND ₂	Ground 2. This pin is the ground reference for Isolator Side 2.
10	NC/EN2	No connect for π 141M3X. Output enable 2 for π 141M6X. Output pins on side 2 are enabled when EN2 is high or open and in high-impedance state when EN2 is low.
11	V _{ID}	Logic Input D.
12	V _{OC}	Logic Output C.
13	V _{OB}	Logic Output B.
14	V _{OA}	Logic Output A.
15	GND ₂	Ground 2. This pin is the ground reference for Isolator Side 2.
16	V _{DD2}	Supply Voltage for Isolator Side 2.

Figure4. π 141Mxx Pin Configuration

π 142Mxx Pin Function Descriptions

Pin No.	Name	Description
1	V _{DD1}	Supply Voltage for Isolator Side 1.
2	GND ₁	Ground 1. This pin is the ground reference for Isolator Side 1.
3	V _{IA}	Logic Input A.
4	V _{IB}	Logic Input B.
5	V _{OC}	Logic Output C.
6	V _{OD}	Logic Output D.
7	NC/EN1	No connect for π 142M3X. Output enable 1 for π 142M6X. Output pins on side 1 are enabled when EN1 is high or open and in high-impedance state when EN1 is low.
8	GND ₁	Ground 1. This pin is the ground reference for Isolator Side 1.
9	GND ₂	Ground 2. This pin is the ground reference for Isolator Side 2.
10	NC/EN2	No connect for π 142M3X. Output enable 2 for π 142M6X. Output pins on side 2 are enabled when EN2 is high or open and in high-impedance state when EN2 is low.
11	V _{ID}	Logic Input D.
12	V _{IC}	Logic Input C.
13	V _{OB}	Logic Output B.
14	V _{OA}	Logic Output A.
15	GND ₂	Ground 2. This pin is the ground reference for Isolator Side 2.
16	V _{DD2}	Supply Voltage for Isolator Side 2.

Figure 5. π 142Mxx Pin Configuration

ABSOLUTE MAXIMUM RATINGS

T_A = 25°C, unless otherwise noted.Table 1. Absolute Maximum Ratings⁴

Parameter	Rating
Supply Voltages (V _{DD1} -GND ₁ , V _{DD2} -GND ₂)	-0.5 V to +7.0 V
Input Voltages (V _{IA} , V _{IB}) ¹	-0.5 V to V _{DDx} + 0.5 V
Output Voltages (V _{OA} , V _{OB}) ¹	-0.5 V to V _{DDx} + 0.5 V
Average Output Current per Pin ² Side 1 Output Current (I _{O1})	-10 mA to +10 mA
Average Output Current per Pin ² Side 2 Output Current (I _{O2})	-10 mA to +10 mA
Common-Mode Transients Immunity ³	-150 kV/μs to +150 kV/μs
Storage Temperature (T _{ST}) Range	-65°C to +150°C
Ambient Operating Temperature (T _A) Range	-40°C to +125°C

Notes:

¹ V_{DDx} is the side voltage power supply V_{DD}, where x = 1 or 2.² See Figure 6 for the maximum rated current values for various temperatures.³ See Figure 19 for Common-mode transient immunity (CMTI) measurement.⁴ Stresses at or above those listed under Absolute Maximum Ratings may cause permanent damage to the device. These are stress rating only; functional operation of the device at these or any other conditions above those indicated in the operational section of this specification is not implied. Operation beyond the maximum operating conditions for extended periods may affect product reliability.

RECOMMENDED OPERATING CONDITIONS

Table 2. Recommended Operating Conditions

Parameter	Symbol	Min	Typ	Max	Unit
Supply Voltage	V_{DDx}^1	3		5.5	V
High Level Input Signal Voltage	V_{IH}	$0.7 \cdot V_{DDx}^1$		V_{DDx}^1	V
Low Level Input Signal Voltage	V_{IL}	0		$0.3 \cdot V_{DDx}^1$	V
High Level Output Current	I_{OH}	-6			mA
Low Level Output Current	I_{OL}			6	mA
Maximum Data Rate		0		10	Mbps
Junction Temperature	T_J	-40		150	°C
Ambient Operating Temperature	T_A	-40		125	°C

Notes:

¹ V_{DDx} is the side voltage power supply V_{DD} , where x = 1 or 2.

Truth Tables

Table 3. π 140M3x/ π 141M3x/ π 142M3x Truth Table

V_{ix} Input ¹	V_{DDI} State ¹	V_{DDO} State ¹	Default Low V_{Ox} Output ¹	Default High V_{Ox} Output ¹	Test Conditions /Comments
Low	Powered ²	Powered ²	Low	Low	Normal operation
High	Powered ²	Powered ²	High	High	Normal operation
Open	Powered ²	Powered ²	Low	High	Default output
Don't Care ⁴	Unpowered ³	Powered ²	Low	High	Default output ⁵
Don't Care ⁴	Powered ²	Unpowered ³	High Impedance	High Impedance	

Notes:

¹ V_{ix}/V_{Ox} are the input/output signals of a given channel (A or B). V_{DDI}/V_{DDO} are the supply voltages on the input/output signal sides of this given channel.² Powered means $V_{DDx} \geq 2.9$ V³ Unpowered means $V_{DDx} < 2.3$ V⁴ Input signal (V_{ix}) must be in a low state to avoid powering the given V_{DDI} through its ESD protection circuitry.⁵ If the V_{DDI} goes into unpowered status, the channel outputs the default logic signal after around 1 μ s. If the V_{DDI} goes into powered status, the channel outputs the input status logic signal after around 1 μ s.Table 4. π 140M6x/ π 141M6x/ π 142M6x Truth Table

V_{ix} Input ¹	EN1/2 State	V_{DDI} State ¹	V_{DDO} State ¹	Default Low V_{Ox} Output ¹	Default High V_{Ox} Output ¹	Test Conditions /Comments
Low	High or NC	Powered ²	Powered ²	Low	Low	Normal operation
High	High or NC	Powered ²	Powered ²	High	High	Normal operation
Don't Care ⁴	L	Powered ²	Powered ²	High Impedance	High Impedance	Disabled
Open	High or NC	Powered ²	Powered ²	Low	High	Default output ⁵
Don't Care ⁴	High or NC	Unpowered ³	Powered ²	Low	High	Default output ⁵
Don't Care ⁴	L	Unpowered ³	Powered ²	High Impedance	High Impedance	
Don't Care ⁴	Don't Care ⁴	Powered ²	Unpowered ³	High Impedance	High Impedance	

Notes:

¹ V_{ix}/V_{Ox} are the input/output signals of a given channel (A or B). V_{DDI}/V_{DDO} are the supply voltages on the input/output signal sides of this given channel.² Powered means $V_{DDx} \geq 2.9$ V³ Unpowered means $V_{DDx} < 2.3$ V⁴ Input signal (V_{ix}) must be in a low state to avoid powering the given V_{DDI} through its ESD protection circuitry.⁵ If the V_{DDI} goes into unpowered status, the channel outputs the default logic signal after around 1 μ s. If the V_{DDI} goes into powered status, the channel outputs the input status logic signal after around 1 μ s.

SPECIFICATIONS

ELECTRICAL CHARACTERISTICS

Table 5. Switching Specifications

 $V_{DD1} - V_{GND1} = V_{DD2} - V_{GND2} = 3.3V_{DC} \pm 10\%$ or $5V_{DC} \pm 10\%$, $T_A = 25^\circ C$, unless otherwise noted.

Parameter	Symbol	Min	Typ	Max	Unit	Test Conditions/Comments
Minimum Pulse Width	PW			100	ns	Within pulse width distortion (PWD) limit
Maximum Data Rate		10			Mbps	Within PWD limit
Propagation Delay Time ^{1,4}	t_{pHL}, t_{pLH}	5.5	8	12.5	ns	The different time between 50% input signal to 50% output signal 50% @ 5V _{DC} supply
		6.5	9	13.5	ns	@ 3.3V _{DC} supply
Pulse Width Distortion ⁴	PWD	0	0.3	0.8	ns	The max different time between t_{pHL} and t_{pLH} @ 5V _{DC} supply. And The value is $ t_{pHL} - t_{pLH} $
		0	0.3	0.8	ns	@ 3.3V _{DC} supply
Part to Part Propagation Delay Skew ⁴	t_{PSK}			1	ns	The max different propagation delay time between any two devices at the same temperature, load and voltage @ 5V _{DC} supply
				1	ns	@ 3.3V _{DC} supply
Channel to Channel Propagation Delay Skew ⁴	t_{CSK}		0	1	ns	The max amount propagation delay time differs between any two output channels in the single device @ 5V _{DC} supply.
			0	0.8	ns	@ 3.3V _{DC} supply
Output Signal Rise/Fall Time ⁴	t_r/t_f		1.5		ns	10% to 90% signal terminated 50 Ω , See figure15.
Dynamic Input Supply Current per Channel	$I_{DDI(D)}$		9		μA /Mbps	Inputs switching, 50% duty cycle square wave, CL = 0 pF @ 5V _{DC} Supply
Dynamic Output Supply Current per Channel	$I_{DDO(D)}$		38		μA /Mbps	Inputs switching, 50% duty cycle square wave, CL = 0 pF @ 5V _{DC} Supply
Dynamic Input Supply Current per Channel	$I_{DDI(D)}$		5		μA /Mbps	Inputs switching, 50% duty cycle square wave, CL = 0 pF @ 3.3V _{DC} Supply
Dynamic Output Supply Current per Channel	$I_{DDO(D)}$		23		μA /Mbps	Inputs switching, 50% duty cycle square wave, CL = 0 pF @ 3.3V _{DC} Supply
Common-Mode Transient Immunity ³	CMTI		75		kV/ μs	$V_{IN} = V_{DDX}^2$ or 0V, $V_{CM} = 1000$ V
Jitter			120		ps p-p	See the Jitter Measurement section
			20		ps rms	See the Jitter Measurement section
ESD (HBM - Human body model)	ESD		± 8		kV	All pins

Notes:

¹ t_{pLH} = low-to-high propagation delay time, t_{pHL} = high-to-low propagation delay time. See figure 16.² V_{DDx} is the side voltage power supply V_{DD} , where x = 1 or 2.³ See Figure19 for Common-mode transient immunity (CMTI) measurement.⁴ Output Signal Terminated 50 Ω .

Table 6. DC Specifications

 $V_{DD1} - V_{GND1} = V_{DD2} - V_{GND2} = 3.3V_{DC} \pm 10\%$ or $5V_{DC} \pm 10\%$, $T_A = 25^\circ C$, unless otherwise noted.

	Symbol	Min	Typ	Max	Unit	Test Conditions/Comments
Rising Input Signal Voltage Threshold	V_{IT+}		$0.6 * V_{DDx}^1$	$0.7 * V_{DDx}^1$	V	

Falling Input Signal Voltage Threshold	V_{IT-}	$0.3 * V_{DDx}^1$	$0.4 * V_{DDx}^1$	V			
High Level Output Voltage	V_{OH}^1	$V_{DDx} - 0.1$	V_{DDx}	V	-20 μA output current		
		$V_{DDx} - 0.2$	$V_{DDx} - 0.1$	V	-2 mA output current		
Low Level Output Voltage	V_{OL}		0	0.1	V	20 μA output current	
				0.1	0.2	V	2 mA output current
Input Current per Signal Channel	I_{IN}	-10	0.5	10	μA	$0\text{V} \leq \text{Signal voltage} \leq V_{DDx}^1$	
V_{DDx}^1 Undervoltage Rising Threshold	V_{DDxUV+}	2.45	2.65	2.9	V		
V_{DDx}^1 Undervoltage Falling Threshold	V_{DDxUV-}	2.3	2.5	2.75	V		
V_{DDx}^1 Hysteresis	V_{DDxUVH}		0.15		V		

Notes:

¹ V_{DDx} is the side voltage power supply V_{DD} , where x = 1 or 2.**Table 7. Quiescent Supply Current** $V_{DD1} - V_{GND1} = V_{DD2} - V_{GND2} = 3.3V_{DC} \pm 10\%$ or $5V_{DC} \pm 10\%$, $T_A = 25^\circ\text{C}$, $C_L = 0\text{ pF}$, unless otherwise noted.

Parameter	Symbol	Min	Typ	Max	Unit	Test Conditions	
$\pi 140\text{Mxx}$ Quiescent Supply Current @ $5V_{DC}$ Supply	$I_{DD1(Q)}$	128	160	208	μA	0V Input signal	
	$I_{DD2(Q)}$	1562	1952	2538	μA	0V Input signal	
	$I_{DD1(Q)}$	315	394	512	μA	5V Input signal	
	$I_{DD2(Q)}$	1477	1846	2400	μA	5V Input signal	
	@ $3.3V_{DC}$ Supply	$I_{DD1(Q)}$	126	158	205	μA	0V Input signal
		$I_{DD2(Q)}$	1544	1930	2509	μA	0V Input signal
		$I_{DD1(Q)}$	232	290	377	μA	3.3V Input signal
		$I_{DD2(Q)}$	1418	1772	2304	μA	3.3V Input signal
$\pi 141\text{Mxx}$ Quiescent Supply Current @ $5V_{DC}$ Supply	$I_{DD1(Q)}$	483	604	785	μA	0V Input signal	
	$I_{DD2(Q)}$	1200	1500	1950	μA	0V Input signal	
	$I_{DD1(Q)}$	594	742	965	μA	5V Input signal	
	$I_{DD2(Q)}$	1174	1468	1908	μA	5V Input signal	
	@ $3.3V_{DC}$ Supply	$I_{DD1(Q)}$	478	597	776	μA	0V Input signal
		$I_{DD2(Q)}$	1186	1483	1928	μA	0V Input signal
		$I_{DD1(Q)}$	524	655	852	μA	3.3V Input signal
		$I_{DD2(Q)}$	1117	1396	1815	μA	3.3V Input signal
$\pi 142\text{Mxx}$ Quiescent Supply Current @ $5V_{DC}$ Supply	$I_{DD1(Q)}$	838	1048	1362	μA	0V Input signal	
	$I_{DD2(Q)}$	838	1048	1362	μA	0V Input signal	
	$I_{DD1(Q)}$	872	1090	1417	μA	5V Input signal	
	$I_{DD2(Q)}$	872	1090	1417	μA	5V Input signal	
	@ $3.3V_{DC}$ Supply	$I_{DD1(Q)}$	829	1036	1347	μA	0V Input signal
		$I_{DD2(Q)}$	829	1036	1347	μA	0V Input signal
		$I_{DD1(Q)}$	816	1020	1326	μA	3.3V Input signal
		$I_{DD2(Q)}$	816	1020	1326	μA	3.3V Input signal

Table 8. Total Supply Current vs. Data Throughput ($C_L = 0\text{ pF}$) $V_{DD1} - V_{GND1} = V_{DD2} - V_{GND2} = 3.3V_{DC} \pm 10\%$ or $5V_{DC} \pm 10\%$, $T_A = 25^\circ\text{C}$, $C_L = 0\text{ pF}$, unless otherwise noted.

Parameter	Symbol	150 Kbps			1 Mbps			10 Mbps			Unit
		Min	Typ	Max	Min	Typ	Max	Min	Typ	Max	
π 140Mxx Supply Current @5V _{DC}	I _{DD1}		0.28	0.42		0.30	0.45		0.48	0.72	mA
			1.90	2.85		2.04	3.06		3.52	5.28	mA
	I _{DD2}		0.22	0.33		0.24	0.36		0.36	0.54	mA
			1.86	2.79		1.94	2.91		2.86	4.29	mA
π 141Mxx Supply Current @5V _{DC}	I _{DD1}		0.68	1.02		0.73	1.10		1.21	1.82	mA
			1.49	2.24		1.60	2.40		2.73	4.10	mA
	I _{DD2}		0.63	0.95		0.66	0.99		0.95	1.43	mA
			1.45	2.18		1.51	2.27		2.20	3.30	mA
π 142Mxx Supply Current @5V _{DC}	I _{DD1}		1.08	1.62		1.16	1.74		1.94	2.91	mA
			1.08	1.62		1.16	1.74		1.94	2.91	mA
	I _{DD2}		1.04	1.56		1.08	1.62		1.54	2.31	mA
			1.04	1.56		1.08	1.62		1.54	2.31	mA

INSULATION AND SAFETY RELATED SPECIFICATIONS

Table 9. Insulation Specifications

Parameter	Symbol	Value		Unit	Test Conditions/Comments
		π 14xM3x	π 14xM6x		
Rated Dielectric Insulation Voltage		3000	6000	V rms	1-minute duration
Minimum External Air Gap (Clearance)	L (CLR)	4	8	mm min	Measured from input terminals to output terminals, shortest distance through air
Minimum External Tracking (Creepage)	L (CRP)	4	8	mm min	Measured from input terminals to output terminals, shortest distance path along body
Minimum Internal Gap (Internal Clearance)		11	21	μ m min	Insulation distance through insulation
Tracking Resistance (Comparative Tracking Index)	CTI	>400	>400	V	DIN IEC 112/VDE 0303 Part 1
Material Group		II	II		Material Group (DIN VDE 0110, 1/89, Table 1)

PACKAGE CHARACTERISTICS

Table 10. Package Characteristics

Parameter	Symbol	Typical Value		Unit	Test Conditions/Comments
		π 14xM3x	π 14xM6x		
Resistance (Input to Output) ¹	R _{I-O}	10 ¹¹	10 ¹¹	Ω	
Capacitance (Input to Output) ¹	C _{I-O}	0.6	0.6	pF	@1MHz
Input Capacitance ²	C _I	3	3	pF	@1MHz
IC Junction to Ambient Thermal Resistance	θ_{JA}	100	45	$^{\circ}$ C/W	Thermocouple located at center of package underside

Notes:

¹The device is considered a 2-terminal device; SOIC-16 Pin 1 - Pin 8 (WSOIC-16 Pin 1-Pin8 and SSOP16 Pin 1-Pin8) are shorted together as the one terminal, and SOIC-16 Pin 9- Pin 16 (WSOIC-16 Pin 9-Pin16 and SSOP16 Pin 9-Pin16) are shorted together as the other terminal.

²Testing from the input signal pin to ground.

REGULATORY INFORMATION

See Table 11 and the Insulation Lifetime section for details regarding recommended maximum working voltages for specific cross isolation waveforms and insulation levels.

Table 11. Regulatory

Regulatory	π 14xM3x	π 14xM6x
UL	Recognized under UL 1577 Component Recognition Program ¹ Single Protection, 3000 V rms Isolation Voltage File (E494497)	Recognized under UL 1577 Component Recognition Program ¹ Single Protection, 6000 V rms Isolation Voltage File (pending)
CSA	Approved under CSA Component Acceptance Notice 5A CSA 60950-1-07+A1+A2 and IEC 60950-1, second edition, +A1+A2: Basic insulation at 500Vrms (707Vpeak) Reinforced insulation at 250 V rms (353 V peak) File (pending)	Approved under CSA Component Acceptance Notice 5A CSA 60950-1-07+A1+A2 and IEC 60950-1, second edition, +A1+A2: Basic insulation at 845Vrms (1200Vpeak) Reinforced insulation at 422V rms (600V peak) File (pending)
VDE	DIN V VDE V 0884-10 (VDE V 0884-10):2006-12 ² Basic insulation, $V_{IORM} = 707$ V peak, $V_{IOSM} = 4615$ V peak File (40047929)	DIN V VDE V 0884-10 (VDE V 0884-10):2006-12 ² Basic insulation, $V_{IORM} = 1200$ Vpeak, $V_{IOSM} = 7000$ V peak Reinforced insulation, $V_{IORM} = 600$ V peak File (pending)
CQC	Certified under CQC11-471543-2012 GB4943.1-2011 Basic insulation at 500 V rms (707 V peak) working voltage Reinforced insulation at 250 V rms (353 V peak) File (pending)	Certified under CQC11-471543-2012 GB4943.1-2011 Basic insulation at 845V rms (1200V peak) working voltage Reinforced insulation at 422V rms (600V peak) File (pending)

Notes:

¹ In accordance with UL 1577, each π 140M3x/ π 141M3x/ π 142M3x is proof tested by applying an insulation test voltage ≥ 3600 V rms for 1 sec; each π 140M6x/ π 141M6x/ π 142M6x is proof tested by applying an insulation test voltage ≥ 7200 V rms for 1 sec

² In accordance with DIN V VDE V 0884-10, each π 140M3x/ π 141M3x/ π 142M3x is proof tested by applying an insulation test voltage ≥ 1326 V peak for 1 sec (partial discharge detection limit = 5 pC); each π 140M6x/ π 141M6x/ π 142M6x is proof tested by ≥ 2250 V peak for 1 sec. The marking branded on the component designates DIN V VDE V 0884-10 approval.

DIN V VDE V 0884-10 (VDE V 0884-10) INSULATION CHARACTERISTICS

These isolators are suitable for reinforced electrical isolation only within the safety limit data. Protective circuits ensure the maintenance of the safety data. The marking on packages denotes DIN V VDE V 0884-10 approval.

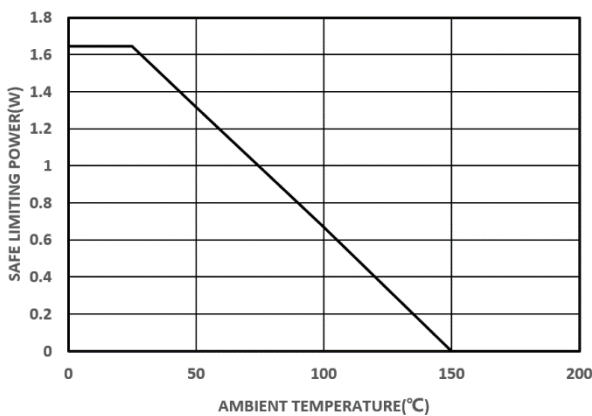
Table 12. VDE Insulation Characteristics

Description	Test Conditions/Comments	Symbol	Characteristic		Unit
			π 14xM3x	π 14xM6x	
Installation Classification per DIN VDE 0110					
For Rated Mains Voltage ≤ 150 V rms			I to IV	I to IV	
For Rated Mains Voltage ≤ 300 V rms			I to III	I to III	
For Rated Mains Voltage ≤ 400 V rms			I to III	I to III	
Climatic Classification			40/105/21	40/105/21	
Pollution Degree per DIN VDE 0110, Table 1			2	2	
Maximum Working Insulation Voltage		V_{IORM}	707	1200	V peak

Input to Output Test Voltage, Method B1	$V_{IORM} \times 1.875 = V_{pd(m)}$, 100% production test, $t_{ini} = t_m = 1$ sec, partial discharge < 5 pC	$V_{pd(m)}$	1326	2250	V peak
Input to Output Test Voltage, Method A After Environmental Tests Subgroup 1	$V_{IORM} \times 1.5 = V_{pd(m)}$, $t_{ini} = 60$ sec, $t_m = 10$ sec, partial discharge < 5 pC	$V_{pd(m)}$	1061	1800	V peak
After Input and/or Safety Test Subgroup 2 and Subgroup 3	$V_{IORM} \times 1.2 = V_{pd(m)}$, $t_{ini} = 60$ sec, $t_m = 10$ sec, partial discharge < 5 pC		849	1440	V peak
Highest Allowable Overvoltage		V_{IOTM}	4200	8500	V peak
Surge Isolation Voltage Basic	Basic insulation, 1.2 μ s rise time, 50 μ s, 50% fall time	V_{IOSM}	4615	7000	V peak
Surge Isolation Voltage Reinforced	Reinforced insulation, 1.2 μ s rise time, 50 μ s, 50% fall time	V_{IOSM}			V peak
Safety Limiting Values	Maximum value allowed in the event of a failure (see Figure 6)				
Maximum Junction Temperature		T_S	150	150	$^{\circ}$ C
Total Power Dissipation at 25 $^{\circ}$ C		P_S	1.56	2.78	W
Insulation Resistance at T_S	$V_{IO} = 800$ V	R_S	>10 9	>10 9	Ω

π 14xM3x

π 14xM6x



2

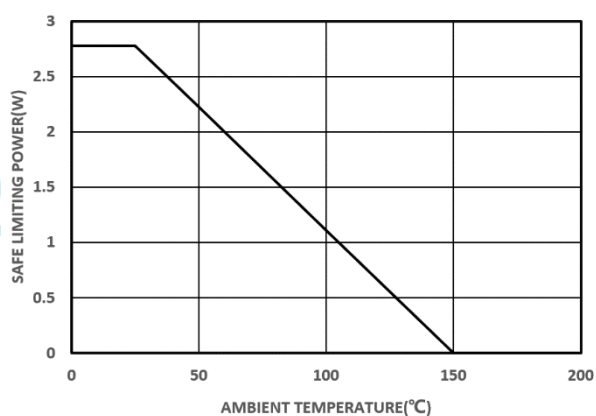


Figure6. Thermal Derating Curve, Dependence of Safety Limiting Values with Ambient Temperature per VDE

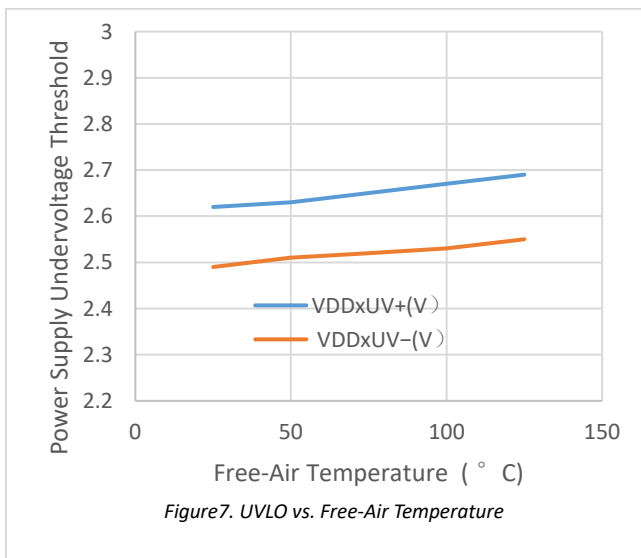


Figure7. UVLO vs. Free-Air Temperature

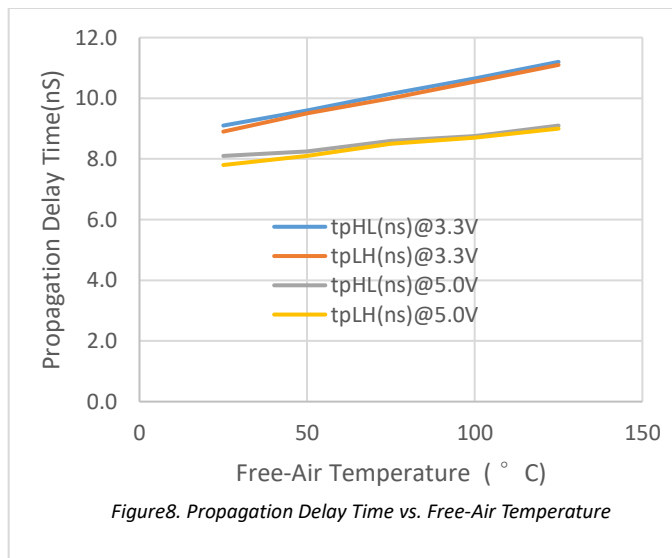


Figure8. Propagation Delay Time vs. Free-Air Temperature

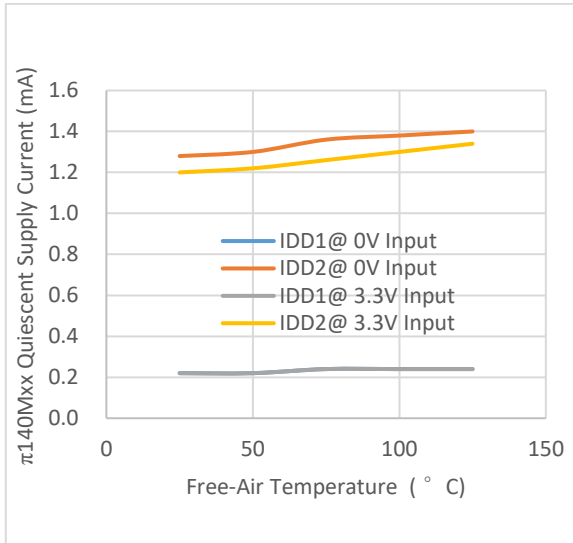


Figure9 π 140Mxx Quiescent Supply Current with 3.3V Supply vs.Free-Air Temperature

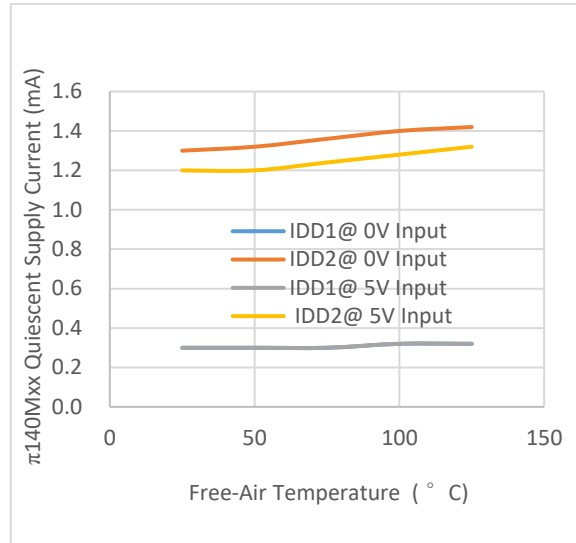


Figure10 π 140Mxx Quiescent Supply Current with 5V Supply vs. Free-Air Temperature

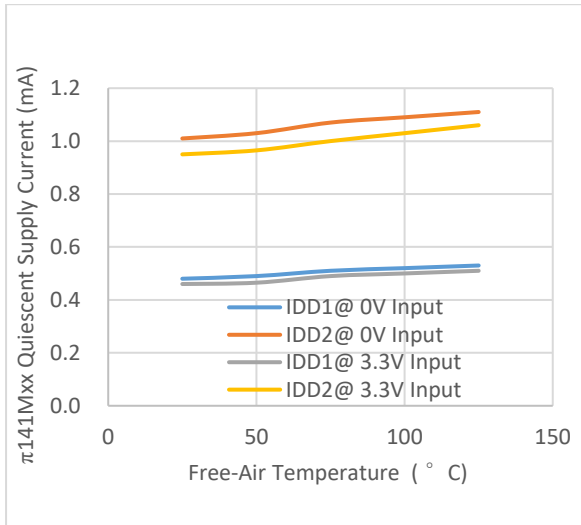


Figure 11 π 141Mxx Quiescent Supply Current with 3.3V Supply vs.Free-Air Temperature

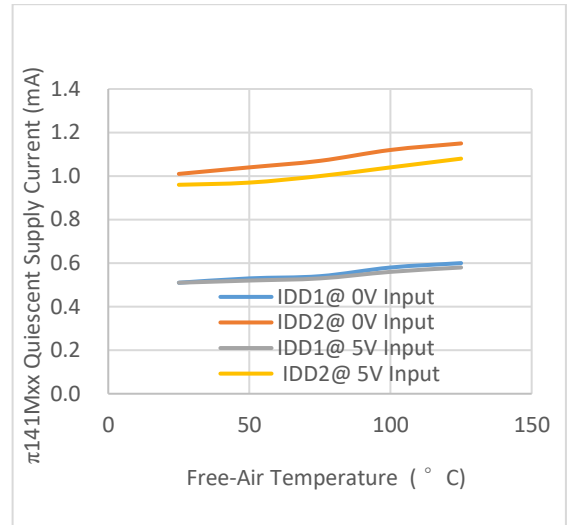


Figure 12 π 141Mxx Quiescent Supply Current with 5V Supply vs. Free-Air Temperature

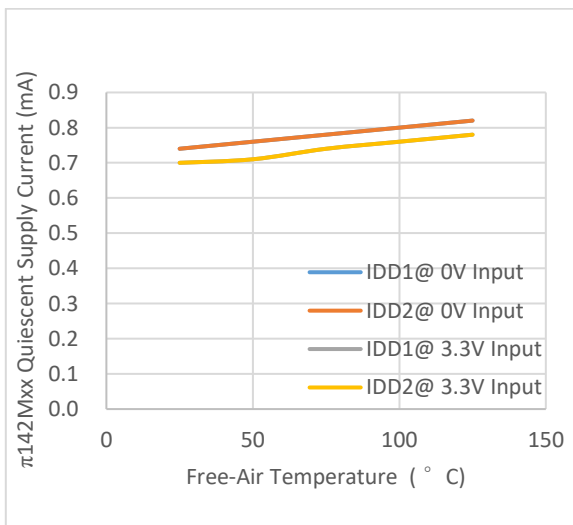


Figure 13 π 142Mxx Quiescent Supply Current with 3.3V Supply vs.Free-Air Temperature

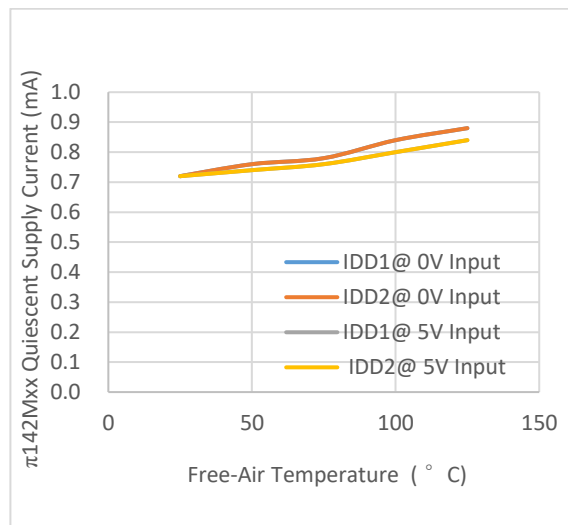


Figure 14 π 142Mxx Quiescent Supply Current with 5V Supply vs. Free-Air Temperature

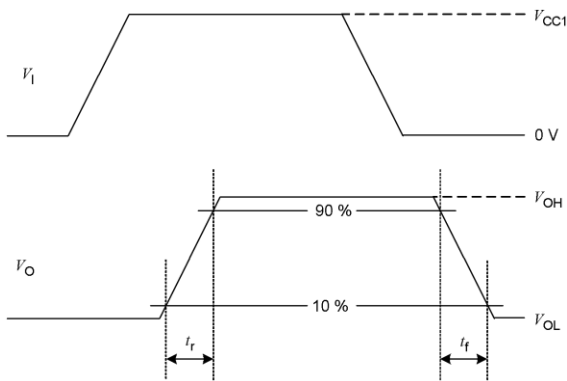


Figure15. Transition time waveform measurement

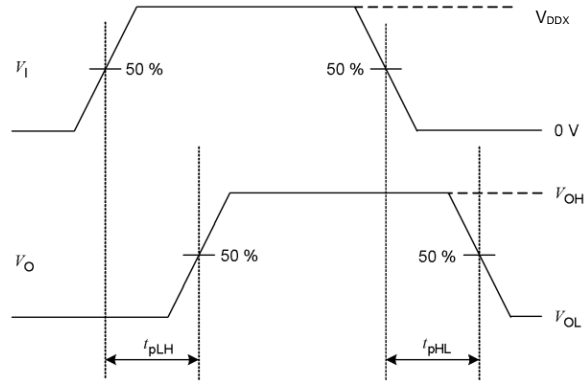


Figure16. Propagation delay time waveform measurement



APPLICATIONS INFORMATION

OVERVIEW

The π 1xxxx are 2PaiSemi digital isolators product family based on 2PaiSEMI unique **iDivider** technology. Intelligent voltage **Divider** technology (**iDivider** technology) is a new generation digital isolator technology invented by 2PaiSEMI. It uses the principle of capacitor voltage divider to transmit signal directly cross the isolator capacitor without signal modulation and demodulation. Compare to the traditional Opto-couple technology, icoupler technology, OOK technology, **iDivider** is a more essential and concise isolation signal transmit technology which leads to greatly simplification on circuit design and therefore significantly improves device performance, such as lower power consumption, faster speed, enhanced anti-interference ability, lower noise.

By using matured standard semiconductor CMOS technology and the innovative **iDivider** design, these isolation components provide outstanding performance characteristics and reliability superior to alternatives such as optocoupler devices and other integrated isolators. The π 1xxxx isolator data channels are independent and are available in a variety of configurations with a withstand voltage rating of 1.5 kV rms to 6.0 kV rms and the data rate from DC up to 600Mbps (see the Ordering Guide).

The π 140Mxx/ π 141Mxx/ π 142Mxx are the outstanding 10Mbps quad-channel digital isolators with the enhanced ESD capability. the devices transmit data across an isolation barrier by layers of silicon dioxide isolation.

The devices operate with the supply voltage on either side ranging from 3.0 V to 5.5 V, offering voltage translation of 3.3 V, and 5 V logic.

The π 140Mxx/ π 141Mxx/ π 142Mxx have very low propagation delay and high speed. The input/output design techniques allow logic and supply voltages over a wide range from 3.0 V to 5.5 V, offering voltage translation of 3.3 V and 5 V logic. The architecture is designed for high common-mode transient immunity and high immunity to electrical noise and magnetic interference.

See the Ordering Guide for the model numbers that have the fail-safe output state of low or high.

PCB LAYOUT

The low-ESR ceramic bypass capacitors must be connected between V_{DD1} and GND_1 and between V_{DD2} and GND_2 . The bypass capacitors are placed on the PCB as close to the isolator device as possible. The recommended bypass capacitor value is between 0.1 μ F and 10 μ F. To enhance the robustness of a design,

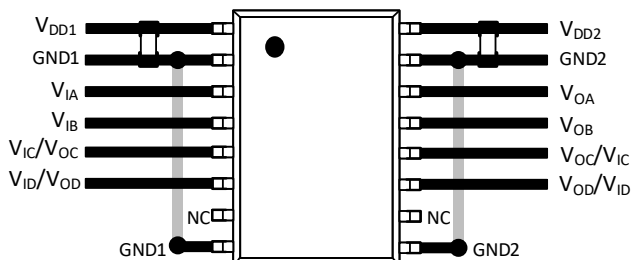


Figure17.Recommended Printed Circuit Board Layout

the user may also include resistors (50–300 Ω) in series with the inputs and outputs if the system is excessively noisy.

Avoid reducing the isolation capability, Keep the space underneath the isolator device free from metal such as planes, pads, traces and vias.

To minimize the impedance of the signal return loop, keep the solid ground plane directly underneath the high-speed signal path, the closer the better. The return path will couple between the nearest ground plane to the signal path. Keep suitable trace width for controlled impedance transmission lines interconnect.

To reduce the rise time degradation, keep the length of input/output signal traces as short as possible, and route low inductance loop for the signal path and It's return path.

JITTER MEASUREMENT

The eye diagram shown in the figure18 provides the jitter measurement result for the π 140Mxx/ π 141Mxx/ π 142Mxx. The Keysight 81160A pulse function arbitrary generator works as the data source for the π 140Mxx/ π 141Mxx/ π 142Mxx, which generates 100Mbps pseudo random bit sequence (PRBS). The Keysight DSOS104A digital storage oscilloscope captures the π 140Mxx/ π 141Mxx/ π 142Mxx output waveform and recovers the eye diagram with the SDA tools and eye diagram analysis tools. The result shows a typical measurement 120ps p-p jitter.

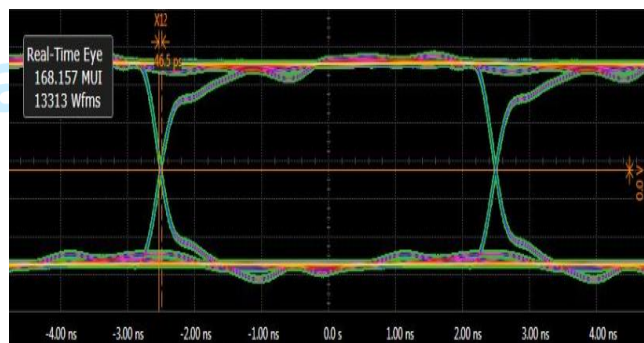


Figure18. π 140Mxx/ π 141Mxx/ π 142Mxx Eye Diagram

CMTI MEASUREMENT

To measure the Common-Mode Transient Immunity (CMTI) of π 1xxxx isolator under specified common-mode pulse magnitude (V_{CM}) and specified slew rate of the common-mode pulse (dV_{CM}/dt) and other specified test or ambient conditions, The common-mode pulse generator (G_1) will be capable of providing

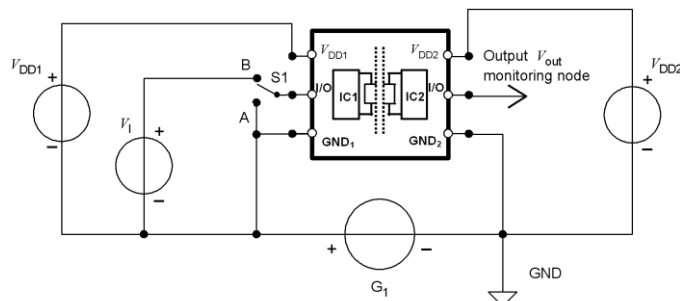


Figure19. Common-mode transient immunity (CMTI) measurement

fast rising and falling pulses of specified magnitude and duration of the common-mode pulse (V_{CM}) and the maximum common-mode slew rates (dV_{CM}/dt) can be applied to π 1xxxxx isolator coupler under measurement. The common-mode pulse is applied

between one side ground GND1 and the other side ground GND2 of π 1xxxxx isolator and shall be capable of providing positive transients as well as negative transients.

OUTLINE DIMENSIONS

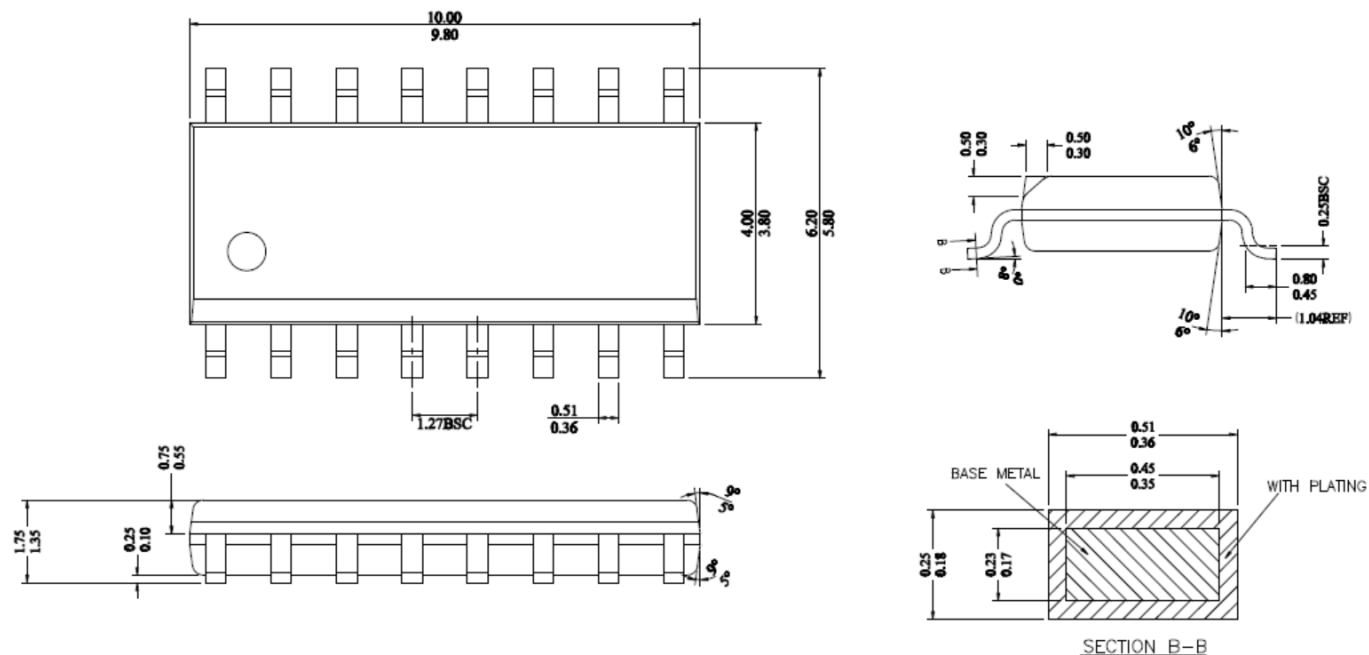


Figure 20. 16-Lead Standard Small Outline Package [16-Lead SOIC_N]

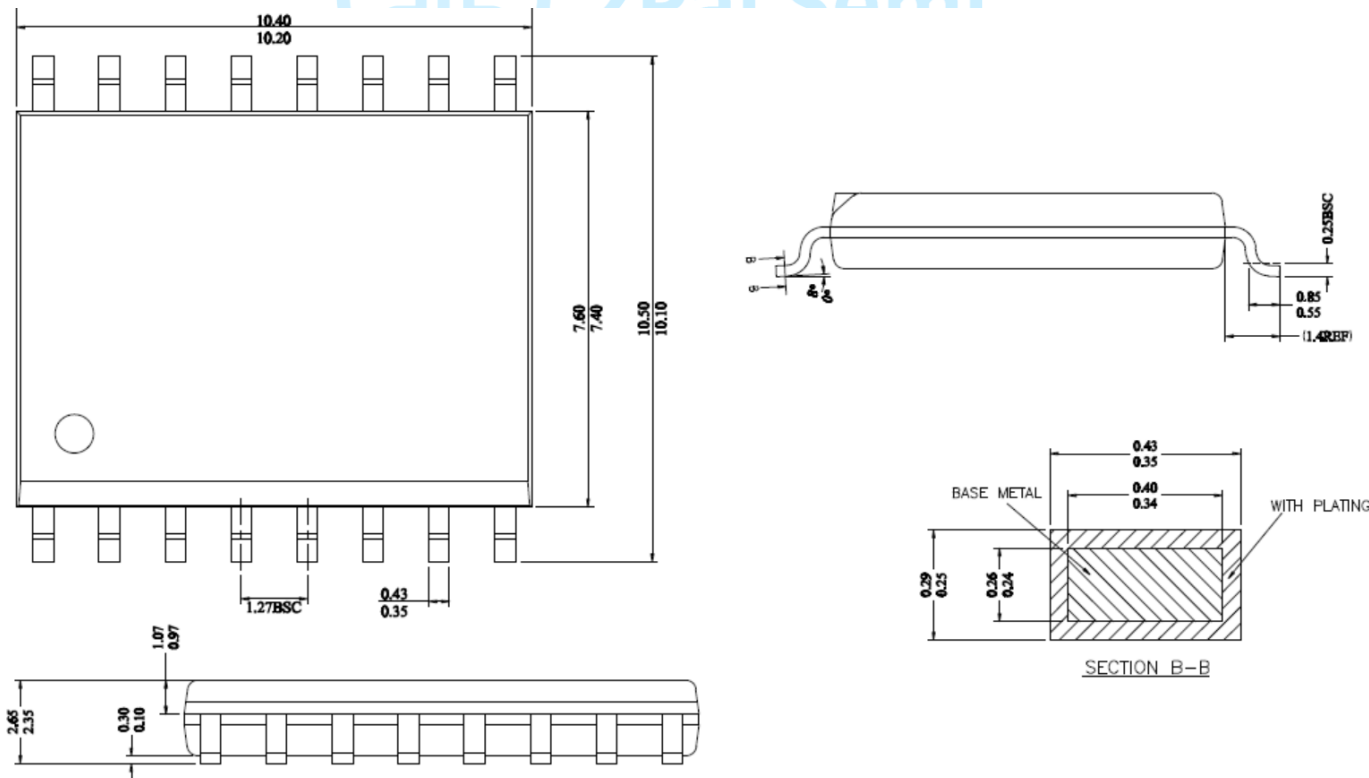
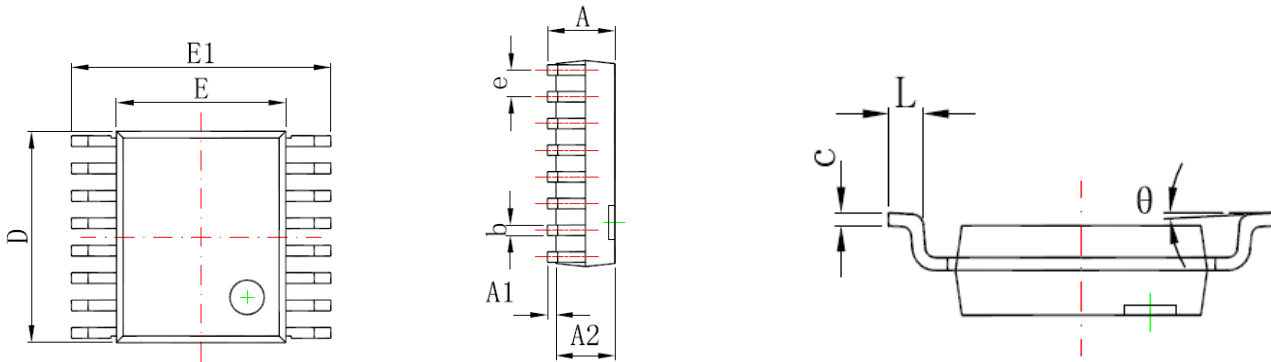


Figure 21. 16-Lead Wide Body Outline Package [16-Lead SOIC_W]

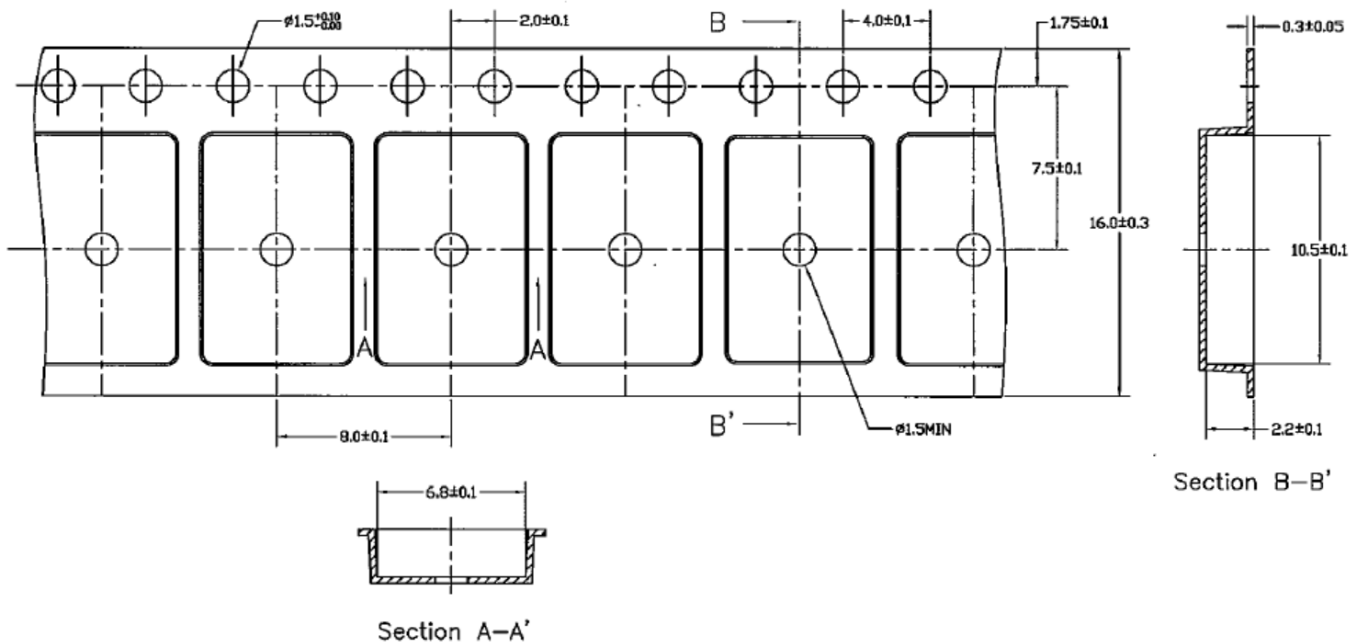


Symbol	Dimensions In Millimeters		Dimensions In Inches	
	Min	Max	Min	Max
A	1.350	1.750	0.053	0.069
A1	0.100	0.250	0.004	0.010
A2	1.350	1.550	0.053	0.061
b	0.200	0.300	0.008	0.012
c	0.170	0.250	0.007	0.010
D	4.700	5.100	0.185	0.200
E	3.800	4.000	0.150	0.157
E1	5.800	6.200	0.228	0.244
e	0.635 (BSC)		0.025 (BSC)	
L	0.400	1.270	0.016	0.050
θ	0°	8°	0°	8°

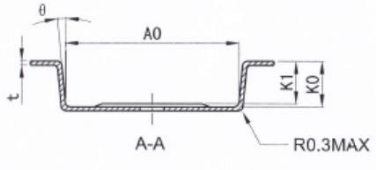
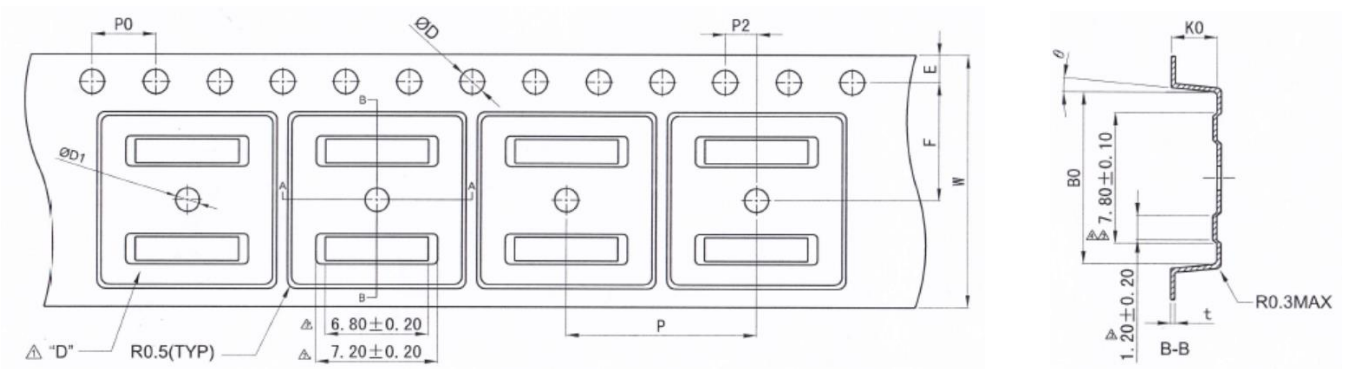
Figure 22. 16-Lead SSOP Outline Package [SSOP16]

REEL INFORMATION

16-Lead SOIC_N



16-Lead SOIC_W

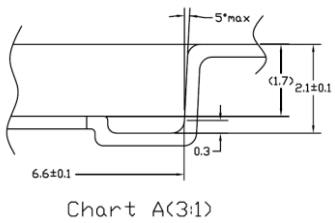
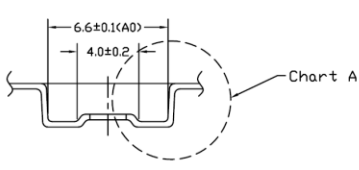
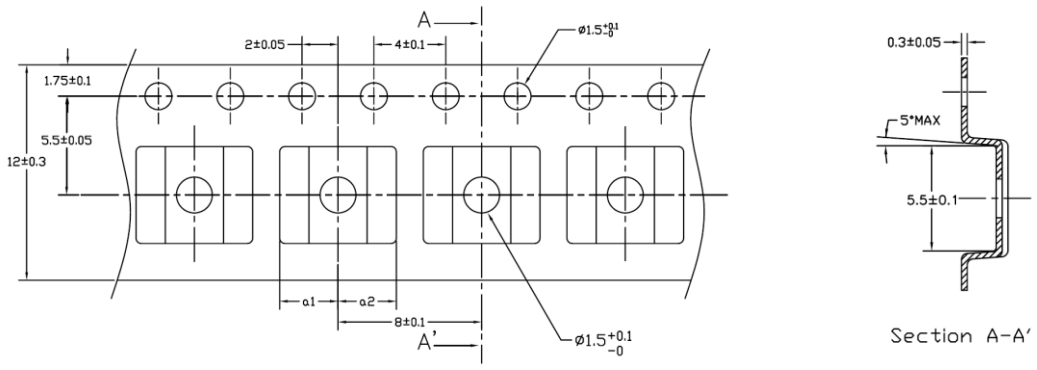


Items	Size(mm)
E	1.75 ± 0.10
F	7.50 ± 0.05
P2	2.00 ± 0.05
D	1.55 ± 0.05
D1	1.5 ± 0.10
P0	4.00 ± 0.10
10P0	40.00 ± 0.20

Items	Size(mm)
W	16.00 ± 0.30
P	12.00 ± 0.10
A0	10.90 ± 0.10
B0	10.80 ± 0.10
K0	3.00 ± 0.10
t	0.30 ± 0.05
K1	2.70 ± 0.10
θ	5° TYP



16-Lead SSOP



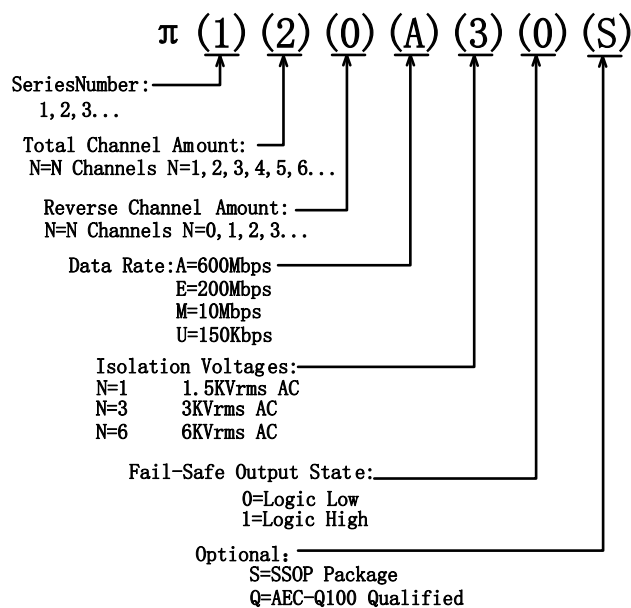
ORDERING GUIDE

Model Name		Temperature Range	No. of Input s, V _{DD1} Side	No. of Inputs , V _{DD2} Side	Withstan d Voltage Rating (kV rms)	Fail-Safe Output State	Package Description	Package Option	Quantity
π 140M31	Pai140M31	-40°C to +125°C	4	0	3	High	16-Lead SOIC_N	S-16-N	2500 per reel
π 140M30	Pai140M30	-40°C to +125°C	4	0	3	Low	16-Lead SOIC_N	S-16-N	2500 per reel
π 141M31	Pai141M31	-40°C to +125°C	3	1	3	High	16-Lead SOIC_N	S-16-N	2500 per reel
π 141M30	Pai141M30	-40°C to +125°C	3	1	3	Low	16-Lead SOIC_N	S-16-N	2500 per reel
π 142M31	Pai142M31	-40°C to +125°C	2	2	3	High	16-Lead SOIC_N	S-16-N	2500 per reel
π 142M30	Pai142M30	-40°C to +125°C	2	2	3	Low	16-Lead SOIC_N	S-16-N	2500 per reel
π 140M61	Pai140M61	-40°C to +125°C	4	0	6	High	16-Lead SOIC_W	S-16-W	1500 per reel
π 140M60	Pai140M60	-40°C to +125°C	4	0	6	Low	16-Lead SOIC_W	S-16-W	1500 per reel
π 141M61	Pai141M61	-40°C to +125°C	3	1	6	High	16-Lead SOIC_W	S-16-W	1500 per reel
π 141M60	Pai141M60	-40°C to +125°C	3	1	6	Low	16-Lead SOIC_W	S-16-W	1500 per reel
π 142M61	Pai142M61	-40°C to +125°C	2	2	6	High	16-Lead SOIC_W	S-16-W	1500 per reel
π 142M60	Pai142M60	-40°C to +125°C	2	2	6	Low	16-Lead SOIC_W	S-16-W	1500 per reel
π 140M31S	Pai140M31S	-40°C to +125°C	4	0	3	High	16-Lead SSOP	SSOP16	4000 per reel
π 140M30S	Pai140M30S	-40°C to +125°C	4	0	3	Low	16-Lead SSOP	SSOP16	4000 per reel
π 141M31S	Pai141M31S	-40°C to +125°C	3	1	3	High	16-Lead SSOP	SSOP16	4000 per reel
π 141M30S	Pai141M30S	-40°C to +125°C	3	1	3	Low	16-Lead SSOP	SSOP16	4000 per reel
π 142M31S	Pai142M31S	-40°C to +125°C	2	2	3	High	16-Lead SSOP	SSOP16	4000 per reel
π 142M30S	Pai142M30S	-40°C to +125°C	2	2	3	Low	16-Lead SSOP	SSOP16	4000 per reel

Notes:

¹ π 14xxxxQ special for Auto, qualified for AEC-Q100

PART NUMBER NAMED RULE



Notes:

Pai14xxxx is equals to π 14xxxx in the customer BOM

REVISION HISTORY

Revision	Updated	Date	Page	Change Record
1	Victory	2018/09/20	All	Initial version
2	Victory	2018/11/28	P1,P11	Changed C_{IN} , C_{OUT} in Figure2 from 0.1uF to 1uF. Changed the recommended bypass capacitor value from between 0.1 μ F and 1 μ F to between 0.1 μ F and 10 μ F.
3	Devin	2019/09/08	P1,P7,P11 ,P13,P14, P15	P1: Changed the address from 'Room 19307, Building 8, No.498, GuoShouJing Road' to 'Room 308-309, No.22, Boxia Road'; Changed '(W)SOIC package' to 'SOIC_N, SOIC_W and SSOP package'; Add iDivider technology description in General Description. Changed propagation delay for 5V from 7.5ns to 8ns. Changed CMTI from 50KV/us to 75KV/us. Changed C_{IN} , C_{OUT} in Figure2 from 1uF to 0.1uF. P7: Add 'and SSOP16 Pin 1-Pin8' and 'and SSOP16 Pin 9-Pin16' in note 1. P11: Add iDivider technology description in overview. P13: Add Figure22. 16-Lead SSOP Outline Package drawing P14: Add 16-Lead SSOP Reel drawing; Updated 16-Lead SOIC_W reel drawing. P15: Add character 'S' and 'Q' in part number named rule; Changed the SOIC_W quantity from '1000 per reel' to '1500 per reel'; Add ' π 140M31S、 π 140M30S、 π 141M31S、 π 141M30S、 π 142M31S、 π 142M30S' in ordering guide

