

REVISION RECORD				
REV	ECN	DESCRIPTION	DRFT	DATE

NOTES1:

UL Standard

- 1. Rated voltage/current : 600V / 20A
- 2. Wire range : 28~12AWG

VDE Standard

- 1. Rated voltage/current : 450V / 24A
- 2. Wire range : 0.2~2.5mm²

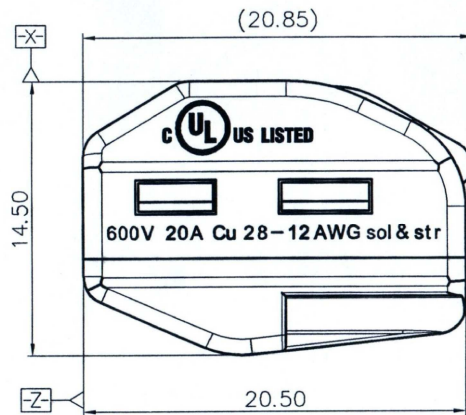
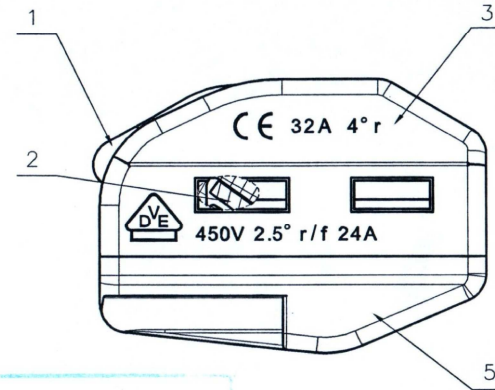
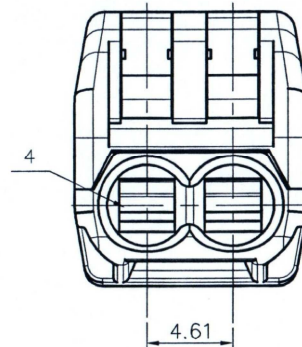
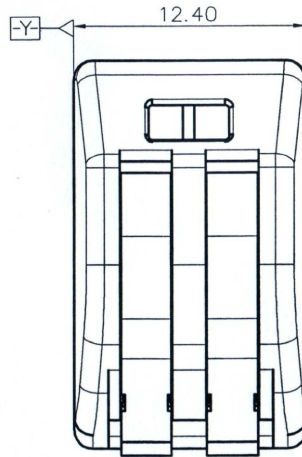
IEC Standard

- 1. Rated voltage/current : 450V / 32A
- 2. Wire range : 0.2~2.5mm²(str)
0.2~4.0mm²(sol)

DG223 - 4.61 - 02P - 1Y - 00A (H)

(Series No.) (Pitch) (Poles) (Single Pitch) (Color):

- 1. (Grey)
- 2. (Blue)
- 3. (Black)
- 4. (Green)
- 5. (Orange)
- 6. (Red)
- 7. (Transparent)
- 8. (Yellow)
- 9. (White)



仅供参考
 日期:

NOTES2:

- 1. Dimension shall be interpreted per ASME Y14.5-2009
- 2. Pitch : 4.61mm, Poles : N=02P
- 3. Stripping length : 9~10mm
- 4. Withstanding voltage : AC2500V/1Min
- 5. Operating temperature: -40°C~+105°C
- 6. Undimensioned tolerances:

Pitch range in mm		Nominal dimension range in mm					
TO	Over	TO	Over	TO	Over	TO	
6	10	30	60	100	150	0.1/10	
±0.15	±0.20	±0.30	±0.50	±0.70	±1.00	±2.0	

7. RoHS Compliance

ITEM	NAME OF PART	MATERIAL	NOTES
5	Housing	PA66	UL94V-0
4	Spring	Stainless steel	
3	Cover	PA66	UL94V-0
2	Current carrier	Copper alloy	Sn Plated
1	Button	POM	UL94HB

PART NO.: /		宁波高松电子有限公司 NINGBO DEGSON ELECTRICAL CO., LTD	
APPD: <i>Aaron 1/6-17</i> CHKD: <i>Frank 1/6-17</i> DRFT: MEK 07/08/16"	NAME: DG223-4.61-02P-1Y-00A(H) TITLE: CUSTOMER DRAWING DRAWING NO.: DG223-4.61-C01 (MM / INCH) DO NOT SCALE DRAWING		
 THIRD ANGLE PROJECTION	REV: D0-1	SHEET: 1/1	SCALE: 1:1

H
G
F
E
D
C
B
A

H
G
F
E
D
C
B
A