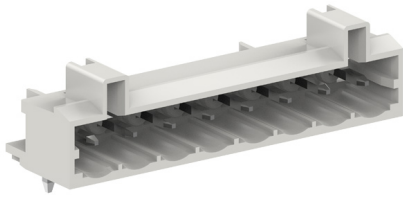


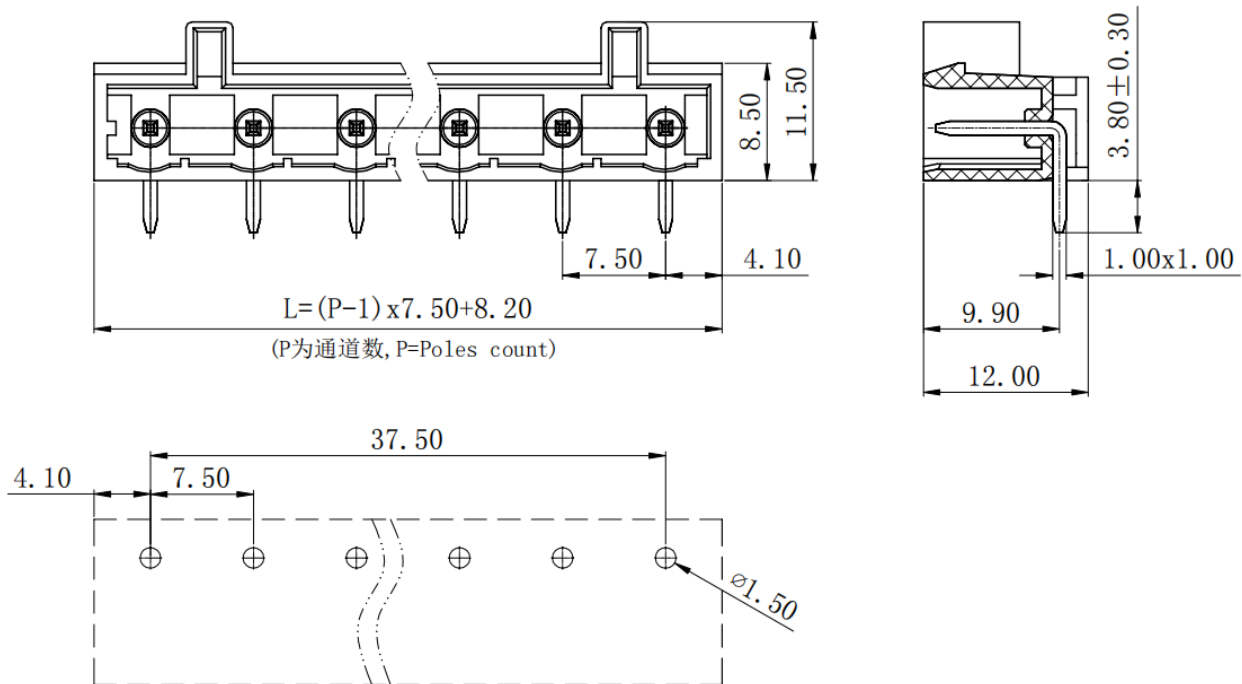
Category: 插拔式端子-插座/Plug-in terminal-plug

Product name: 4758XX

Product Description: 7.5mm , 630V , 16A CE,UL,TUV



### Product Picture



### 基本信息 /Basic Information

产品型号  
SUPU ID 4758XX

产品间距  
Pitch 7.5mm

产品层数  
Number of levels 1

产品位数  
Number of connections 2P-24P

接线方式  
Connection method -

防护等级  
Protection Level IP20

工作温度 Work temperature	-40~+105°C
--------------------------	------------

## IEC数据 /IEC Data

额定电流 Rated Current	16A
额定电压 Rated Voltage	630V
过压类别 Overvoltage category	III III II
污染等级 Pollution degree	3 2 2
额定冲击电压 Rated impulse voltage	6KV 6KV 6KV
额定电压 Rated Voltage	500V 630V 1000V
硬导线截面积 Conductor cross section solid	-
柔性导线截面积 Conductor cross section flexible	-
柔性导线截面积，带绝缘管套 Conductor cross section flexible,with furrule	-
锁线螺钉规格 Locking screw Specification	-
额定扭矩 Rated Torque	-
固定螺钉规格 Fixed Screw Specification	-
额定扭矩 Rated Torque	-
剥线长度 Stripping length	-

## UL数据 /UL Data

使用组别 Use group	B	C	D
额定电流 Rated Current	15A	15A	-
额定电压 Rated Voltage	300V	300V	-

---

额定接线容量  
Rated cross section

---

## 材料信息 /Material Data

---

绝缘材料 Insulation material	PA66
绝缘材料组别 Insulation material group	I
阻燃等级,符合UL94 Flame retardant grade, UL94 compliance	V0
导体材料 Contact material	Copper alloy
导体表面镀层 Surface characteristics	Sn,Plated

---

## 产品认证 /Product Certification

---

认证图标  
Certificate



UL证书号  
UL file No.

VDE证书号  
VDE No.

TUV证书号  
TUV No.

---

Ningbo Supu Electronics Co.,Ltd

Zip code: 315303

Fax: +86 574-63288170

E-mail : askme@supu.cn

Address: No. 625, Kandun Town Street, Cixi  
City, Zhejiang Province

Switchboard: +86 574-63288158

E-mail : askme@supu.cn

Service Hotline: 400-626-6336



Code