

Data sheet

Commercial Art.No.: 46.052.5053.1

Device connector RST16i5 S S1 M03 SW

RST16i5 device connector M20,2, 5 pole, male, screw connection, application 250/400V with PE, 16A, coding color black



Commercial Art.No.	46.052.5053.1
EAN	4049088255885
Order Unit	1

Certificates / Approvals



Technical data

General

Rated current	16 A
Rated voltage	250 V / 400 V
Pollution degree	3
Rated impulse voltage	4 kV
Lockable	self-locking (unlocking by hand)
Color of coding/ contact carrier	black
Marking of poles	1, 2, 3, N, PE
Color of separate adapter (if present)	black

Connection Data

Connection cross section solid mm ² max.	2.5 mm ²
Connection cross section solid mm ² min.	0.25 mm ²
Connection cross section fine stranded mm ² max.	2.5 mm ²
Connection cross section fine stranded mm ² min.	0.25 mm ²
Terminations per pole	1
Wire strip length	8 mm

Model

Model	male
Connection type	screw connection
Connecting thread metric	M20,2
Angle of plug	straight
Degree of protection (IP)	IP66/68 (3m;2h) /IP69
Thickness of housings (electrical device) 2	0.5 mm

Thickness of housings (electrical device)	5 mm
---	------

Material

Housing material	Polyamide
halogen free	yes
Contact material	CuZn
Fire load	0.052 kWh
Insulation components continuous temperature	100 °C
Surface finish	Silver-plated

Dimensions

Length	34.5 mm
Width	24 mm
Height	24 mm

Classification

ECLASS 11	
ECLASS 8.1	27440602
ETIM 7.0	EC002566
ETIM 6.0	EC002566
ETIM 5.0	EC002566
ETIM 4.0	EC002566

Note

Note	RST® terminals with screw clamping allow the connection of conductors without special preparation (without ferrules) according to EN 60999-1.; Positioning realised with flattened thread
------	---

Product compliance

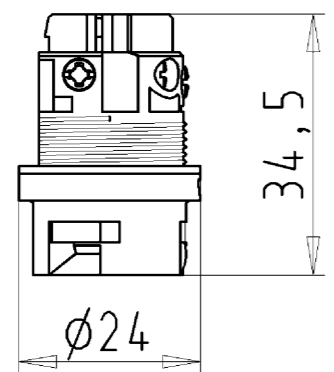
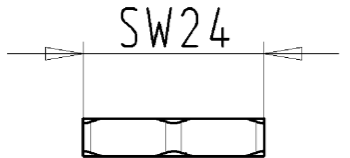
ROHS conformity status	Compliant/Exempted
ROHS exceptions	III-6(c)
REACH-SVHC conformity status	Duty-To-Declare
REACH-SVHC substances	Lead
REACH-SVHC CAS numbers	7439-92-1

Fits with

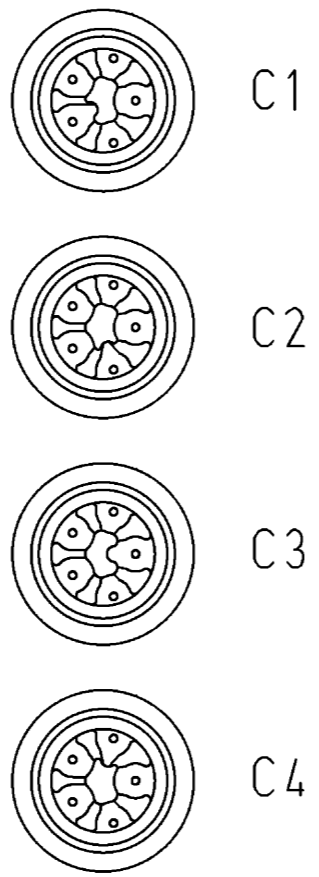
Commercial Art.No.:	Article-type description:	Description:
46.051.4553.1	Connector RST16i5 S B1 ZT6 SW	RST16i5 connector, 5 pole, female, screw connection, application 250/400V with PE, 16A, for cable diameters 7.1-13mm, coding color black, color of housing black
46.051.4153.1	Connector RST16i5 S B1 ZT5 SW	RST16i5 connector, 5 pole, female, screw connection, application 250/400V with PE, 16A, for cable diameters 10-14.5mm, coding color black, color of housing black

These dimensions will be especially checked at delivery
Only inspection dimensions
With /E marked dimensions are only valid for internal use

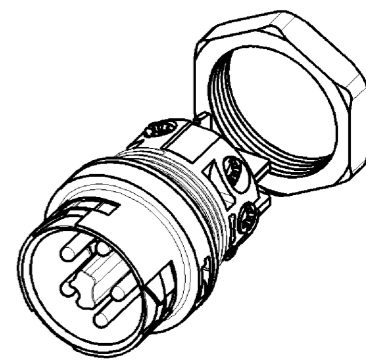
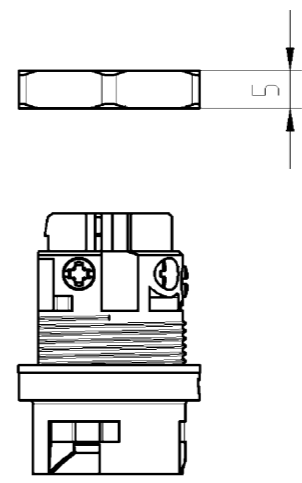
Diese Maße werden bei Abnahme besonders geprüft
Ausschließlich Prüfmaße
Mit /E gekennzeichnete Maße sind nur für interne Zwecke gültig



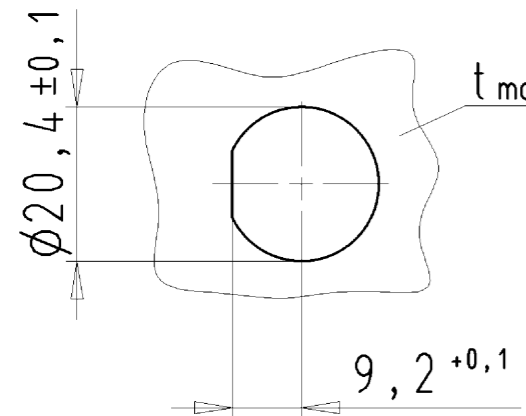
Kodierung /coding



Auslieferungszustand
delivery condition



Weitergabe sowie Vervielfältigung dieses Dokuments, Verwertung und Mitteilung seines Inhalts sind verboten, soweit nicht ausdrücklich gestattet.
The reproduction, distribution and utilization of this document as well as the communication of its contents to others without express authorization is prohibited.



Gehäuseausschnitt / section of housing

46.052.5053.9	RST16 I5S S1 M03 H	BL	C4	lichtblau /light blue
46.052.5050.4	RST16 I5S S1 M03 L	BR	C3	signalbraun /signal brown
46.052.5053.6	RST16 I5S S1 M03 A	TB	C2	türkisblau /turquoise blue
46.052.5053.1	RST16 I5S S1 M03	SW	C1	schwarz /black
46.052.5053.0	RST16 I5S S1 M03	GL	C1	lichtgrau /light grey

Bestellnummer /Order number	Typ /Type	Kodierung /Coding	Farbe /Colour
Weitere Daten siehe KATALOG oder eKatalog. Additional data see CATALOG or eCatalog.		www.wieland-electric.com eshop.wieland-electric.com	

Tolerierung Size ISO 14405 / Tolerance system Size ISO 14405
(This ISO-standard describes the envelope principle. According to the envelope principle the deviations of form and parallelism are limited by the size tolerances).

ja/yes Stoffverbots- und Deklarationsliste nach UU-TQM-05/03 ist einzuhalten.
Conformity with Wieland document UU-TQM-05/03 (list of prohibited / declarable hazardous substances) to be declared!

Freitoleranz nach General tolerance	CAD - Zeichnung, keine manuellen Änderungen CAD - drawing, no manual modifications allowed	1. Verwendung: First Use:	Blatt: 1 von 1 Sheet: of 1
Werkstoff/Material	2014 Tag/Date Name	Zeichnung Nr./Drawing No.	
gezeichnet drawn	13.02. Winkler	T 46.052.5053.0 13K	
geprüft checked	-	Index	
Normgepr. Stand. check	-	Maße in mm/Dimensions are in mm	
Vol. mm ³ Ofl./Surf. mm ²	Ersatz für/Replacement for: -	Type Benennung/Title	
www.wieland-electric.com		RST16... STECKERTEIL Geräteanschluss, 5 polig male connector, device connection, 5 poles	
Index Datum / Blatt Date / Sheet	Änderung/Revision		

460525053013K_2 CADW3028 Tresschan 2014-04-04-011073951 1.000