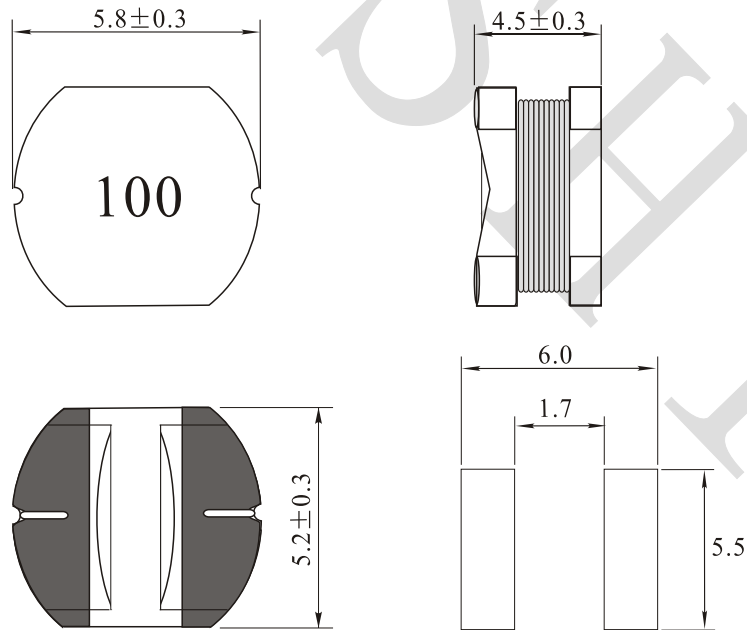
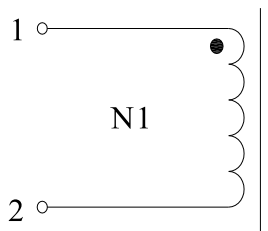


Rev.	Description	Date
A0	New release	2022.12.05

### 1. PHYSICAL CHARACTERISTICS (mm)



### 2. ELECTRONICAL SCHEMATIC



### 3. ELECTRONICAL SPECIFICATIONS

L: 10uH ± 20% @ 100KHz, 0.1V

DCR: 100mΩ Max

Q: 30Ref@2.52MHz

Isat: 2.0A Max (Inductance drop 10% Max)

Irms: 1.45A Max (Temp. rise 40°C Max)

SRF: 23MHz Min

Operating temperature: -40°C to +125°C  
(Including temp. rise 40°C)

Storage temperature: -40°C to +85°C

Test Instrument:

L: HP4284A

RDC: HM2540

Note:

1. Solderability: leads shall meet MIL-STD-202, Method 208D for solderability.
2. Flammability: UL94V-0
3. ASTM oxygen index: >28%

NAME:	Power Inductors		
CUSTOMER P/N:	SDR0604-100ML	DATE:	2022-12-05
SHINHOM P/N:	SDR0504-100M-2.0A	REV: A0	PAGE
DRAWN BY	CHECKED BY	APPROVE BY	



**SHINHOM**  
SHAANXISHINHOM ENTERPRISE CO LTD

The Document property belong to SHINHOM & is not allowed to be duplicated without authorization