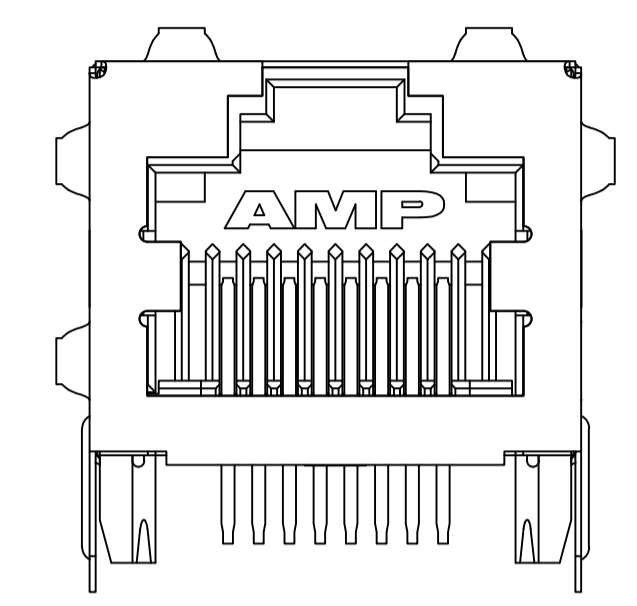
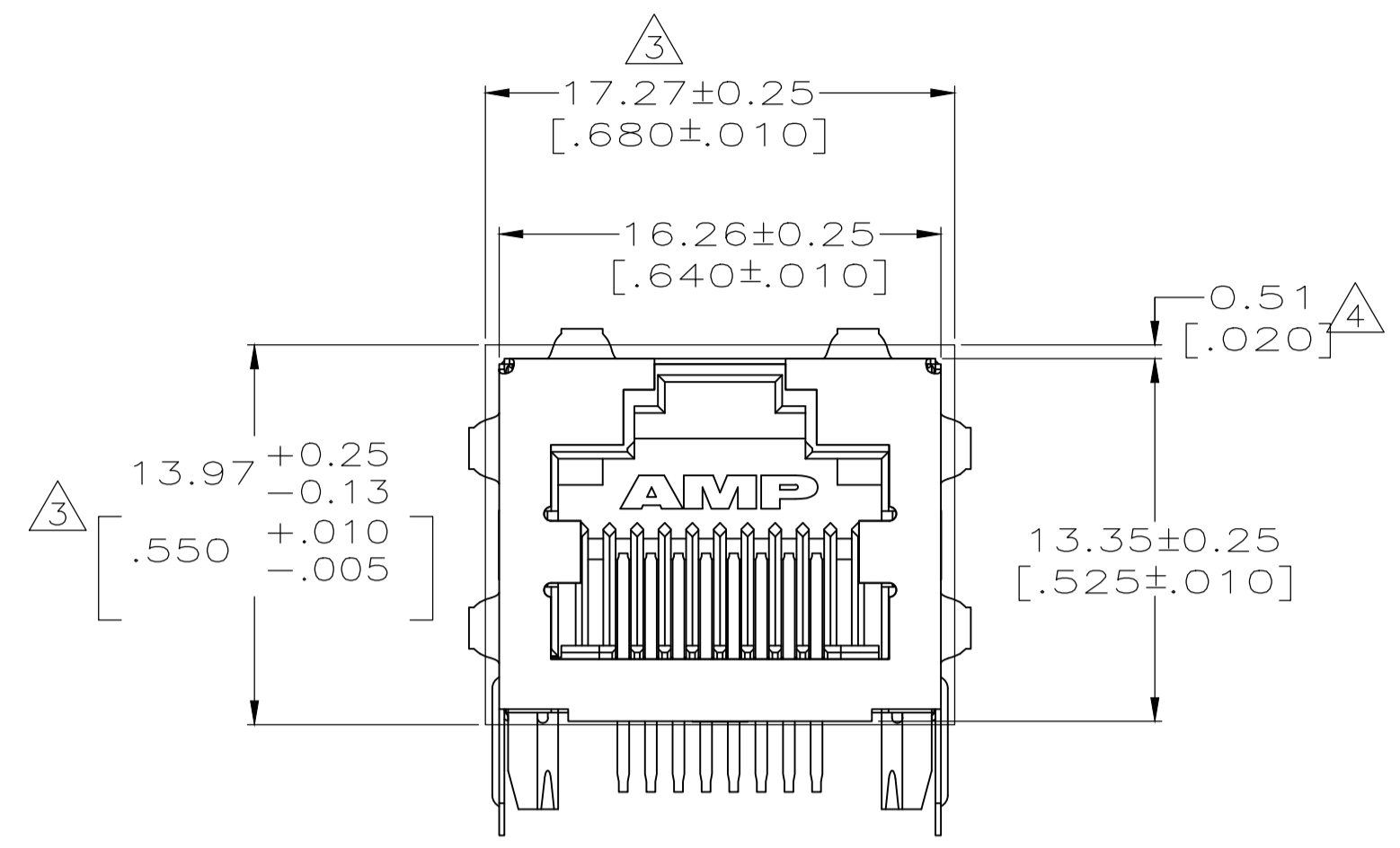
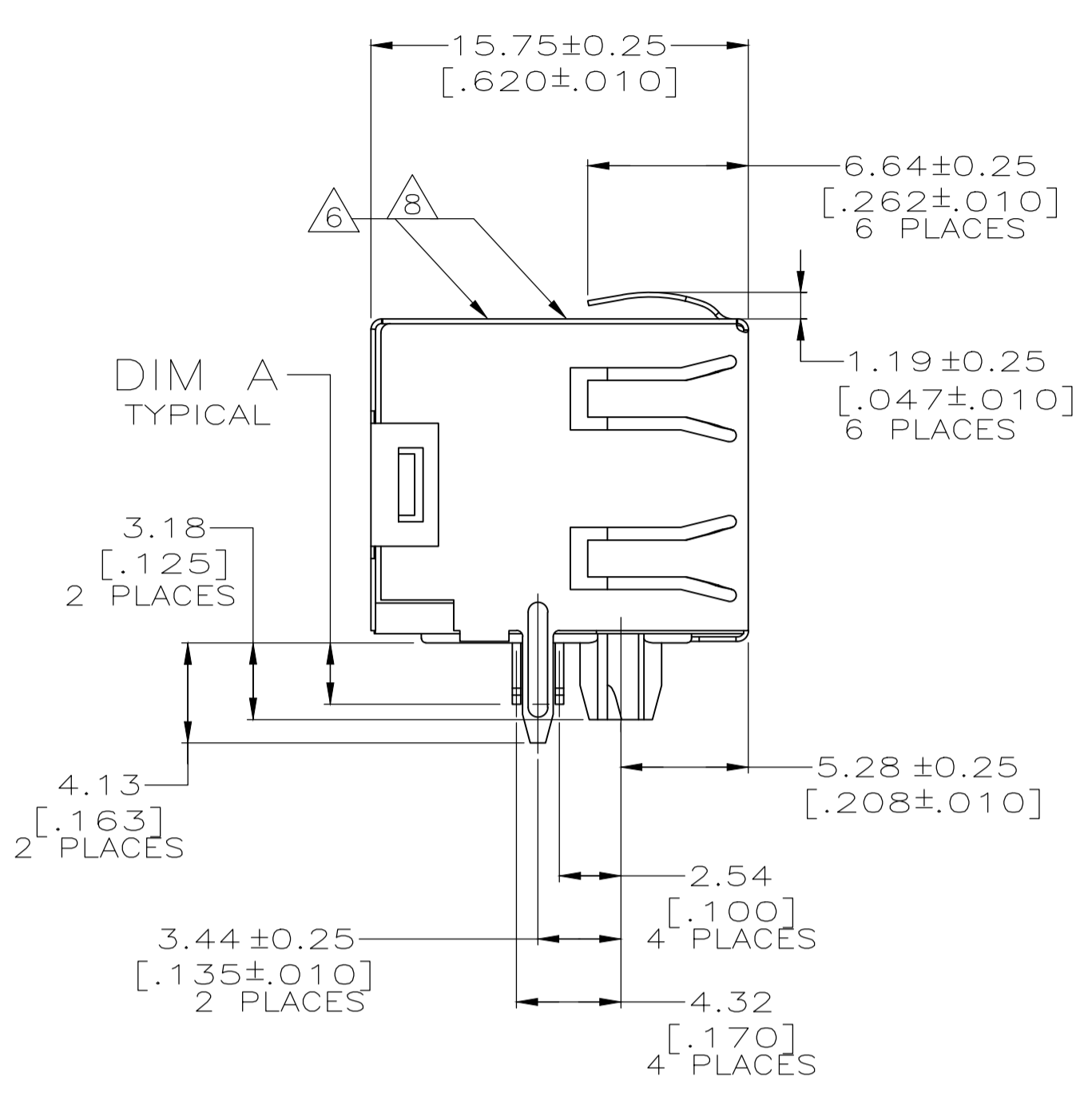
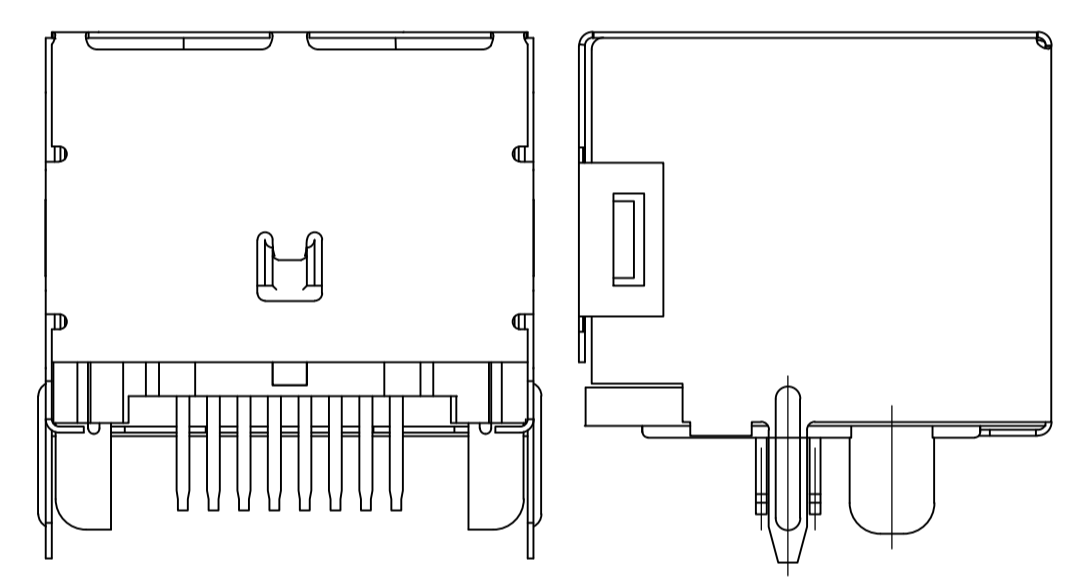


REVISIONS					
P	LTR	DESCRIPTION	DATE	OWN	APVD
T	REVISED PER	ECO-19-019621	28FEB2020	VM	SH

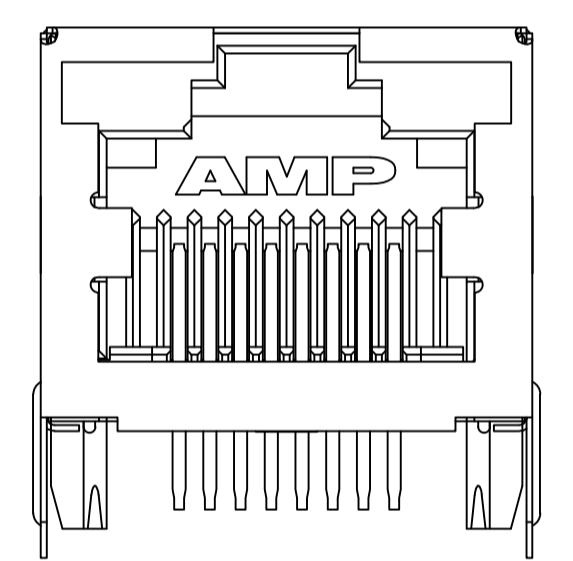


406541-4  
1-406541-4  
WITHOUT LOWER  
RIGHT PANEL GROUND

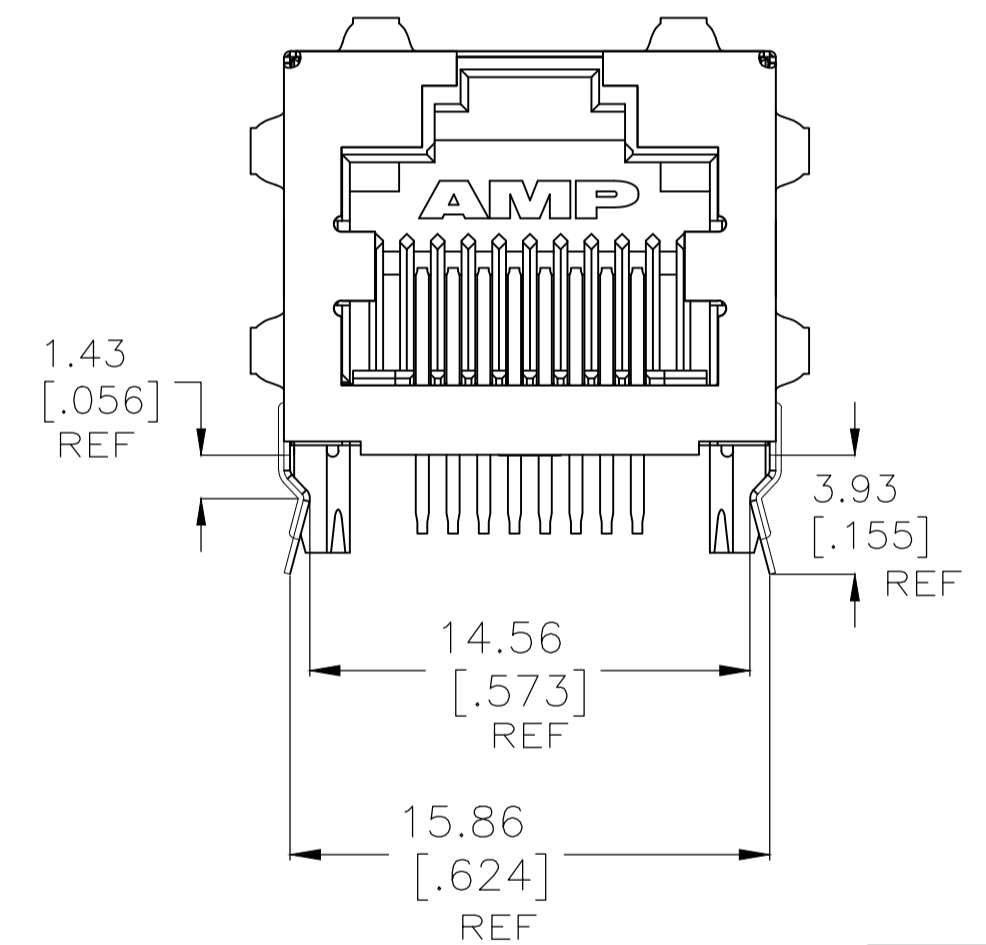
406541-1,-3, & -6  
1-406541-1, 1-3, 1-6 & 1-9&2--6



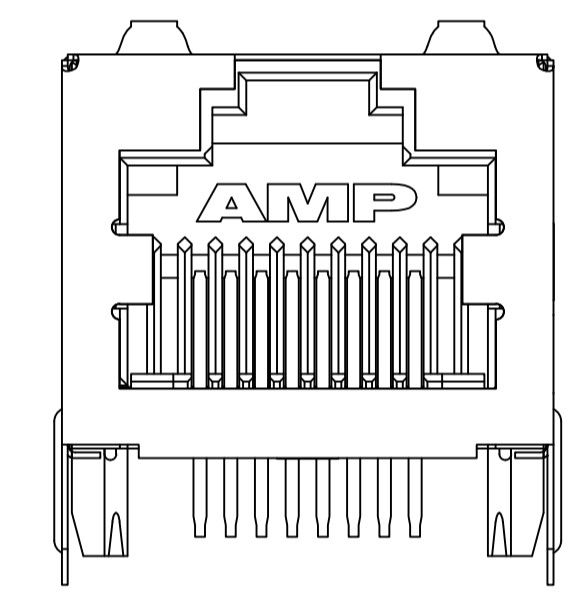
3-406541-0  
NARROW POST TYPE



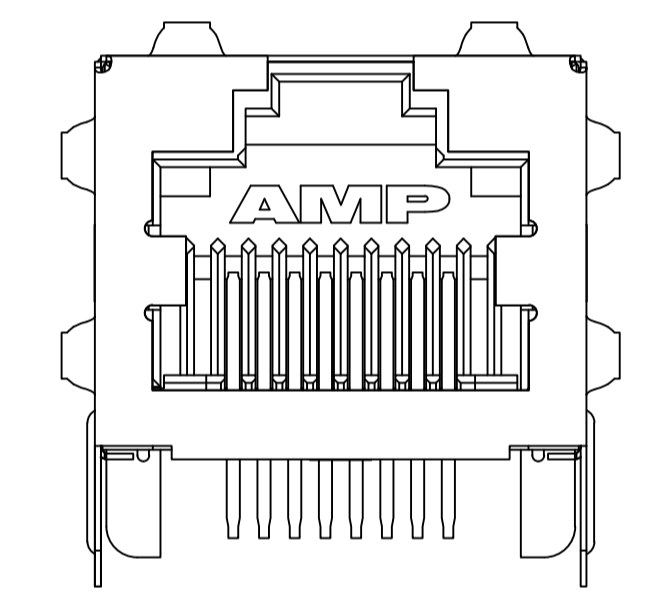
406541-5  
1-406541-5  
1-406541-8  
4-406541-8  
WITHOUT PANEL GROUNDS



1-406541-7, 2-406541-7



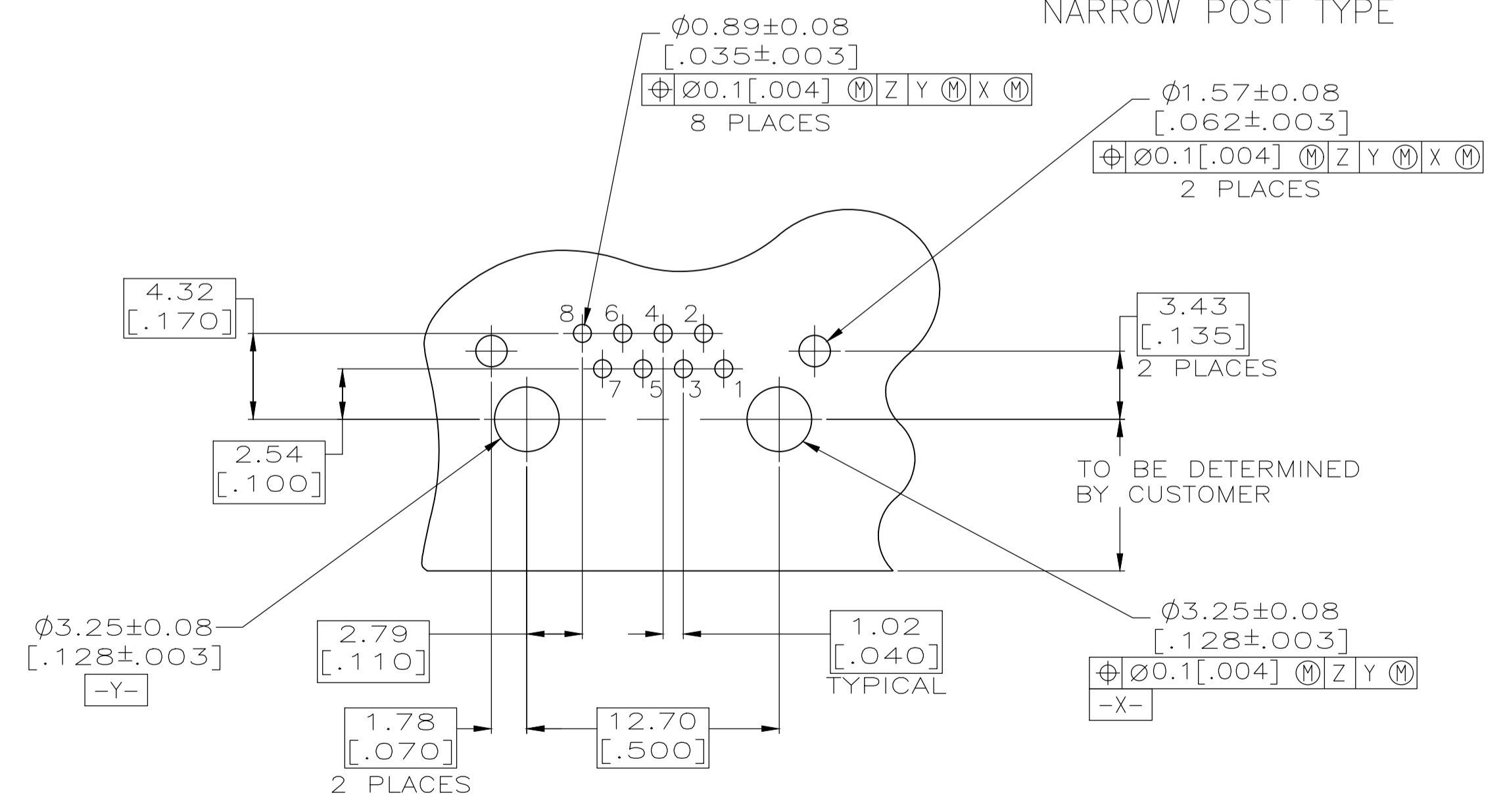
2-406541-1  
2-406541-4



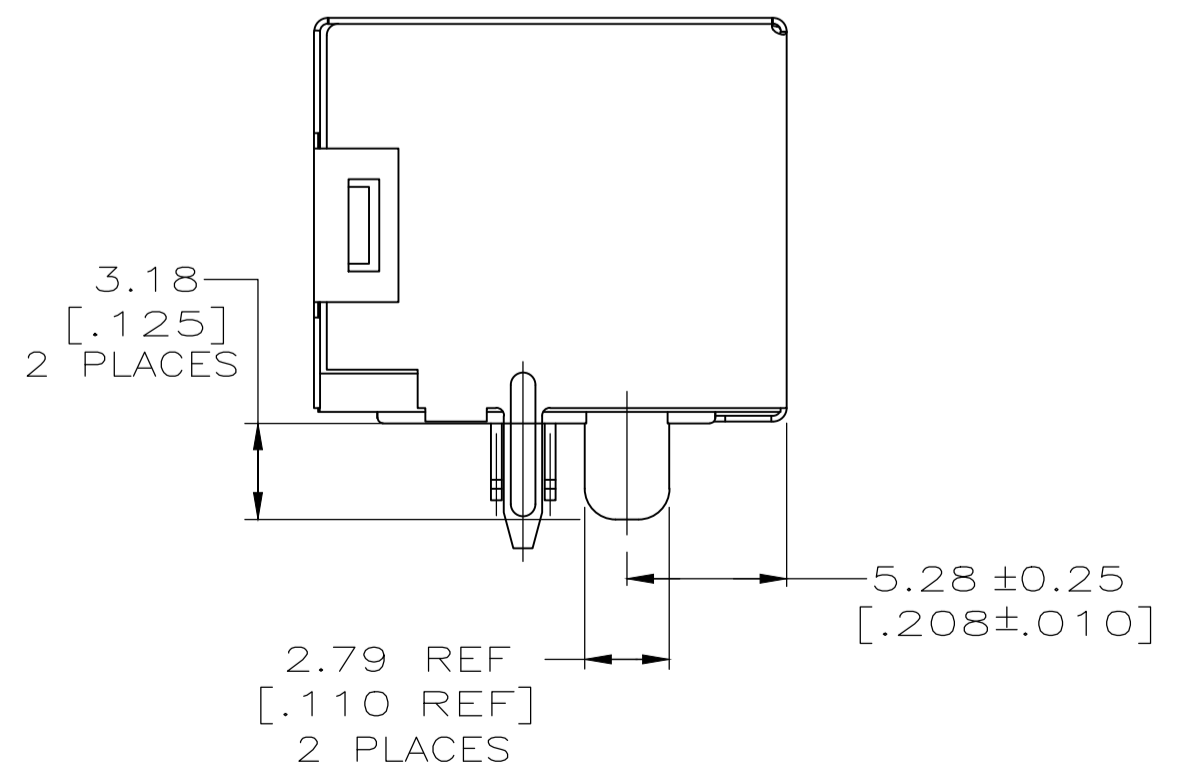
2-406541-3

WITHOUT SIDE PANEL GROUND NARROW POST TYPE

	TAPE/REEL				
	0	2.54 [.100]	3-406541-1		
	0	2.54 [.100]	4-406541-8		
	0	2.54 [.100]	3-406541-0		
	6	2.54 [.100]	2-406541-7		
	6	3.56 [.140]	2-406541-6		
	2	2.54 [.100]	2-406541-4		
	6	3.05 [.120]	2-406541-3		
	0	2.54 [.100]	2-406541-2		
	2	2.54 [.100]	2-406541-1		
	0	2.54 [.100]	2-406541-0		
	6	3.05 [.120]	1-406541-9		
	0	2.54 [.100]	1-406541-8		
	6	2.54 [.100]	1-406541-7		
	6	3.56 [.140]	1-406541-6		
	0	2.54 [.100]	1-406541-5		
	5	2.54 [.100]	1-406541-4		
	6	2.00 [.079]	1-406541-3		
	6	2.54 [.100]	1-406541-1		
	6	3.56 [.140]	406541-6		
	0	2.54 [.100]	406541-5		
	5	2.54 [.100]	406541-4		
	6	2.00 [.079]	406541-3		
	6	2.54 [.100]	406541-1		



SUGGESTED PRINTED CIRCUIT BOARD LAYOUT  
(COMPONENT SIDE)



2-406541-0, 2-2,3-1  
NARROW POST TYPE

REFLOW SOLDERING PROCESS COMPATIBLE

MATERIAL:  
HOUSING - HIGH TEMPERATURE THERMOPLASTIC, COLOR: BLACK, UL94V-0  
TERMINALS - 0.36[.014] THICK PHOS BRONZE PLATED WITH 3.81µm[.000150] MINIMUM THICK (SEE P/N TABLE) IN SOLDER AREA. 1.27µm[.000050] MINIMUM GOLD IN LOCALIZED PLATE AREA. ENTIRE TERMINAL PLATED WITH 1.27µm[.000050] MINIMUM THICK NICKEL.  
SHIELD - 0.196[.0077] THICK COPPER ZINC ALLOY PREPLATED WITH 1.27µm[.000050] MINIMUM SATIN NICKEL WITH 2.03µm[.000080] MINIMUM TIN POST DIPPED ON PCB GROUND TABS.

- JACK CAVITY CONFORMS TO FCC RULES AND REGULATIONS PART 68, SUBPART F.
- SUGGESTED PANEL OPENING DIMENSIONS.
- SUGGESTED CLEARANCE BETWEEN TOP OF CONNECTOR AND TOP PANEL OPENING.
- ON 406541-4 & 1-406541-4 LOWER RIGHT HAND PANEL GROUND TAB IS NOT PRESENT.
- MANUFACTURING DATE CODE: LOCATED APPROX. AS SHOWN. FIRST 2 DIGITS = LAST 2 DIGITS OF YEAR. NEXT 2 DIGITS = MANUFACTURING WORK WEEK, LAST DIGIT = DAY OF WEEK WITH SUNDAY = 1.
- OBSOLETE PARTS: OBSOLETE CIS STREAMLINING PER D.RENAUD/D.SINISI
- ADD PN ON TOP SURFACE FOR REQUIRED PARTS

OBSOLETE  
OBSOLETE

OBSOLETE

OBSOLETE  
OBSOLETE

OBSOLETE-4  
OBSOLETE-3  
OBSOLETE-1

THIS DRAWING IS A CONTROLLED DOCUMENT.		DIN IS/LA.MAYER 09JAN2008	
DIMENSIONS: mm [INCHES]		CHK J.WESTMAN 09JAN2008	
TOLERANCES UNLESS OTHERWISE SPECIFIED:		APVD S.FLICKINGER 09JAN2008	
0 PLC ± -	1 PLC ± -	NAME	INVERT MODULAR JACK ASSEMBLY
2 PLC ± ± 0.25[.010]	3 PLC ± ± -	PRODUCT SPEC	1 X 1, SHIELDED, PANEL GROUND
4 PLC ± ± -	ANGLES ± ± -	APPLICATION SPEC	
MATERIAL SEE TABLE	FINISH SEE TABLE	SIZE	A1
WEIGHT	0.000000	CAGE CODE	00779
CUSTOMER DRAWING		DRAWING NO	406541
SCALE	4:1	SHEET	1 of 1
REV	T		