

MEDIUM SIZE PLASTIC T-CASE

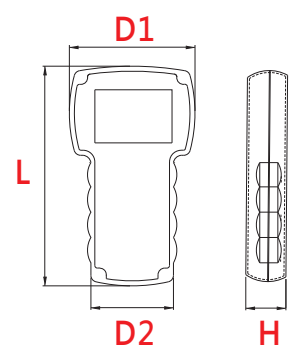


PRODUCT INFORMATION

MATERIAL: High impact ABS, UL94-HB.

- These new stylish cases are ideal for test and measurement, data-loggers and other handheld instruments.
- Two colour are available in black and light grey.
- Top and bottom parts incorporate a tongue and groove sealing system which accept gasketing to meet IP65 rating. the gasket is available as a separate item.
- Available with a battery compartment in the back which accept a 9V 216 type or two AA batteries.
- Removeable tilt stand. it can also be used wall mounted.
- Available with open display window or solid front.
- Case held together by 4xM3 screws supplied.
- Recessed display area : 87.3 x 66.5mm
- Recessed keyboard area : 105.4 x 62.7mm
- Cutout Area : 72.2 x 51.5mm

ITEM No.	COLOR	DISPLAY AREA	BATTERY COMPARTMENT	EXTERNAL DIMENSION(mm)			
				LENGTH(L)	WIDTH 1(D1)	WIDTH 2(D2)	HEIGHT(H)
G828G(0)	Grey	Cutout	No	210	110	75	40.5
G828G(0)BC	Grey	Cutout	Yes				
G828G(S)	Grey	Solid	No				
G828G(S)BC	Grey	Solid	Yes				
G828B(0)	Black	Cutout	No				
G828B(0)BC	Black	Cutout	Yes				
G828B(S)	Black	Solid	No				
G828B(S)BC	Black	Solid	Yes				
G828GSKT	Sealing Gasket						
G828BTS	Black tilt stand						
G828GTS	Grey tilt stand						



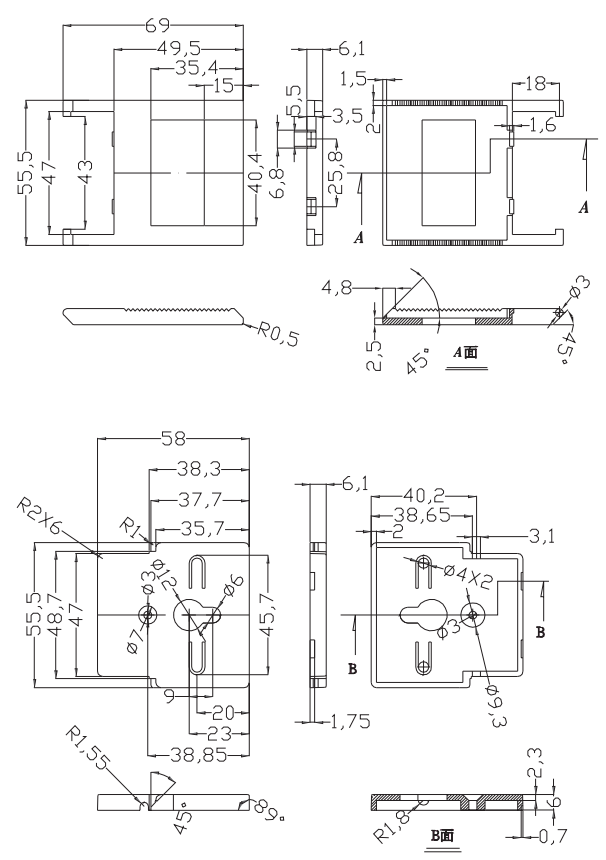
G828BTS / G828GTS



Example Sealing Gasket

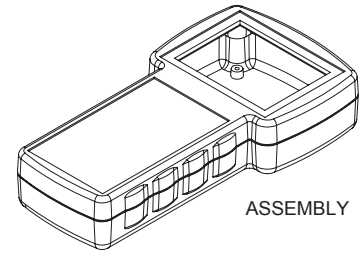
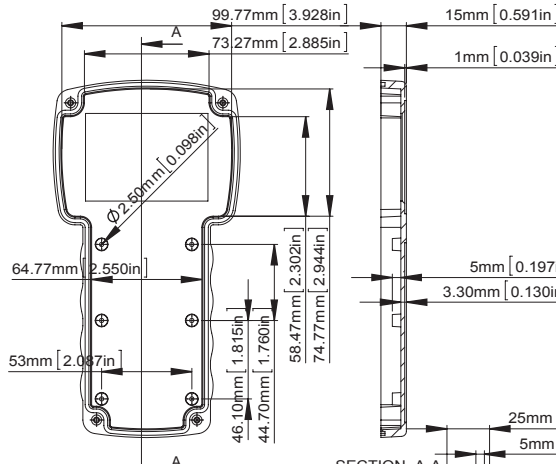
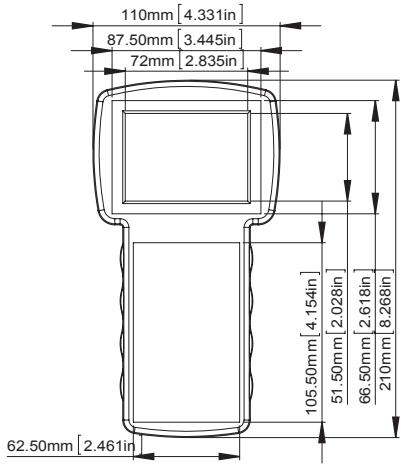


Example



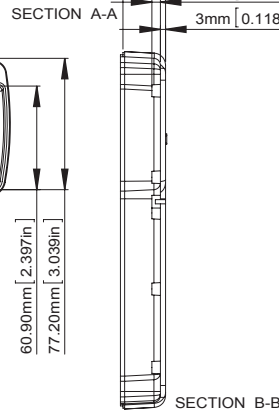
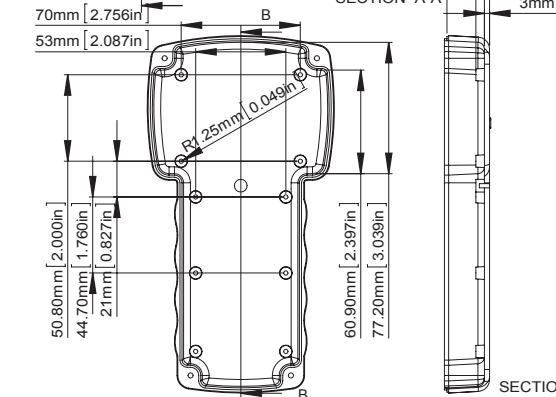
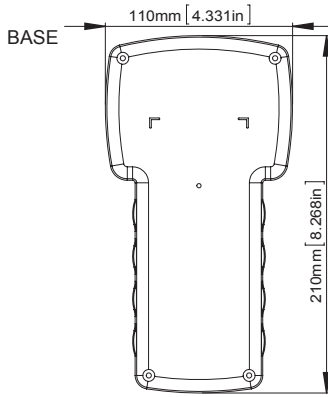
G828G(O)/G828B(O)

COVER



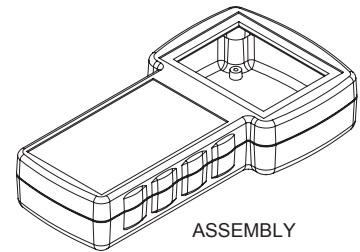
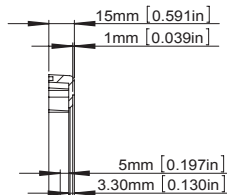
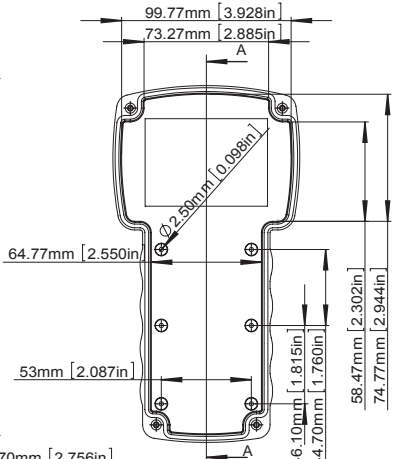
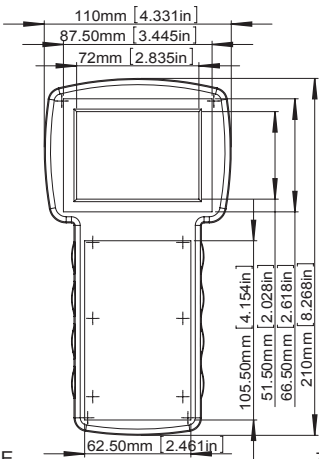
ASSEMBLY

BASE



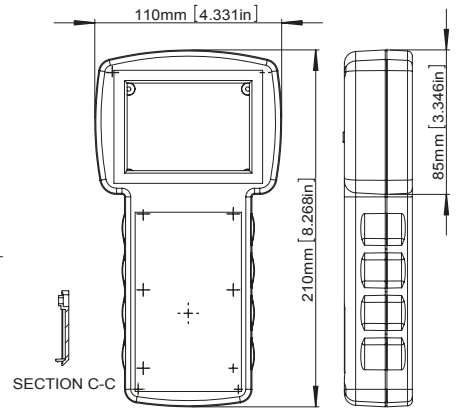
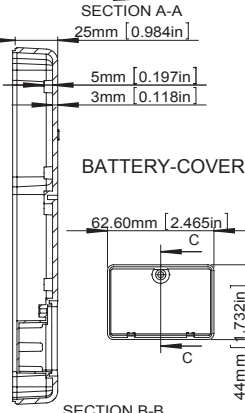
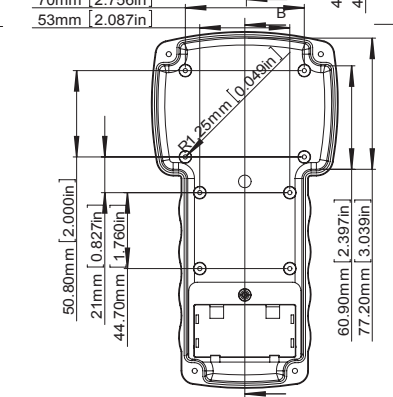
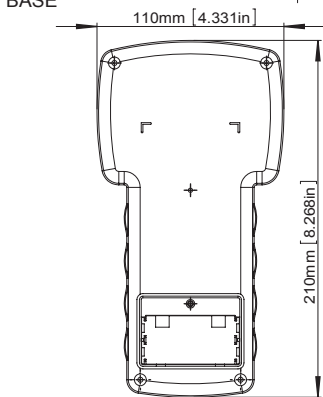
G828G(O)BC/G828B(O)BC

COVER

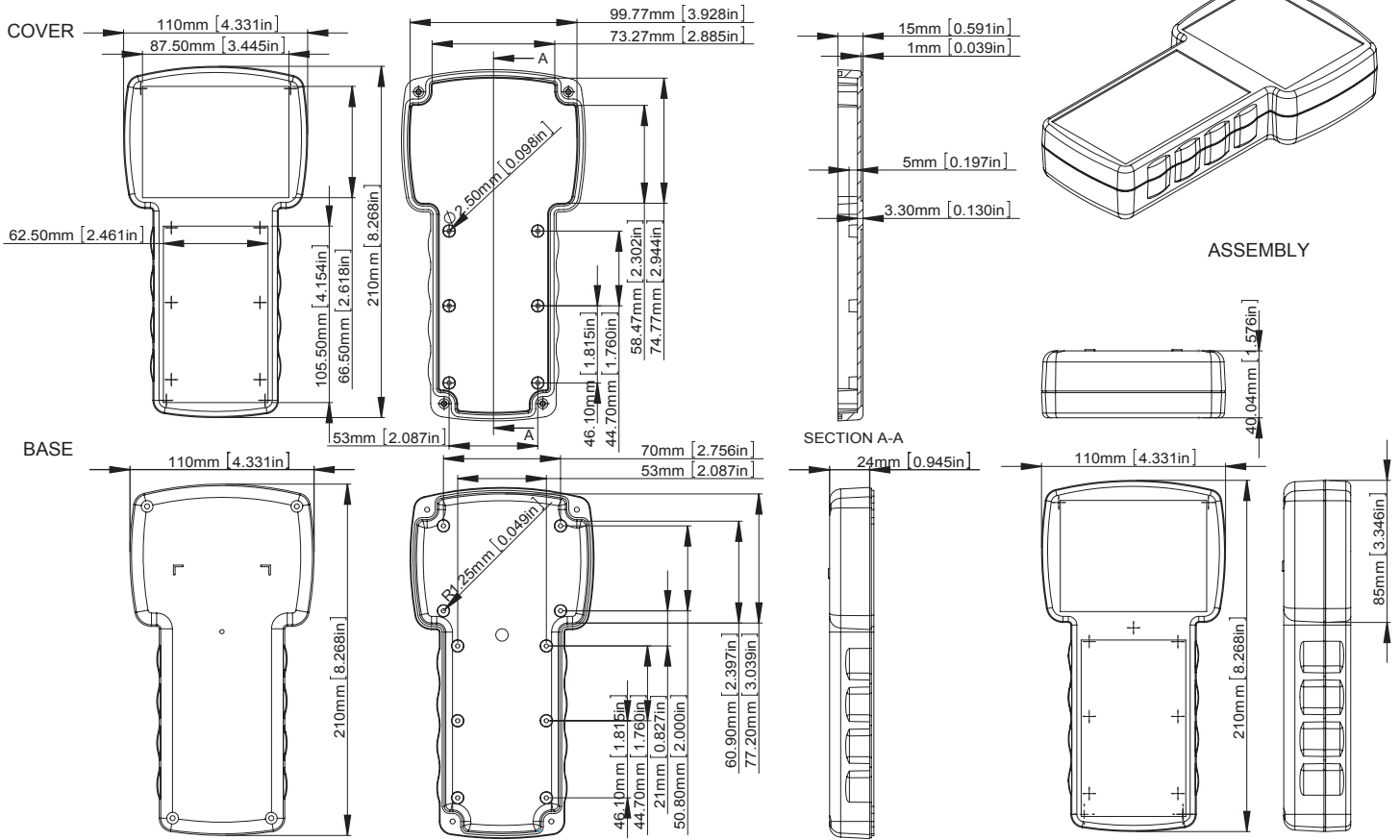


ASSEMBLY

BASE



G828G(S)/G828B(S)



G828G(S)BC/G828B(S)BC

