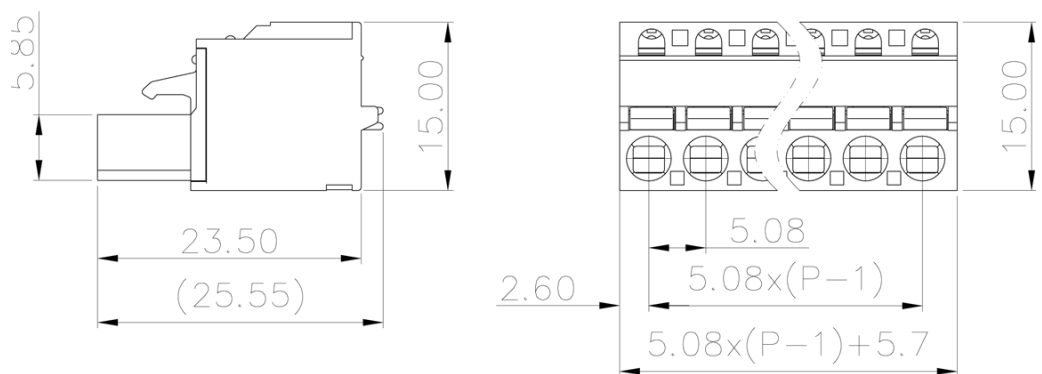
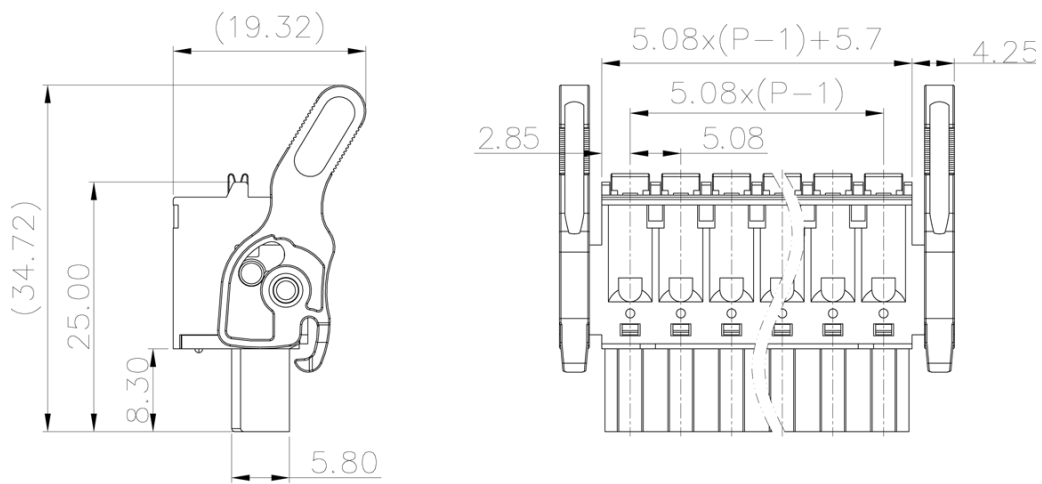


Category: 插拔式端子-插头/Plug-in terminal-plug

Product name: MC-RJT5.08HXXP-I

Product Description: 5.08mm , 320V , 12A CE

Product Picture



基本信息 /Basic Information

产品型号
SUPU ID MC-RJT5.08HXXP-I

产品间距
Pitch 5.08mm

产品层数 Number of levels	1
产品位数 Number of connections	2P-24P
接线方式 Connection method	直插弹簧接线Push in connection
防护等级 Protection Level	IP20
工作温度 Work temperature	-40~+105°C

IEC数据 /IEC Data

额定电流 Rated Current	12A
额定电压 Rated Voltage	320V
过压类别 Overvoltage category	Ⅲ Ⅲ Ⅱ
污染等级 Pollution degree	3 2 2
额定冲击电压 Rated impulse voltage	4KV 4KV 4KV
额定电压 Rated Voltage	250V 320V 630V
硬导线截面积 Conductor cross section solid	0.2-2.5mm ²
柔性导线截面积 Conductor cross section flexible	0.2-2.5mm ²
柔性导线截面积，带绝缘管套 Conductor cross section flexible,with furrule	0.2-2.5mm ²
锁线螺钉规格 Locking screw Specification	-
额定扭矩 Rated Torque	-
固定螺钉规格 Fixed Screw Specification	-
额定扭矩 Rated Torque	-
剥线长度 Stripping length	10-11mm

UL数据 /UL Data

使用组别 Use group	B	C	D
额定电流 Rated Current	10A	-	10A
额定电压 Rated Voltage	300V	-	300V
额定接线容量 Rated cross section	24~12AWG		

材料信息 /Material Data

绝缘材料 Insulation material	PA66
绝缘材料组别 Insulation material group	I
阻燃等级, 符合UL94 Flame retardant grade, UL94 compliance	V0
导体材料 Contact material	Copper alloy
导体表面镀层 Surface characteristics	Sn,Plated

产品认证 /Product Certification

认证图标 Certificate	
UL证书号 UL file No.	
VDE证书号 VDE No.	
TUV证书号 TUV No.	

Ningbo Supu Electronics Co.,Ltd

Zip code: 315303

Fax: +86 574-63288170

E-mail : askme@supu.cn

Address: No. 625, Kandun Town Street, Cixi
City, Zhejiang Province

Switchboard: +86 574-63288158

E-mail : askme@supu.cn

Service Hotline: 400-626-6336



Code

File date : 2024-10-24 19:07

Product Entry : 2023-09-20

The right to modify data belongs to
Supu.