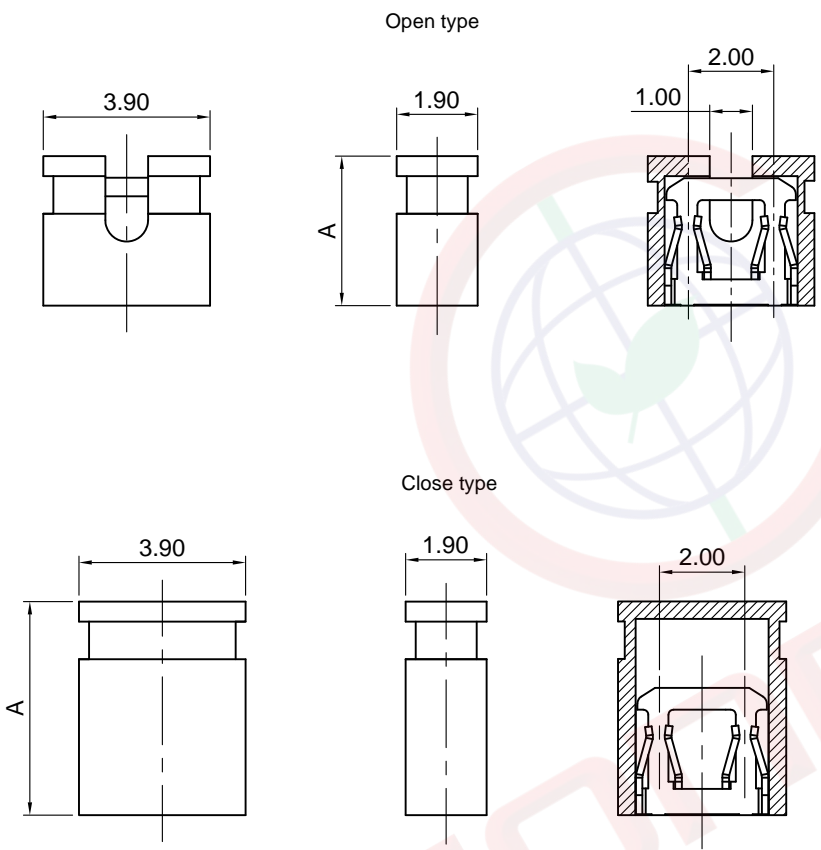


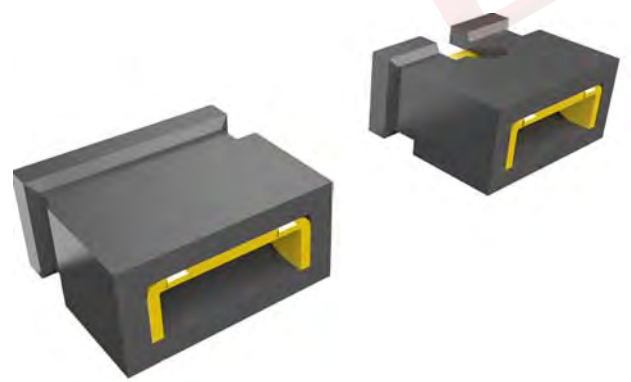
Dept	Qty
DC	1
ED	1
IE	1
ISO	1
PD	1
R&D	1
SD	1
QA	1
QC	1
QF	1

The information provided herein is from CONNELY Electronic Co., Ltd. and is confidential. Any disclosure to a party other than the recipient is prohibited. The intellectual properties and its rights contained herein, including but not limited to, trademarks, patents, copyrights, trade secrets, and technical know-how, are owned exclusively by CONNELY or its affiliates. Unauthorized use of any part of this information, in any form or by any means, without the prior written permission of CONNELY, is strictly prohibited. CONNELY may enforce its intellectual property rights at its own discretion, failures or delays to exercise such rights does not constitute a waiver of such rights.

REV.	DESCRIPTION	DRAWN	CHECKED	APPROVED
A	NEW RELEASE	LL 09/25/06'		LJC 09/25/06'
B	DRAWING UPDATE	JLZ 10/20/16'		



Notes:  
 Specifications:  
 1. Contact Resistance: 30mΩ Max.  
 2. Insulation Resistance: 500MΩ Min.  
 3. Dielectric Withstanding Voltage: 250V AC(rms) For 1 Minute.  
 4. Current Rating:1.5A.  
 5. Temperature: -40°C~+105°C.  
 Materials:  
 1. Contact Material: Copper Alloy.  
 2. Insulator Material: Thermoplastic.  
 Product Number Code:  
 DS1028 - X X X X X X  
 Profile height(DIM A):  
 1:3.5mm  
 2:5.0mm(For close type)  
 Contact plating:  
 F1: Full gold flash  
 N: Nickel 2: Gold+Nickel  
 Housing color:  
 B: Black U:Blue Y:Yellow  
 W: White E:Green R:Red  
 Housing type:  
 A:Open B:Close  
 No.of contacts:  
 2: 2Pin



(Series Image-Reference Only)

GENERAL TOLERANCE		ANGLE TOLERANCE		PROJECTION		TITLE	
X.	±0.60	X.	±5°	UNITS	mm	2.00mm Mini Jumper	
.X	±0.38	.X	±3°	SHEET SIZE	A4	SERIES	DS1028 SERIES
.XX	±0.25	.XX	±2°	<b>晨翔电子有限公司</b> <b>CONNFLY ELECTRONIC CO. LTD</b>			
DRAWING TYPE		CUSTOMER					
SCALE		1:1	SHEET 1 OF 1				
DRAWING NO.		C-DS1028-XXXXX-B					