

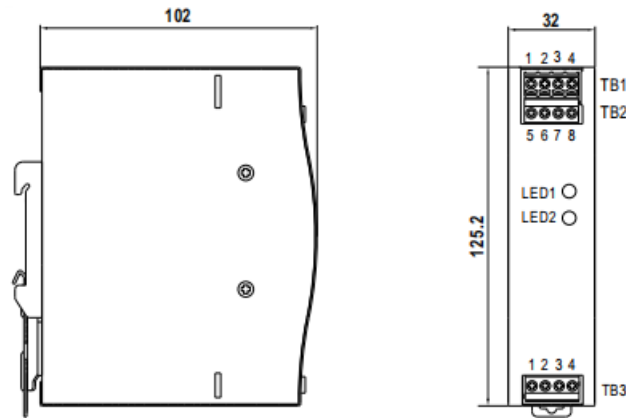


Product Picture

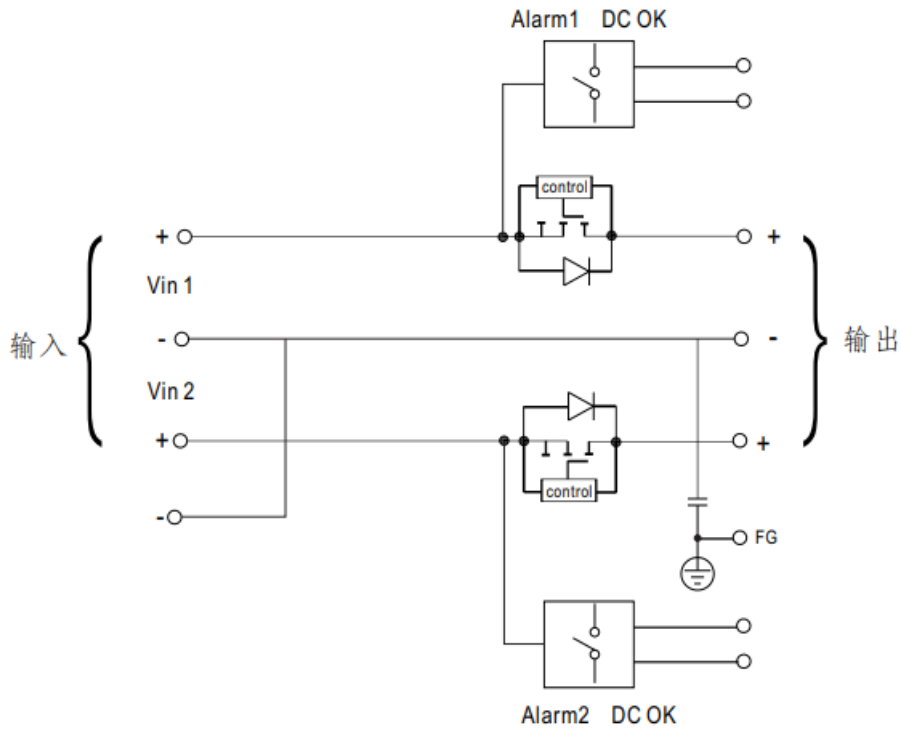
Category: 导轨电源/Plug-in terminal-plug

Product name: SDD-24DC2-20

Product Description: 24VDC , 20A



导轨电源辅助模块SDD-24DC2-20结构图



导轨电源辅助模块SDD-24DC2-20电气图

产品型号 SUPU ID	SDD-24DC2-20
接线端子 Connection terminal	螺钉式 ( screw terminal blocks )
工作温度 Work temperature	-40~+80°C
防护等级 Protection Level	IP20
安装方式 Mounting	TS35导轨安装 ( 35mm DIN )
DC OK DC OK	LED指示灯+继电器报警 ( LED indicating lamp + Relay remote alarm )
尺寸(mm) Dimensions	125.2 * 102 * 32mm

## IEC数据 /IEC Data

额定电流 Rated Current	20A
额定电压 Rated Voltage	24V DC
额定输入 Rated Input	19 ~ 29VAC
效率 Efficiency	98%
纹波噪声 Ripple noise	-
输入频率 Input frequency	-
峰值带载能力 Peak load capacity	< 30A
耐压 Withstand voltage	IP/OP-机壳:0.5 KVac; IP/OP-继电器:0.5KVac; 继电器-机壳:0.5 KVac
工作海拔 Work altitude	2000米以上降额使用，最高海拔5000米 Derating above 2000 meters derated use, the highest altitude of 5000 meters

## 包装信息 /Packaging information

包装单位 Packing unit	Pcs
----------------------	-----

---

最小订货量 Minimum order quantity	1
原产地 Country of origin	CN

---

Ningbo Supu Electronics Co.,Ltd

Address: No. 625, Kandun Town Street, Cixi  
City, Zhejiang Province

Zip code: 315303

Switchboard: +86 574-63288158

Fax: +86 574-63288170

E-mail : askme@supu.cn

E-mail : askme@supu.cn

Service Hotline: 400-626-6336



Code

---

File date : 2024-11-22 12:12

Product Entry : 2024-01-24

The right to modify data belongs to  
Supu.