

PCB Connector Series

KLS1-XL1-2.00 Pitch=2.00mm TYPE

Electrical Specification:

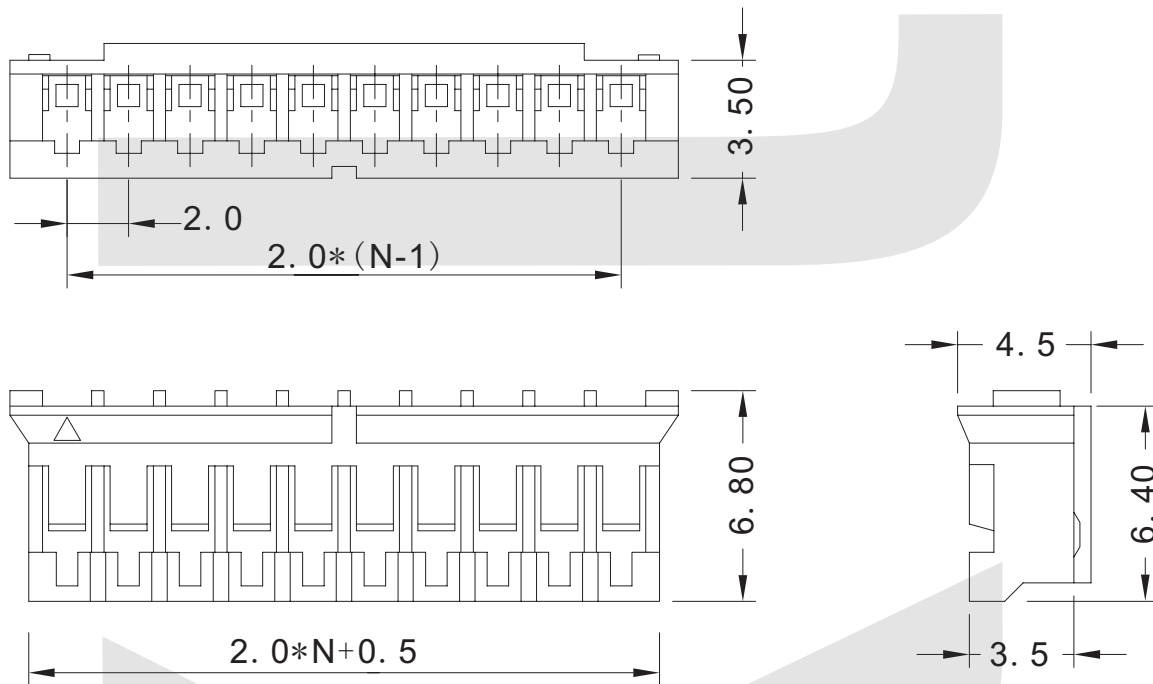
Rated Voltage: 50/250V AC.DC
 Rated Current: 2A
 Contact Resistance: 0.02 Ohm max
 Insulation Resistance: 1000M Ohm min
 Withstand voltage: 800V AC/MIN
 Temperature range for usage : -40°C~+105°C
 P.C board thickness : 0.8~1.6mm

Material:

Housing: PA66 UL94V-2
 Contacts: Phosphor Bronze
 Plating: Tin 50u" over 100u" nickel
 Wire range : AWG#32~#22



Housing



ORDER INFORMATION

Product NO.: KLS1-XL1-2.00-02-H

Series No. _____	Type: H=Housing	T=Terminal
Pitch: 2.00=2.00mm	S=Straight Male pin	R=Right Male pin
PIN Number: 2~30pin	VM = Vertical SMT	RM = Horizontal SMT

PCB Connector Series

KLS1-XL1-2.00 Pitch=2.00mm TYPE

Electrical Specification:

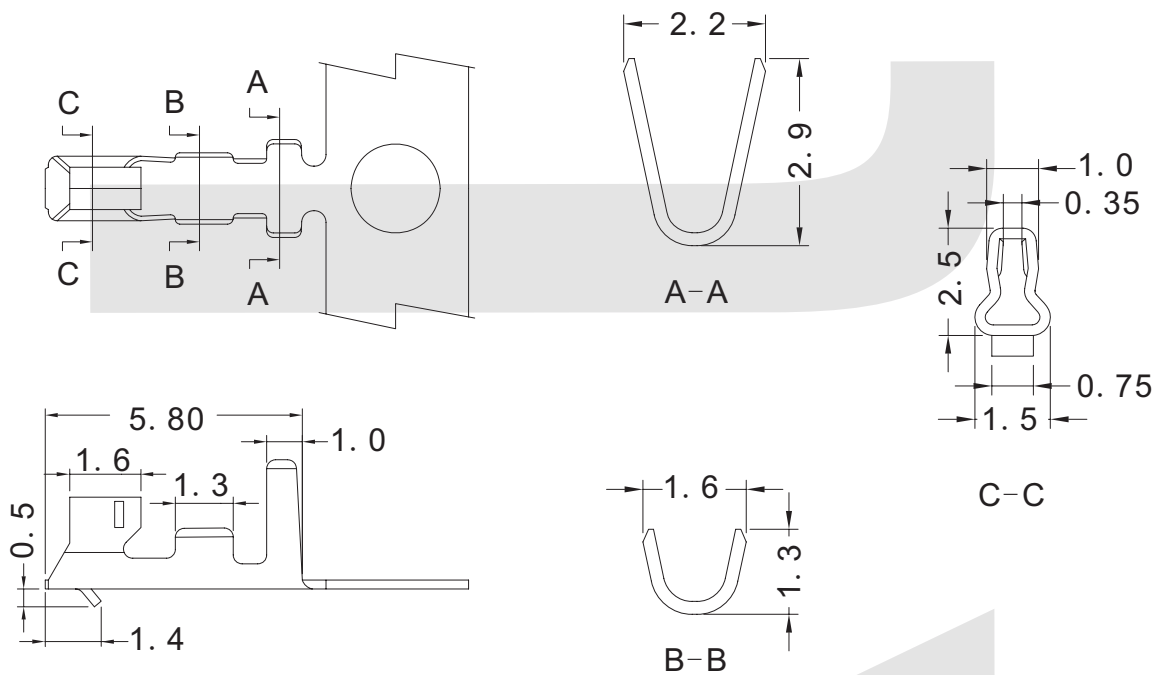
Rated Voltage: 50/250V AC.DC
 Rated Current: 2A
 Contact Resistance: 0.02 Ohm max
 Insulation Resistance: 1000M Ohm min
 Withstand voltage: 800V AC/MIN
 Temperature range for usage : -40°C~+105°C
 P.C board thickness : 0.8~1.6mm

Material:

Contacts: Phosphor Bronze
 Plating: Tin 50u" over 100u" nickel
 Wire range : AWG#32~#22



Terminal



ORDER INFORMATION

Product NO.: KLS1-XL1-2.00-T

Series No. _____ Type: H=Housing T=Terminal
 Pitch: 2.00=2.00mm _____ S= Straight Male pin R= Right Male pin
 VM = Vertical SMT RM = Horizontal SMT

PCB Connector Series

KLS1-XL1-2.00 Pitch=2.00mm TYPE

Electrical Specification:

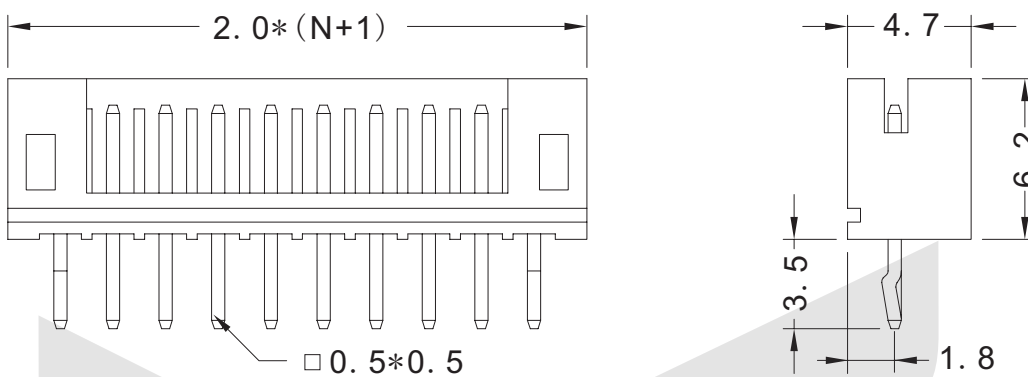
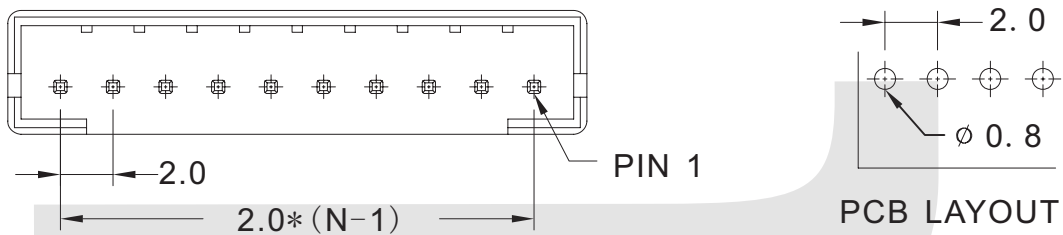
Rated Voltage: 50/250V AC.DC
 Rated Current: 2A
 Contact Resistance: 0.02 Ohm max
 Insulation Resistance: 1000M Ohm min
 Withstand voltage: 800V AC/MIN
 Temperature range for usage : -40°C~+105°C
 P.C board thickness : 0.8~1.6mm

Material:

Housing: PA66 UL94V-2
 Contacts: Brass
 Plating: Tin 50u" over 100u" nickel



Straight Male Pin



ORDER INFORMATION

Product NO.: KLS1-XL1-2.00-02-S

Series No. _____	Type: H=Housing	T=Terminal
Pitch: 2.00=2.00mm	S=Straight Male pin	R=Right Male pin
PIN Number: 2~30pin	VM = Vertical SMT	RM = Horizontal SMT

PCB Connector Series

KLS1-XL1-2.00 Pitch=2.00mm TYPE

Electrical Specification:

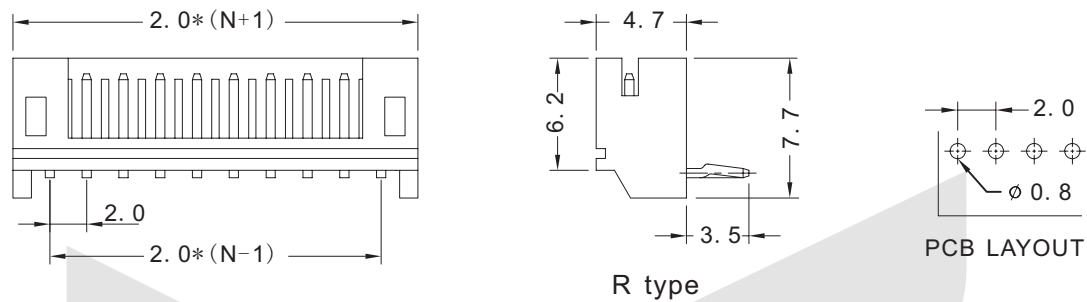
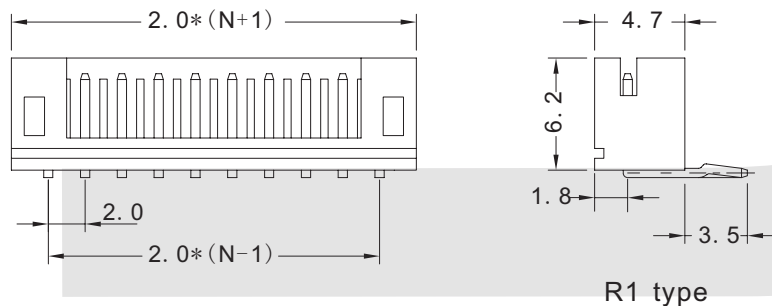
- Rated Voltage: 50/250V AC.DC
- Rated Current: 2A
- Contact Resistance: 0.02 Ohm max
- Insulation Resistance: 1000M Ohm min
- Withstand voltage: 800V AC/MIN
- Temperature range for usage : -40°C~+105°C
- P.C board thickness : 0.8~1.6mm

Material:

- Housing: PA66 UL94V-2
- Contacts: Brass
- Plating: Tin 50u" over 100u" nickel



Right Male Pin



ORDER INFORMATION

Product NO.: KLS1-XL1-2.00-02-R

- Series No. _____
- Pitch: 2.00=2.00mm _____
- PIN Number: 2~30pin _____
- Type: H=Housing
- S=Straight Male pin
- VM = Vertical SMT
- T=Terminal
- R=Right Male pin
- RM = Horizontal SMT

PCB Connector Series

KLS1-XL1-2.00 Pitch=2.00mm TYPE

Electrical Specification:

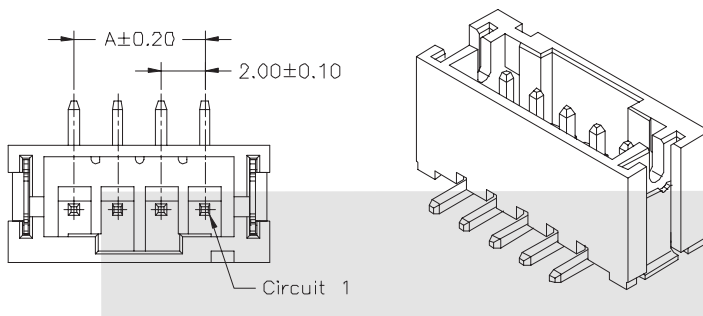
Rated Voltage: 50/250V AC.DC
 Rated Current: 2A
 Contact Resistance: 0.02 Ohm max
 Insulation Resistance: 1000M Ohm min
 Withstand voltage: 800V AC/MIN
 Temperature range for usage : -40°C~+105°C
 P.C board thickness : 0.8~1.6mm

Material:

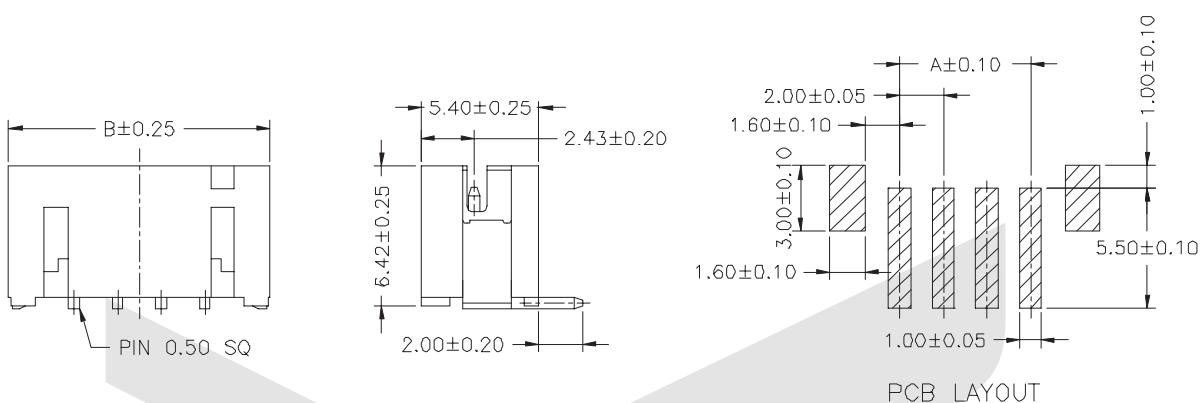
Housing: PA66 UL94V-2
 Contacts: Brass
 Plating: Tin 50u" over 100u" nickel



Vertical SMT



PART NO.	Dimensions	
	A	B
02	2.00	8.00
03	4.00	10.00
04	6.00	12.00
05	8.00	14.00
06	10.00	16.00
07	12.00	18.00
08	14.00	20.00
09	16.00	22.00
10	18.00	24.00
11	20.00	26.00
12	22.00	28.00
13	24.00	30.00
14	26.00	32.00
15	28.00	34.00
16	30.00	36.00



ORDER INFORMATION

Product NO.: KLS1-XL1-2.00-02-VM

Series No. _____ Type: H=Housing T=Terminal
 Pitch: 2.00=2.00mm S=Straight Male pin R=Right Male pin
 PIN Number: 2~16pin VM = Vertical SMT RM = Horizontal SMT

PCB Connector Series

KLS1-XL1-2.00 Pitch=2.00mm TYPE

Electrical Specification:

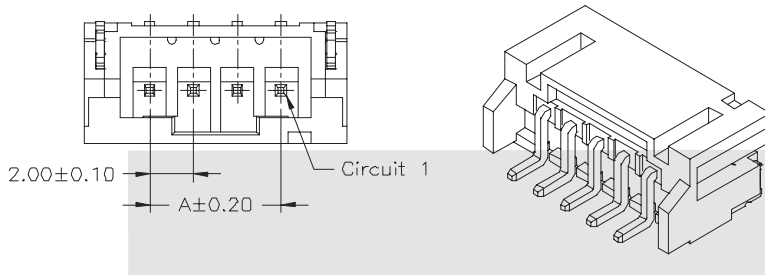
Rated Voltage: 50/250V AC.DC
 Rated Current: 2A
 Contact Resistance: 0.02 Ohm max
 Insulation Resistance: 1000M Ohm min
 Withstand voltage: 800V AC/MIN
 Temperature range for usage : -40°C~+105°C
 P.C board thickness : 0.8~1.6mm

Material:

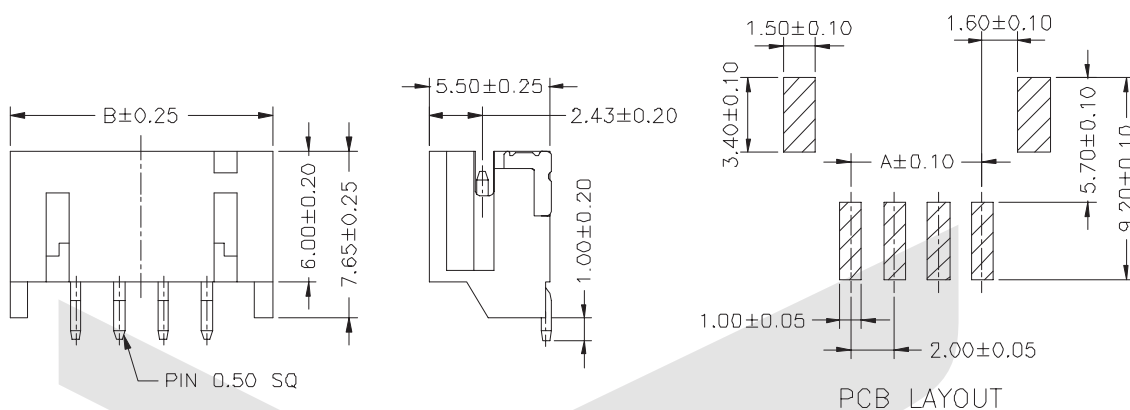
Housing: PA66 UL94V-2
 Contacts: Brass
 Plating: Tin 50u" over 100u" nickel



Horizontal SMT



PART NO.	Dimensions	
	A	B
02	2.00	8.00
03	4.00	10.00
04	6.00	12.00
05	8.00	14.00
06	10.00	16.00
07	12.00	18.00
08	14.00	20.00
09	16.00	22.00
10	18.00	24.00
11	20.00	26.00
12	22.00	28.00
13	24.00	30.00
14	26.00	32.00
15	28.00	34.00
16	30.00	36.00



ORDER INFORMATION

Product NO.: KLS1-XL1-2.00-02-RM

Series No. _____
 Pitch: 2.00=2.00mm
 PIN Number: 2~16pin

Type: H=Housing
 S= Straight Male pin
 VM = Vertical SMT

T=Terminal
 R=Right Male pin
 RM = Horizontal SMT