

Data sheet

Commercial Art.No.: 70.353.0635.3

Hood BAS GOT GG 6 M25 A3

Hood revos basic made of aluminum, for single locking lever with trumpet gland M25 on the right side (IP54), low version, 6-poles



Commercial Art.No.	70.353.0635.3
EAN	4015573652538
Order Unit	1

Certificates / Approvals



Technical data

General

Housing material	aluminum
Color	Grey
Surface	With powder coating
Degree of protection (IP)	IP65
UV resistant	yes
Inflammability class of insulation material acc. with UL94	Other
Operating temperature range min.	-40 °C
Operating temperature range max.	120 °C

Model

Construction	6
Locking mechanism	Single locking lever
Cable entry	Sideways
Type of cable	Gland nut
With cable screw gland	yes
Thread size M	25
Thread size PG	
Hinged lid	No
EMC-version	No
Length	73.6 mm
Width	43 mm
Height	51 mm

Classification

ECLASS 11	
ECLASS 8.1	27440202
ETIM 7.0	EC000437
ETIM 6.0	EC000437
ETIM 5.0	EC000437
ETIM 4.0	EC000437
ETIM 3.0	EC000437

Product compliance

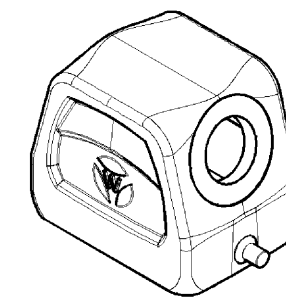
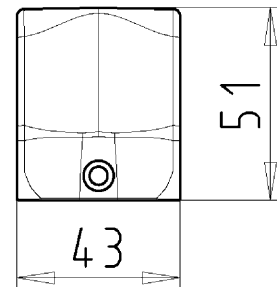
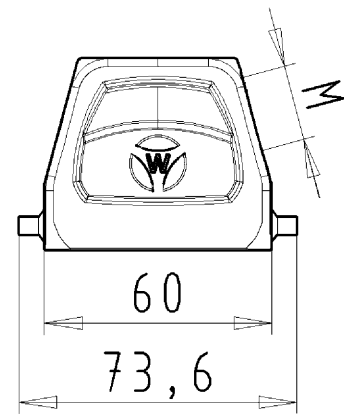
ROHS conformity status	Compliant/Exempted
ROHS exceptions	III-6(c)
REACH-SVHC conformity status	Duty-To-Declare
REACH-SVHC substances	Lead
REACH-SVHC CAS numbers	7439-92-1

Fits with

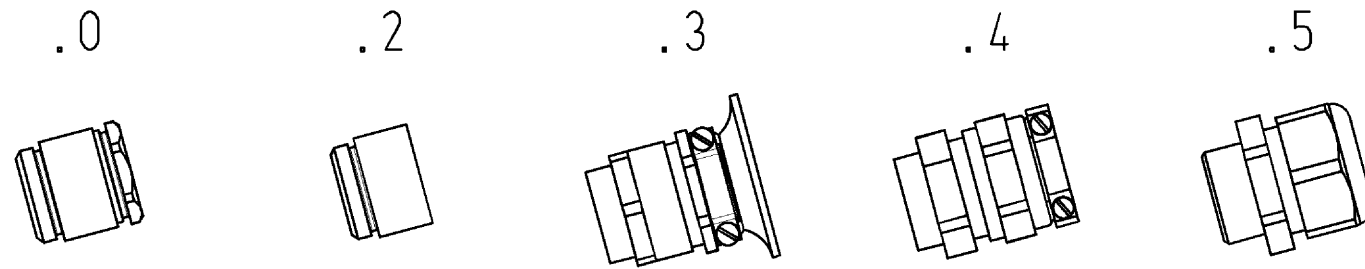
Commercial Art.No.:	Article-type description:	Description:
70.300.0602.0	Female insert BAS BUS 6 2,5 50 AG	Female insert revos basic, 6-poles, rated current: 16A, rated voltage: 500V, with silver-plated contacts
70.300.0640.0	Female insert BAS BUS 6 2,5 50	Female insert revos basic, 6-poles, rated current: 16A, rated voltage: 500V, with tin-plated contacts
70.301.0640.0	Female insert BAS BUS 6 2,5 50 AU	Female insert revos basic, 6-poles, rated current: 16A, rated voltage: 500V, with gold-plated contacts
70.302.0640.0	Female insert BAS BUS OD 6 2,5 50	Female insert revos basic, 6-poles, rated current: 16A, rated voltage: 500V, with tin-plated contacts
70.310.0602.0	Male insert BAS BUS OD 6 2,5 50	Female insert revos basic, 6-poles, rated current: 16A, rated voltage: 500V, with tin-plated contacts
70.310.0640.0	Male insert BAS STS 6 2,5 50	Male insert revos basic, 6-poles, rated current: 16A, rated voltage: 500V, with tin-plated contacts
70.311.0640.0	Male insert BAS STS 6 2,5 50 AU	Male insert revos basic, 6-poles, rated current: 16A, rated voltage: 500V, with gold-plated contacts
70.312.0640.0	Male insert BAS STS OD 6 2,5 50	Male insert revos basic, 6-poles, rated current: 16A, rated voltage: 500V, with tin-plated contacts
70.500.0653.0	Female insert BAS BUF 6 2,5 50	Female insert revos basic, 6-poles, rated current: 16A, rated voltage: 500V, with silver-plated contacts
70.510.0653.0	Male insert BAS STF 6 2,5 50	Male insert revos basic, 6-poles, rated current: 16A, rated voltage: 500V, with tin-plated contacts
70.700.0658.0	Female insert BAS BUC 6 50	Female insert revos basic, 6-poles, rated current: 16A, rated voltage: 500V, with tin-plated contacts
70.710.0658.0	Male insert BAS STC 6 50	Male insert revos basic, 6-poles, rated current: 16A, rated voltage: 500V, with tin-plated contacts
72.300.0653.0	Female insert BAS BUS 6 2,5 69	Female insert revos basic, 6-poles, rated current: 16A, rated voltage: 690V, with tin-plated contacts
72.310.0653.0	Male insert BAS STS 6 2,5 69	Male insert revos basic, 6-poles, rated current: 16A, rated voltage: 690V, with tin-plated contacts
72.700.0658.0	Female insert BAS BUC 6 69	Female insert revos basic, 6-poles, rated current: 16A, rated voltage: 690V, with tin-plated contacts
72.710.0658.0	Male insert BAS STC 6 69	Male insert revos basic, 6-poles, rated current: 16A, rated voltage: 690V, with tin-plated contacts
73.800.2453.0	Female insert DD BUC 24 1,5 25	revos DD 24 pole + ground, female insert 250V/10A, crimp connection
73.810.2453.0	Male insert DD STC 24 1,5 25	revos DD 24 pole + ground, male insert 250V/10A, crimp connection
70.405.0653.0	Female insert BAS BUP 6 2,5 50 AG	Female insert revos basic, 6-poles, rated current: 16A, rated voltage: 500V, with silver-plated contacts
70.415.0653.0	Male insert BAS STP 6 2,5 50 AG	Male insert revos basic, 6-poles, rated current: 16A, rated voltage: 500V, with silver-plated contacts
70.810.1056.0	Male insert BAS STCK 10 50 PC	Male insert revos basic, 10-poles, polycarbonate insert, rated current: 16A, rated voltage: 500V, with gold-plated or silver-plated contacts

These dimensions will be especially checked at delivery
 Only inspection dimensions
 With /E marked dimensions are only valid for internal use

Diese Maße werden bei Abnahme besonders geprüft
 Ausschließlich Prüfmaße
 Mit /E gekennzeichnete Maße sind nur für interne Zwecke gültig



Varianten/ Variants



70.35 ³ ₀ .0635.5	BAS GOT GG 6 M25 M20 A 5	Kabelverschraubung(KV), IP65 /Cable gland(CG), IP65	
70.35 ³ ₀ .0635.4	BAS GOT GG 6 M25 M20 A 4	KV mit Zugentlastung, IP54 /CG with strain relief, IP54	
70.35 ³ ₀ .0635.3	BAS GOT GG 6 M25 M20 A 3	KV mit Zugentlastung und Knickschutz, IP54 /CG with strain relief and bend support, IP54	
70.35 ³ ₀ .0635.2	BAS GOT GG 6 M25 M20 A 2	Zwischenstützen /Bushing	
70.35 ³ ₀ .0635.1	BAS GOT GG 6 M25 M20 A 1	Gewindebohrung /Thread hole	X
70.35 ³ ₀ .0635.0	BAS GOT GG 6 M25 M20 A 0	Kabelverschraubung(KV), IP54 /Cable gland(CG), IP54	
Bestellnummer /Order number	Typ /Type	Varianten /Variants	der-gestellt /drawed

Weitere Daten siehe KATALOG oder eKatalog. Additional data see CATALOG or eCatalog. www.wieland-electric.com eshop.wieland-electric.com

Tolerierung Size ISO 14405 (E) /Tolerance system Size ISO 14405 (E). (This ISO-standard describes the envelope principle. According to the envelope principle the deviations of form and parallelism are limited by the size tolerances).		ja/yes <input checked="" type="checkbox"/> Stoffverbots- und Deklarationsliste nach UU-TOM-05/03 ist einzuhalten. Conformity with Wieland document UU-TOM-05/03 (list of prohibited / declarable hazardous substances) to be declared!	
Freitoleranz nach General tolerance		CAD - Zeichnung, keine manuellen Änderungen CAD - drawing, no manual modifications allowed	1. Verwendung: - First Use: -
Blatt: 1 von 1 Sheet: 1 of 1		Zeichnung Nr./Drawing No. Index	
/ /		70.350.0635.0 13K	
/ /		Maßstab/Scale 1:2	
/ /		Werkstoff/Material Aluminium beschichtet/ coated grau/ grey	
/ /		2013 Tag/Date Name gezeichnet/drawn 20.08. Treschan	
/ /		geprüft/checked - -	
/ /		Normgepr. Stand. check - -	
/ /		Vol. mm ³ /Ofl./Surf. mm ² Ersatz für/Replacement for: -	
/ /		Type Benennung/Titel	
/ /		revos BASIC GEHAEUSEOBERTEIL	
/ /		Baugröße 6-Kabelabgang seitlich-M20/M25 Hood size 6-cable outlet side M20/M25	
Index Datum / Blatt Date / Sheet		Änderung/Revision	

Weitergabe sowie Vervielfältigung dieses Dokuments, Verwertung und Mitteilung seines Inhalts sind verboten, soweit nicht ausdrücklich gestattet. The reproduction, distribution and utilization of this document as well as the communication of its contents to others without express authorization is prohibited.

703500635013K_2 CADW3028 Treschan 2013-09-201084806 1.000