

Data sheet

Commercial Art.No.: 93.010.0153.0

Distributor ST16/2 VT 5/1 P WS

Distribution block ST16/2, 2 pole, 1 input, 5 outputs, without mounting option, 48V/25A, color of coding: white



Commercial Art.No.	93.010.0153.0
EAN	4015573364493
Order Unit	1

Certificates / Approvals



Technical data

General

Rated current	25 A
Rated voltage	48 V
Rated impulse voltage	0.8 kV
Pollution degree	2
Mechanical coding	yes
Lockable	self-locking (unlocking by tool)
Color of coding/ contact carrier	Other

Model

Number of inputs	1
Number of outputs	5
Type of fastening	No
Degree of protection (IP)	IP20
Type of distributor	HH-distributor

Material

Housing material	Polyamide
halogen free	yes
Contact material	CuZn
Fire load	0.055 kWh
Insulation components continuous temperature	100 °C
Surface finish	Silver-plated

Dimensions

Length	31.5 mm
Width	25 mm
Height	22 mm

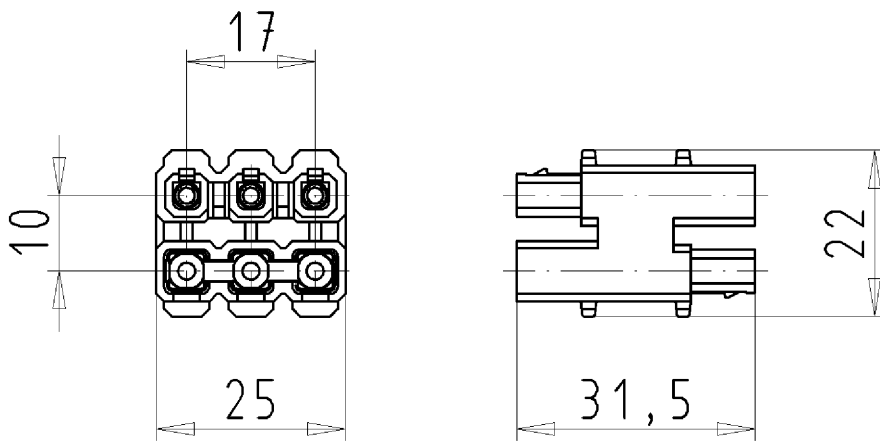
Classification

ECLASS 11	
ECLASS 8.1	27440603

ETIM 7.0	EC002567
ETIM 6.0	EC002567
ETIM 5.0	EC002567
ETIM 4.0	EC002567

Product compliance

ROHS conformity status	Compliant/Exempted
ROHS exceptions	III-6(c)
REACH-SVHC conformity status	Duty-To-Declare
REACH-SVHC substances	Lead
REACH-SVHC CAS numbers	7439-92-1



VERTEILERBLOCK
93.010.0153.0 10W
04.01.2008 Lunz S.
M 1:1