

Data sheet

Commercial Art.No.: 56.703.2255.0

earth terminal WKFN 2,5 2P/2F-SL

Ground terminal with tension spring connection for mounting on TS 35, nominal cross section: 2.5 mm², width: 5 mm, color: Green-yellow



Commercial Art.No.	56.703.2255.0
EAN	4049088047893
Order Unit	100

certificates / approvals



Technical data

general

nominal cross section	2.5 mm ²
color	green/yellow
number of levels	1
number of clamp positions per level	4
width/grid dimension	5 mm
insulating housing	PA666
flammability class of insulation material acc. with UL94	V0
mounting method	DIN rail (top hat rail) 35/7.5 mm
terminal blocks for electrical installations	no

technical data

rated impulse voltage	8 kV
pollution degree	3
closing plate required	yes
type of insulation material	thermoplastic
length	85.05 mm

connection data

connection type 1	spring clamp connection
connection type 2	plug-in connection
minimum cross section solid	0.2 mm ²
maximum cross section solid	4 mm ²

minimum cross section fine stranded	0.13 mm ²
maximum cross section fine stranded	4 mm ²
wire strip length	11 mm

technical data UL/CSA

cross section UL	24-12 AWG
voltage UL	500 V
current factory wiring	20 A
current field wiring	20 A
cross section CSA	24-12 AWG
voltage CSA	500 V
current CSA	20 A

classification

ECLASS 11	
ECLASS 8.1	27141141
ETIM 9.0	EC000901
ETIM 8.0	EC000901
ETIM 7.0	EC000901
ETIM 6.0	EC000901
ETIM 5.0	EC000901
ETIM 4.0	EC000901
ETIM 3.0	EC000901

product compliance

ROHS conformity status	compliant
REACH-SVHC conformity status	compliant

Accessories

Commercial Art.No.:	Article-type description:	Description:
Z7.280.6227.0	jumper bar IVBWK 2,5- 2	Cross connector, insulated for DIN rail terminal blocks type WKF..., 2 - pole
Z7.280.6327.0	jumper bar IVBWK 2,5- 3	Cross connector, insulated for DIN rail terminal blocks type WKF..., 3 - pole
Z7.280.6427.0	jumper bar IVBWK 2,5- 4	Cross connector, insulated for DIN rail terminal blocks type WKF..., 4 - pole
Z7.280.6527.0	jumper bar IVBWK 2,5- 5	Cross connector, insulated for DIN rail terminal blocks type WKF..., 5 - pole
Z7.280.6627.0	jumper bar IVBWK 2,5- 6	Cross connector, insulated for DIN rail terminal blocks type WKF..., 6 - pole
Z7.280.6727.0	jumper bar IVBWK 2,5- 7	Cross connector, insulated for DIN rail terminal blocks type WKF..., 7 - pole
Z7.280.6827.0	jumper bar IVBWK 2,5- 8	Cross connector, insulated for DIN rail terminal blocks type WKF..., 8 - pole
Z7.280.6927.0	jumper bar IVBWK 2,5- 9	Cross connector, insulated for DIN rail terminal blocks type WKF..., 9 - pole
Z7.280.7027.0	jumper bar IVBWK 2,5- 10	Cross connector, insulated for DIN rail terminal blocks type WKF..., 10 - pole
98.300.0000.0	mounting rail TS 35x7,5 UNPERF - l:2000mm	Mounting rail TS 35, unslotted, size 7,5 mm, length 2 m, material steel. galv. zinc-plated and passivated

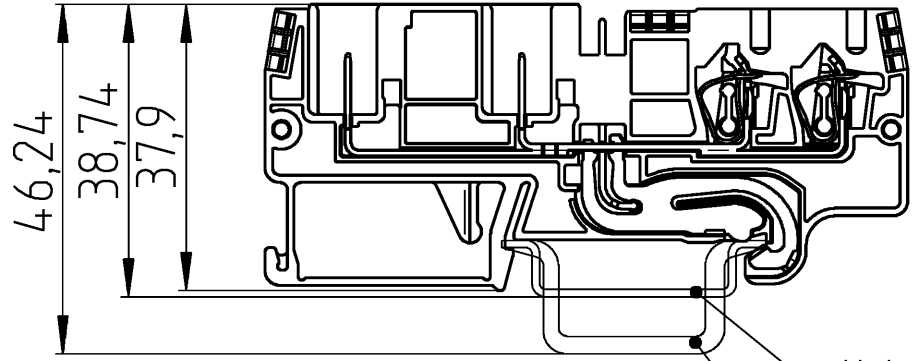
98.360.0000.0	mounting rail TS 35x15-2,3 UNPERF - l:2000mm	Mounting rail TS 35, unslotted, size 15 mm, length 2 m, material steel. galv. zinc-plated and passivated
Z7.280.7127.0	jumper bar IVBWK 2,5- 11	Cross connector, insulated for DIN rail terminal blocks type WKF..., 11 - pole
Z7.280.7227.0	jumper bar IVBWK 2,5- 12	Cross connector, insulated for DIN rail terminal blocks type WKF..., 12 - pole
Z7.280.8027.0	jumper bar IVBWK 2,5- 20	Cross connector, insulated for DIN rail terminal blocks type WKF..., 20 - pole
98.300.1000.0	mounting rail TS 35x7,5 PERF 15mm - l:2000mm	Mounting rail TS 35, slotted, size 7,5 mm, length 2 m, material steel. galv. zinc-plated and passivated
98.300.1800.0	mounting rail TS 35x7,5 PERF 18mm - l:2000mm	Mounting rail TS 35, slotted, size 7,5 mm, length 2 m, material steel. galv. zinc-plated and passivated
98.300.1900.0	mounting rail TS 35x7,5 PERF 25mm - l:2000mm	Mounting rail TS 35, slotted, size 7,5 mm, length 2 m, material steel. galv. zinc-plated and passivated
98.360.0004.0	mounting rail TS 35x15-2,3 UNPERF FZN - l:2000mm	Mounting rail TS 35, unslotted, size 15 mm, length 2 m, material steel, hot galvanized
98.370.0000.0	mounting rail TS 35x15 UNPERF - l:2000mm	Mounting rail TS 35, unslotted, size 15 mm, length 2 m, material steel. galv. zinc-plated and dichromated
98.370.1000.0	mounting rail TS 35x15 PERF 15mm - l:2000mm	Mounting rail TS 35, slotted, size 15 mm, length 2 m, material steel. galv. zinc-plated and passivated
98.380.0000.0	mounting rail TS 35x15-2,3 UNPERF CU - l:2000mm	Mounting rail TS 35, unslotted, size 15 mm, length 2 m, material E copper
07.313.0055.0	end plate APFN 2,5 D2/2/35	End plate for DIN rail terminal blocks type WKFN 2,5 TKM D2/2..., color: grey
07.313.0155.0	partition TWFN 2,5 TKM D2/2	Partition for DIN rail terminal blocks type WKFN 2,5 TKM D2/2..., color: grey

A
 Weitergabe sowie Vervielfältigung dieses Dokuments, Verwertung und Mitteilung seines Inhalts sind verboten, soweit nicht ausdrücklich gestattet. Die Reproduktion, Distribution und Utilization of this document as well as the communication of its contents to others without express authorization is prohibited.

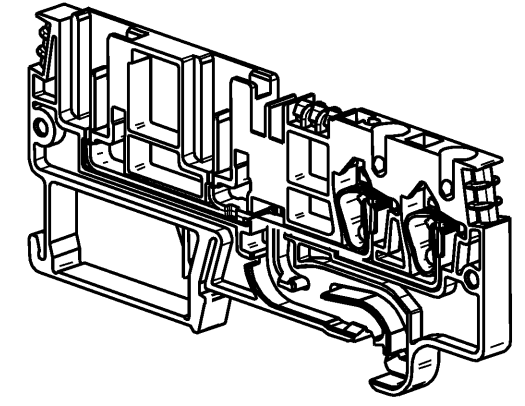
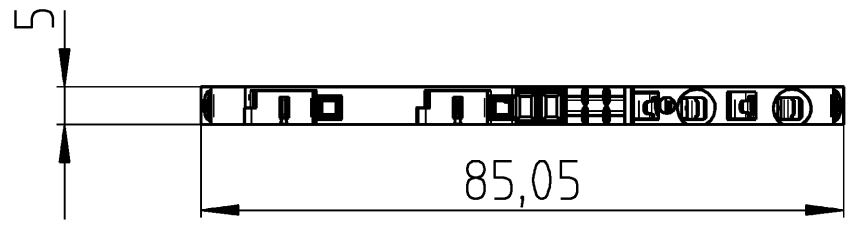
B
 These dimensions will be especially checked at delivery
 Only inspection dimensions
 With /E marked dimensions are only valid for internal use

C
 Diese Maße werden bei Abnahme besonders geprüft
 Ausschließlich Prüfmaße
 Mit /E gekennzeichnete Maße sind nur für interne Zwecke gültig

F



Hutschiene EN 60715-35x7,5
 mounting rail EN 60715-35x7,5
 Hutschiene EN 60715-35x15
 mounting rail EN 60715-35x15



56.703.2255.0	WKFN 2,5 2P / 2F SL	grün-gelb / green-yellow	X
Bestellnummer / Order number	Typ / Type	Farbe / colour	dar-gestellt / drawn
Weitere Daten siehe KATALOG oder eKatalog additional data see CATALOG or eCATALOG		www.wieland-electric.com eshop.wieland-electric.com	

Tolerierung Size ISO 14405 ☺ / Tolerance system Size ISO 14405 ☺. (This ISO-standard describes the envelope principle. According to the envelope principle the deviations of form and parallelism are limited by the size tolerances).		ja/yes ☑ Stoffverbots- und Deklarationsliste nach WN 5020.010 ist einzuhalten. Conformity with Wieland document WN 5020.010 e (list of prohibited / declarable hazardous substances) to be declared!	
Freitoleranz nach General tolerance		CAD - Zeichnung, keine manuellen Änderungen CAD - drawing, no manual modifications allowed	1. Verwendung: First Use:
Blatt: 1 von 1 Sheet: 1 of 1			
Werkstoff / Material		Tag/Date	Name
Maßstab / Scale		gezeichnet / drawn	23.05.2019 Schmitt J.
1:1		geprüft / checked	
		Normgepr. / Stand. check	
Vol. mm ³ / Dfl./Srf. mm ²		Ersatz für / Replacement for:	
www.wieland-electric.com		Type	Benennung/Title
Index Datum / Blatt Date / Sheet		SCHUTZLEITERKLEMME earth terminal	
Änderung / Revision			