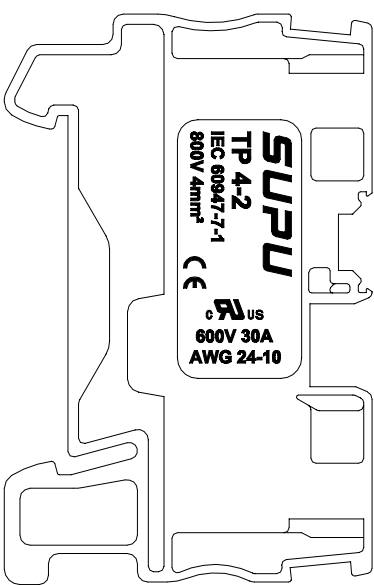
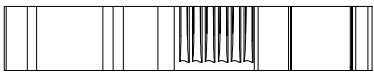
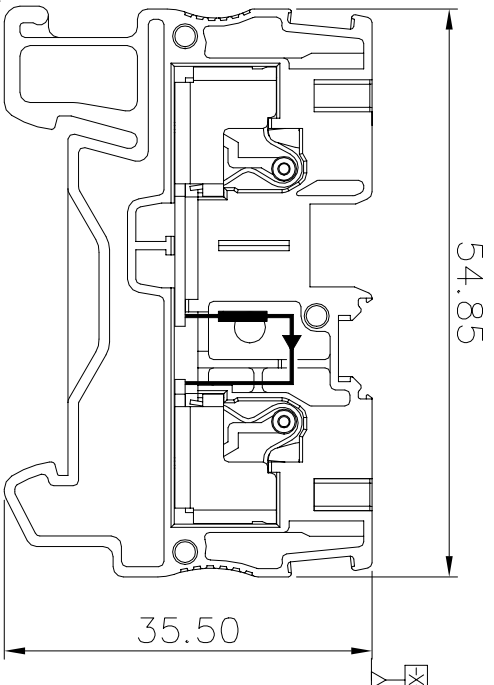
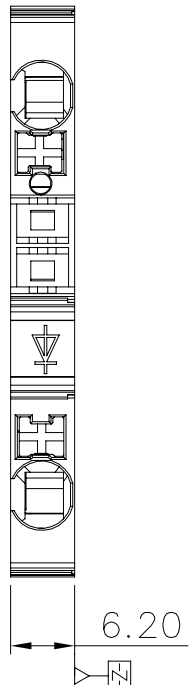


REVISION RECORD			
REV	ECN	DESCRIPTION	DATE

- Connection method:
1. For Solid wire, peel wire in right length, push down the wire.
 2. For flexible wire, peeling wire in right length, pushdown the key & fix the wire, or wire furred and fix then.



Transmittal, reproduction, dissemination and/or editing of this document as well as utilization of its contents and communication thereof to others without express authorization are prohibited.

未经允许禁止传输、复制、编辑该文档，以及利用其内容进行交流

Use group	B	C	D
Rated voltage(V)	600	600	
Rated current(A)	1.5	1.5	

- NOTES:
1. UL/CUL Standard
 2. Conductor cross section : 24~10AWG
 3. Rated Voltage/Current :

IEC Standard
1. Conductor cross section :

Wire range(Solid/Stranded)	0.2-4mm ²
Solid	0.2-6mm ²
Stranded	0.2-4mm ²
Stranded with ferrules	0.2-4mm ²
Stranded without plastic sleeve	0.2-4mm ²
Stranded with ferrules with plastic sleeve	0.2-4mm ²

2. Rated Voltage/Current :

Surge voltage category	III
Pollution degree	3
Rated surge voltage(KV)	8
Rated voltage(V)	800
Rated current(A)	1.5

Material:

Insulator	PA66	UL94 V-0
Conductor	Copper alloy	Sn Plated
Spring	Stainless steel	

- General information:
1. Dimension shall be interpreted per ASME Y14.5-2009
 2. Stripping length : 12mm
 3. Operating temperature: -40°C~+105°C
 4. RoHS Compliance
 5. Undimensioned Tolerances:

Pitch Range	Nominal Dimension		Range	
	mm	In mm	mm	In mm
6	0.239	0.009	0.254	0.010
10	0.375	0.015	0.390	0.016
24	0.952	0.037	0.967	0.038

HOW TO ORDER:
TP4-2L/R-XX

Series No. Color:
GY: Grey
BU: Blue
OG: Orange

订货号 Order No.	TP4-2L/R-XX	名称 Name	TP系列-二极管型 IN 5408 (1000V/1.5A) 两通道-4mm ²	未注公差 Tolerance	表面 Surface
项目 Item	签字 Signature	图号 Drawing No.	PRM002778	公差表 Tolerances Table	VDI21
设计 Design	谭满郁 Tan Manyu	材料 Material	Notes	版本号 Revision Number	M1
审核 Check	丁飞 Ding Fei	日期 Date	12/22/21	重量 Weight	/
工艺 Process	-	物料号 Item No.	411522003	比例 Scale	1:1
标准化 Unity	-	批准 Approve	徐俊 Xu Jun	第1页/共1页 1 of 1	mm