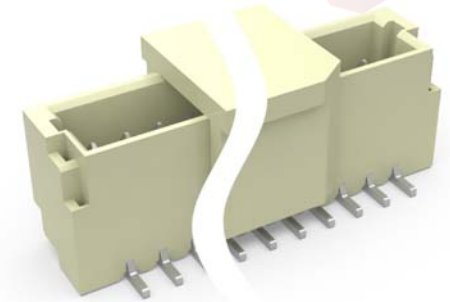
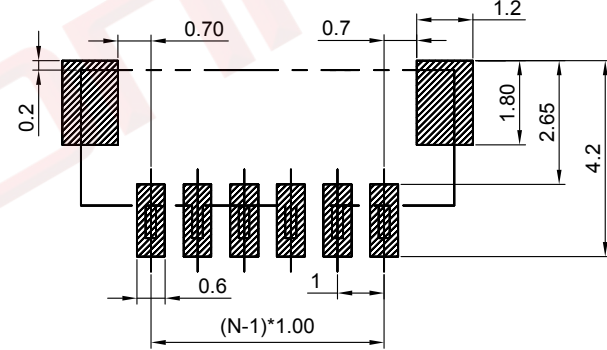
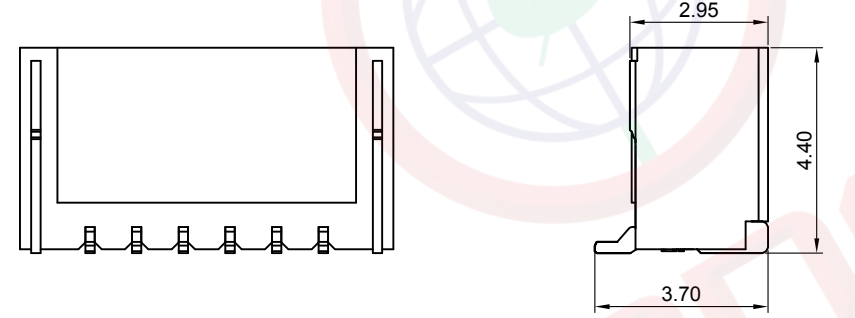
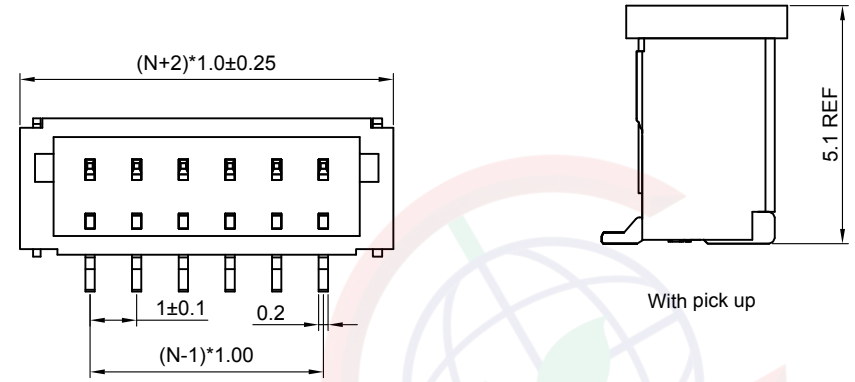


The information provided herein is from CONNELY Electronic Co., Ltd. and is confidential. Any disclosure to a party other than the recipient is prohibited. The intellectual properties and its rights contained herein, including but not limited to, trademarks, patents, copyrights, trade secrets, and technical know-how, are owned exclusively by CONNELY or its affiliates. Unauthorized use or reproduction of any part of this document is strictly prohibited. CONNELY may enforce its intellectual property rights at its own discretion, failures or delays to exercise such rights does not constitute a waiver of such rights.

REV.	DESCRIPTION	DRAWN	CHECKED	APPROVED
A	NEW RELEASE	JLZ 08/11/16'		
B	DRAWING UPDATE	JLZ 09/25/21'		



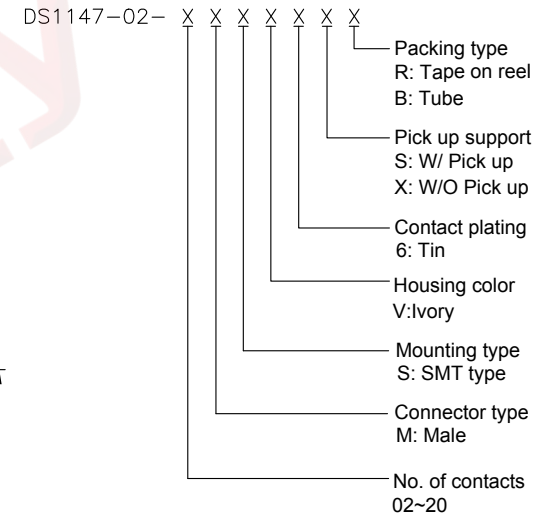
(Series Image-Reference Only)

Recommend PCB layout
(Tolerance:±0.05)

NOTES:

- Material
 - 1.1 Insulator:Thermoplastic(UL 94V-0).
 - 1.2 Contact: Copper alloy.
- Specification
 - 2.1 Temperature range:-40~+85°C.
 - 2.2 Contact resistance:20mΩ max.
 - 2.3 Insulation resistance:500MΩ min.
 - 2.4 Dielectric withstanding voltage:AC 250V per minute.

3. Product number code:



GENERAL TOLERANCE		ANGLE TOLERANCE		PROJECTION		TITLE	1.00mm WAFER CONNECTOR	
X.	±0.60	X.	±5°	UNITS	mm	V/T SMT TYPE		
.X	±0.38	.X	±3°	SHEET SIZE	A4	SERIES	DS1147-02 SERIES	
.XX	±0.25	.XX	±2°	晨翔电子有限公司 CONNELY CONNELY ELECTRONIC CO. LTD				
DRAWING TYPE		CUSTOMER						
SCALE		1:1						
DRAWING NO.				C-DS1147-02-XXXXXX-B				