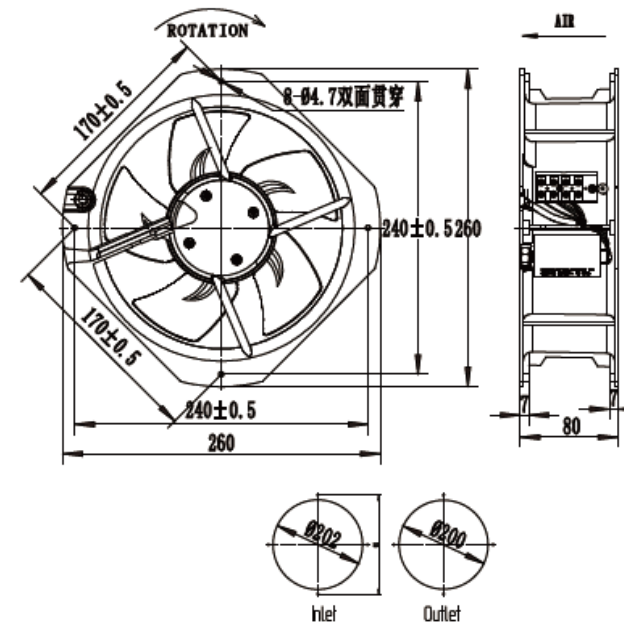


AC axial fan

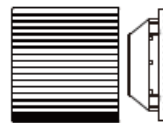
交流轴流风机



- 尺寸 Size: 225mm × 225mm × 80mm
- 风量 Airflow: 891-996m³/hr
525-587CFM
- 重量 Weight: 2112g
- 噪音 Noise: 65-68dBA
- 风叶 Impeller Material: Metal
- 外框 Frame: Aluminum Alloy
- 端子 Terminals: 0.5mm
- 引线 Lead Wire: Teflon 22#UL 1332(Optional)
- 马达 Motor: Capacitor-Run And External Rotor Induction Motor
- 温度范围 Operating Temperature: -10°C~+105°C

产品型号 Model	轴承型式 Bearing System	电压 Voltage VAC	频率 Freq. Hz	电流 Current A	功率 Power W	转速 Speed RPM	噪音 Noise dBA	风量 Air Flow		相数 Phase	电容 Capacitor
								M ³ /hr	CFM		
TG22580HA ₁ B-C	Ball	100/125	50/60	0.68/0.65	67/77	2550/2850	65/68	891/996	525/587	1	4.0uf/250v
TG22580HA ₂ B-C		200/240	50/60	0.35/0.28	62/80	2550/2850	65/68	891/996	525/587	1	2.2uf/400v
TG22580HA ₃ B		380/420	50/60	0.28	80	2550/2850	65/68	891/996	525/587	3	—
TG22580HA ₄ B-C		380/420	50/60	0.16/0.19	68/88	2550/2850	65/68	891/996	525/587	1	1uf/630v

Fan Accessories



JL500.200
JL905.200
JL905.200EMC
JL500.300EMC

