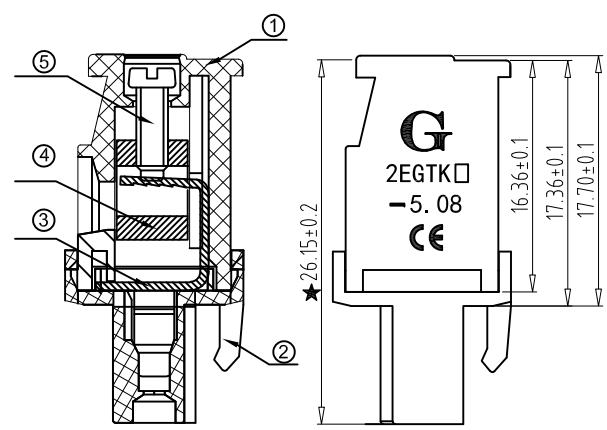
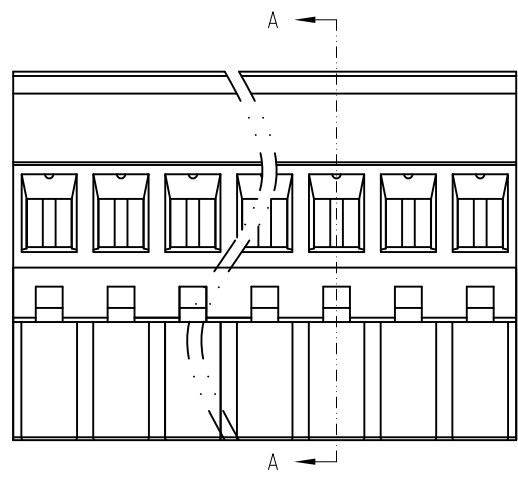
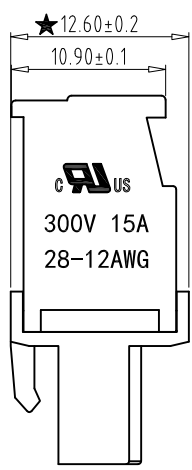


REV	CONTENT	CHK	DATE
V0.0	CONTENT	MYZ	21.07.03

Electrical :

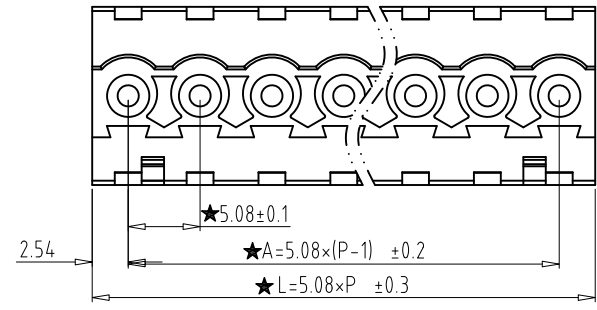
- | | | |
|--|-----------------|--------------------|
| | UL | IEC |
| 1. Rated Voltage : | 300V | 320V |
| 2. Rated Current : | 15A | 18A |
| 3. Torque Value : | M2.5 ,3.54Lb.in | M2.5, 0.4N.m |
| 4. Wire Range: | 28-12AWG | 2.5mm ² |
| 5. Stripping Length : | 7-8mm | |
| 6. Withstanding Voltage : | AC1600V/1Min. | |
| 7. Operating Temperature : | -40°C~+105°C | |
| 8. RoHS Compliance | | |
| 9. Safty Approval : | cULus CE | |
| 10. "★" is the key quality control point | | |



SECTION A-A

2EGTKB - 5.08 - XX - X X - 100

- | | | | | | |
|---------------|---------|---------------|------------------------------------|--|--|
| ① | ② | ③ | ④ | ⑤ | ⑥ |
| ① Series NO. | ② Pitch | ③ Poles | ④ 1 Single Pitch
2 Double Pitch | ⑤ Color: 1 Grey
2 Blue
3 Black
4 Green
5 Orange
6 Red
7 Transparent
8 Yellow
9 White | ⑥ Customer Request: 100--M2.5-Standard |
| 02 02Contacts | | 03 03Contacts | | | |
| 24 24Contacts | | | | | |



Total Pitch Tolerances in mm										Nominal dimension range in mm										⊥	≡	-	//
over	over	over	over	over	over	over	over	over	over	over	over	over	over	over	over	over	over	over	over	over	over	over	
0	30	53	70	90	115	150	250	350	500	0	30	53	70	90	115	150	200	250	320	0	10	all	
to	to	to	to	to	to	to	to	to	to	to	to	to	to	to	to	to	to	to	to	to	to	to	
30	53	70	90	115	150	250	350	500		30	53	70	90	115	150	200	250	320		100	150	150	
±0.18	±0.20	±0.25	±0.3	±0.35	±0.44	±0.60	±0.70	±0.85	±0.20	±0.25	±0.30	±0.35	±0.44	±0.55	±0.70	±0.80	±0.90			0.2	0.3	0.3	

5	SCREW	XX	P	STEEL	Zn Plated
4	BLOCK	XX	P	BRASS	Ni Plated
3	CLAMP	XX	P	BRONZE	Ni Plated
2	COVER	XX	1	PA66 UL94V-0	SEE NOTE
1	HOUSING	XX	1	PA66 UL94V-0	SEE NOTE
ITEM	NAME OF PART	NO. OF PART	Q'TY	MATERIAL	NOTE
DWG.	MYZ	DATE	21.07.03	SIZE	A4 UNITS mm SHEET/OF 1/1
CHK.		DATE		SCALE	1:1
APP.		DATE		NAME	2EGTKB-5.08-XX-XX-100
				DWGNO.	XXXX

Grolten 宁波冠泰电子有限公司
NINGBO GOLTEN ELECTRONICS CO., LTD.