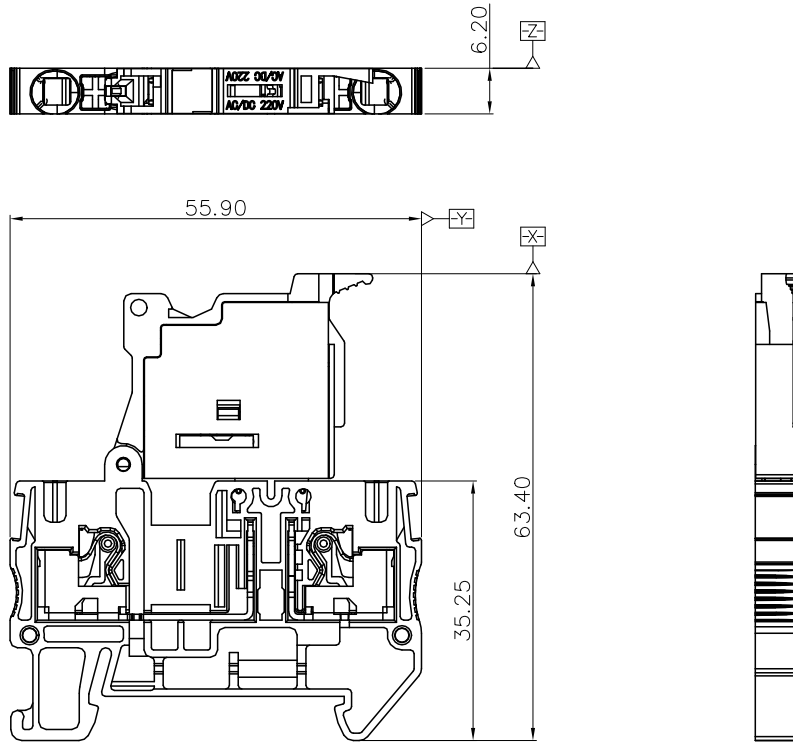


Transmittal, reproduction, dissemination and/or editing of this document as well as utilization of its contents and communication thereof to others without express authorization are prohibited.
未经允许禁止传输、复制、编辑该文档，以及利用其内容进行交流

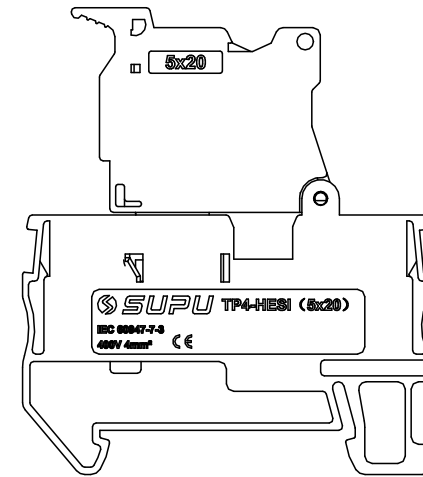
REVISION RECORD

REV	ECN	DESCRIPTION	DRFT	DATE



Connection method:

1. For Solid wire, peel wire in right length, push down the wire.
2. For flexible wire, peeling wire in right length, pushdown the key & fix the wire, or wire furrled and fix then.



NOTES:

UL/CUL Standard

1. Conductor cross section : 24~10AWG
2. Rated Voltage/Current :

Use group	B	C	D
Rated voltage(V)	220	220	
Rated current(A)	6.3	6.3	

Material:

Insulator	PA66	UL94 V-0
Conductor	Copper alloy	Sn Plated
Spring	Stainless steel	
Button	PA66	UL94 V-0

IEC Standard

1. Conductor cross section :

Wire range(Solid/Stranded)	0.2-4mm ²
Solid	0.2-6mm ²
Stranded	0.2-4mm ²
Stranded with ferrules without plastic sleeve	0.2-4mm ²
Stranded with ferrules with plastic sleeve	0.2-4mm ²

General information:

1. Dimension shall be interpreted per ASME Y14.5-2009
2. Stripping length : 10~12mm
3. Operating temperature: -40°C~+105°C
4. RoHS Compliance
5. Undimensioned Tolerances:

Pitch Range In mm	Nominal Dimension Range In mm							±	∩	∇
	Over 6 TO 10	Over 10 TO 24	Over 24 TO 30	Over 30 TO 60	Over 60 TO 100	Over 100 TO 150	Over 150	0.1/10	<	
	±0.15	±0.20	±0.30	±0.30	±0.50	±0.70	±1.00	±1.30	±2'	

HOW TO ORDER:

TP4-HESI(5x20)-XX-XX

Series No.

Color:
BK: Black
GY: Grey
BU: Blue
OG: Orange
Type:
LED220: Diode Voltage 220V

借通用件登记
Common Part

原图号
Old Draw. No.

底图总号
Assembly No.

订货号 Order No.	TP4-HESI (5x20)-LED220-BK	名称 Name	TP系列-正面接线-02P-4mm ² 悬臂式保险丝端子带发光二极管AC/DC 220V	未注公差 Tolerance	表面处理 Surface		
项目 Item	签字 Signature	日期 Date	图号 Drawing No.	Tolerances Table	VDI21		
设计 Design	QLD	11/21/22"	PRM003437	版本号 Revision Number	重量 Weight	比例 Scale	
审核 Check	DF	11/21/22"	材料 Material	T0-1	/	1:1	
工艺 Process	-	-	物料号 Item No.	第1页/共1页 1 of 1			mm
标准化 Unify	-	-	411520129	SUPU 宁波速普电子有限公司			
批准 Approve	LWL	11/21/22"		NINGBO SUPU ELECTRONICS CO.,LTD.			

1

2

3

4

5

6

7

8