

Data sheet

Commercial Art.No.: 91.922.9053.0

Device connector GST15i2S S1 R WS

GST15i2 device connector, 2 pole, snap-in male, coding protection class II 250 V, 16 A, coding color white, color snap-in frame white



Commercial Art.No.	91.922.9053.0
EAN	4015573906167
Order Unit	1

Certificates / Approvals



Technical data

General

Rated current	16 A
Rated voltage	250 V
Pollution degree	2
Mechanical coding	Code 1
Rated impulse voltage	4 kV
Lockable	self-locking (unlocking by tool)
Color of coding/ contact carrier	white
Marking of poles	L, N
Color of separate adapter (if present)	white

Connection Data

Connection cross section solid mm ² max.	2.5 mm ²
Connection cross section solid mm ² min.	0.5 mm ²
Connection cross section fine stranded mm ² max.	2.5 mm ²
Connection cross section fine stranded mm ² min.	0.5 mm ²
Terminations per pole	1
Wire strip length	8 mm

Model

Model	male
Connection type	screw connection
Angle of plug	straight
Degree of protection (IP)	IP20
Thickness of housings (electrical device) 2	0.5 mm
Thickness of housings (electrical device)	1.5 mm
built-in component	snap-in

Material

Housing material	Polyamide
halogen free	yes
Contact material	CuZn
Fire load	0.031 kWh
Insulation components continuous temperature	100 °C
Surface finish	Silver-plated

Dimensions

Length	30.2 mm
Width	18 mm
Height	19.6 mm

Classification

ECLASS 11	
ECLASS 8.1	27440602
ETIM 7.0	EC002566
ETIM 6.0	EC002566
ETIM 5.0	EC002566
ETIM 4.0	EC002566

Product compliance

ROHS conformity status	Compliant/Exempted
ROHS exceptions	III-6(c)
REACH-SVHC conformity status	Duty-To-Declare
REACH-SVHC substances	Lead
REACH-SVHC CAS numbers	7439-92-1

Montagemöglichkeit "I"

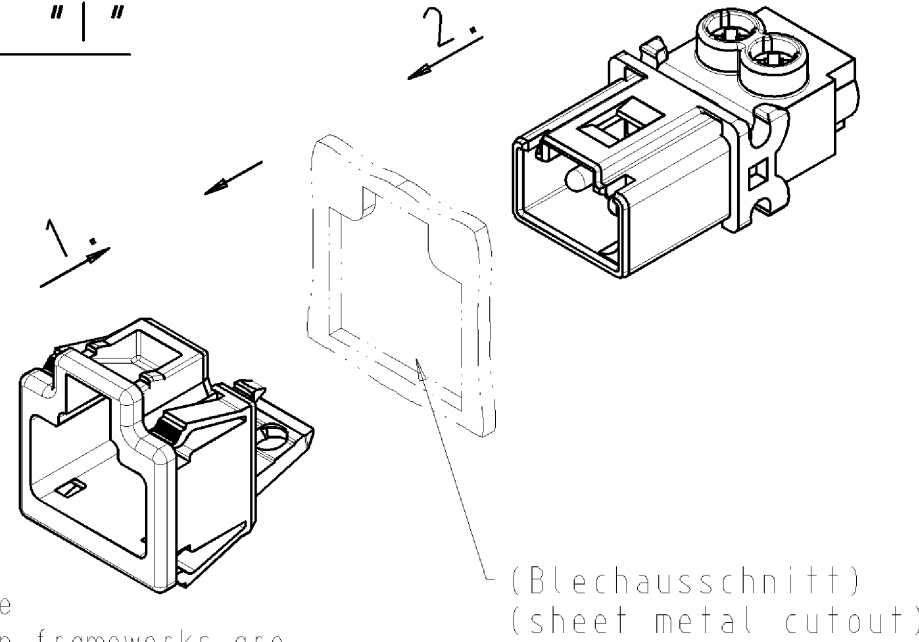
Mounting option "I"

Montageschritte

1. Snap-In-Rahmen in Blechausschnitt stecken
2. Stecker in Snap-In-Rahmen stecken

Assembly steps:

1. Snap in frameworks into sheet metal cutout are
2. male connector into Snap in frameworks are



Montagemöglichkeit "II"

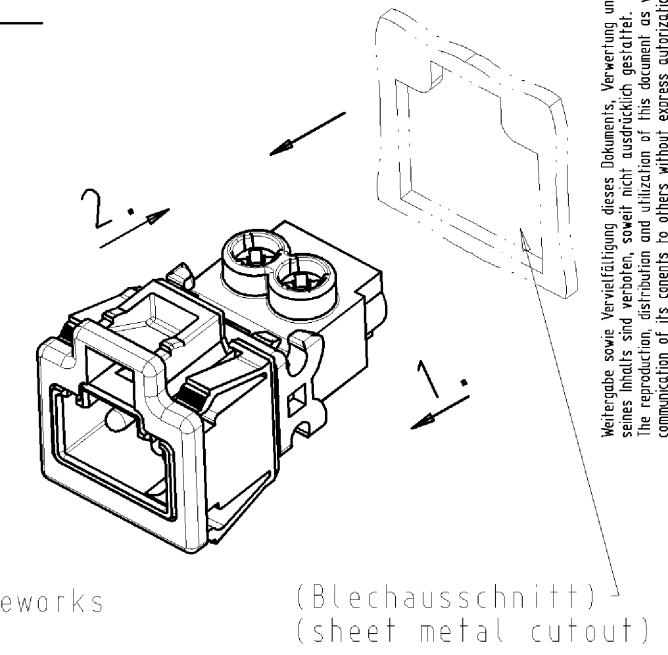
Mounting option "II"

Montageschritte

1. Stecker in Snap-In-Rahmen stecken
2. Stecker mit Snap-In-Rahmen in Blechausschnitt stecken

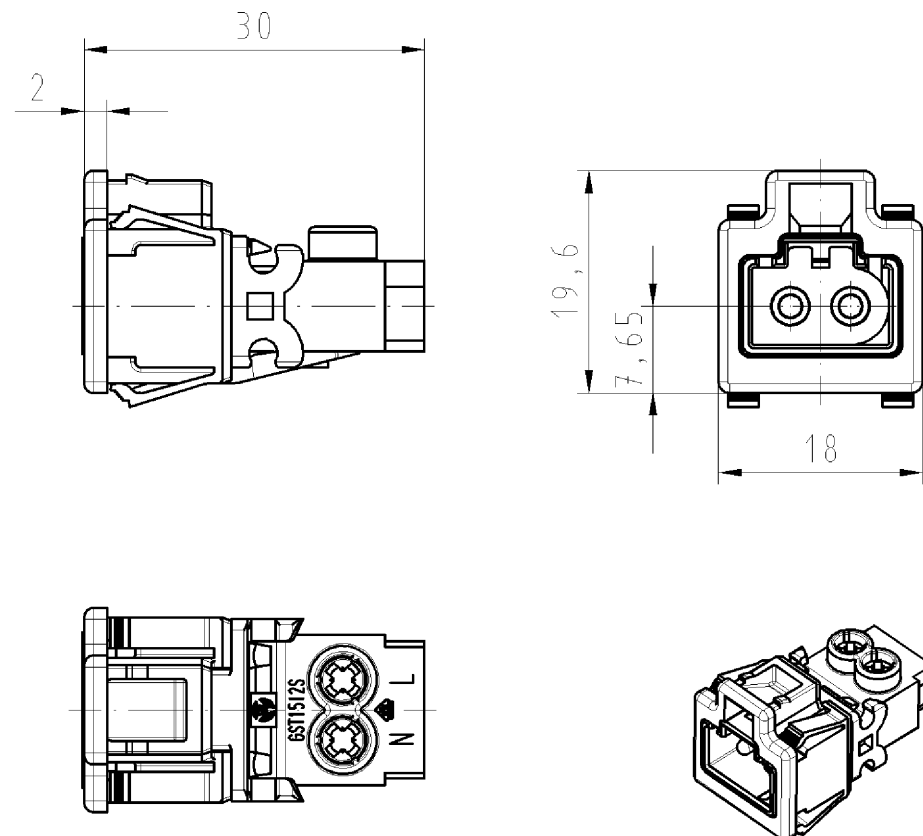
Assembly steps:

1. male connector into Snap in frameworks are
2. male connector with Snap in frameworks into sheet metal cutout are



montierter Zustand (kein Auslieferungszustand)

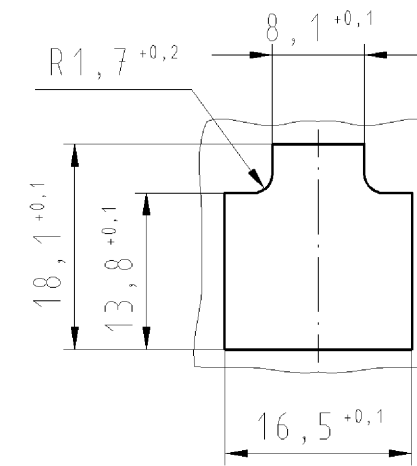
installed condition
(no delivery status)



Blechausschnitt

sheet metal cutout

t=0,5-1,5



Weitere Daten siehe Katalog
further data see catalog

Teile - Nr. part - no.	Farbe colour
91.922.9053.0	weiß, ähnl. RAL 9003 white, similar to RAL 9003
91.922.9053.1	schwarz, ähnl. RAL 9005 black, similar To RAL 9005

Tolerierung nach DIN 7167/Tolerance system acc. to DIN 7167. (This DIN-standard describes the envelope principle. According to the envelope principle the deviations of form and parallelism are limited by the size tolerances).				ja/yes <input checked="" type="checkbox"/> Stoffverbots- und Deklarationsliste nach UU-TQM-05/03 ist einzuhalten. Conformity with Wieland document UU-TQM-05/03 (list of prohibited / declarable hazardous substances) to be declared!			
Freitoleranz nach General tolerance		CAD - Zeichnung, keine manuellen Änderungen CAD - drawing, no manual modifications allowed		1. Verwendung: First Use: -		Blatt: 1 von 1 Sheet: of 1	
/		Werkstoff/Material Farbe: siehe Tabelle colour see table		2009 Tag/Date Name gezeichnet drawn 04.11. Treschan		Zeichnung Nr./Drawing No. Index T 91.922.9053.0 01K	
/		Maßstab/Scale %		geprüft checked -		Maße in mm/Dimensions are in mm	
/		Vol. mm ³ Öl./Surf. mm ²		Ersatz für/Replacement for: -			
/		wieland		Type		Benennung/Title STECKERT_SNAP_IN	
/		Elektrische Verbindungen				GST1512SSI R .. (Netzanschluss) male connector snap in , (mains connection)	
Index Datum / Blatt Date / Sheet		Änderung/Revision					

Weitergabe sowie Vervielfältigung dieses Dokuments, Verwertung und Mitteilung seines Inhalts sind verboten, soweit nicht ausdrücklich gestattet. Die Reproduktion, Distribution und Nutzung dieses Dokuments, sowie die Kommunikation der Inhalte zu anderen ohne ausdrückliche Genehmigung ist verboten.

919229053001K_4_CADW2036 treschan 2009-11-04T10:54:25 1.000