

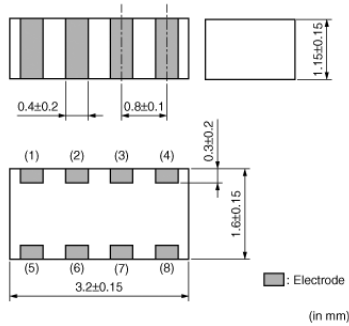
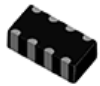
DLP31DN201ML4#

“#” indicates a package specification code.



< List of part numbers with package codes >
DLP31DN201ML4B DLP31DN201ML4L

Appearance & Shape



Features

DLP31D series is chip common mode choke coil array which realizes high coupling and high impedance in a small size with ferrite material technology and thin film processing technology.

Features

1. 2 components are included in 3.2x1.6mm
2. Thin type 1.15mm
3. High common mode Impedance characteristics (max. 440 ohm, at 100MHz)
4. DLP31D can suppress common mode noise without damage to signal wave.

Applications

Other Usage	For general
-------------	-------------

Applications

Common mode noise suppression of high speed differential signal lines for USB, IEEE1394, LVDS

1. Main board of personal computers, note PCs
2. Printers, Scanners
3. LCD monitors
4. Game equipment
5. PC peripheral equipment

Packaging Information

Packaging	Specifications	Minimum Order Quantity
B	Bulk(Bag)	500
L	180mm Embossed Tape	3000

Attention

- 1.This datasheet is downloaded from the website of Murata Manufacturing Co., Ltd. Therefore, it's specifications are subject to change or our products in it may be discontinued without advance notice. Please check with our sales representatives or product engineers before ordering.
- 2.This datasheet has only typical specifications because there is no space for detailed specifications.
Therefore, please review our product specifications or consult the approval sheet for product specifications before ordering.

DLP31DN201ML4#

“#” indicates a package specification code.



Specifications

Shape	SMD	Operating Temperature Range	-40°C to 85°C
Size Code (in mm)	3216	Mass(typ.)	0.03g
Size Code (in inch)	1206	Number of Circuit	2
Length	3.2mm	Operating Temperature Range(Self-temperature rise is included)	No
Length Tolerance	±0.15mm		
Width	1.6mm		
Width Tolerance	±0.15mm		
Thickness	1.15mm		
Thickness Tolerance	±0.15mm		
Common Mode Impedance (at 100MHz)	200Ω		
Common Mode Impedance (at 100MHz) Tolerance	±20%		
Rated Current	100mA		
Rated Voltage	10Vdc		
Withstanding Voltage	25Vdc		
DC Resistance(max.)	2.2Ω		
DC Resistance	2.2Ω max.		
Insulation Resistance(min.)	100MΩ		

Attention

1.This datasheet is downloaded from the website of Murata Manufacturing Co., Ltd. Therefore, it's specifications are subject to change or our products in it may be discontinued without advance notice. Please check with our sales representatives or product engineers before ordering.

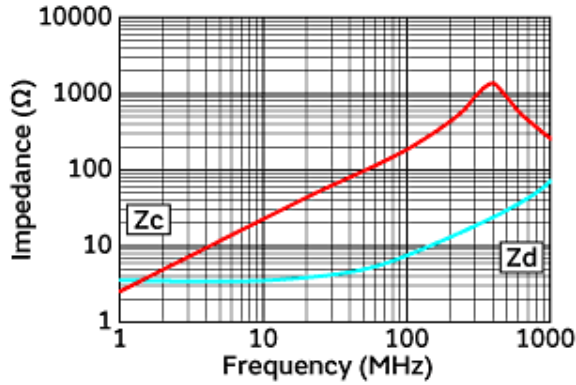
2.This datasheet has only typical specifications because there is no space for detailed specifications.

Therefore, please review our product specifications or consult the approval sheet for product specifications before ordering.

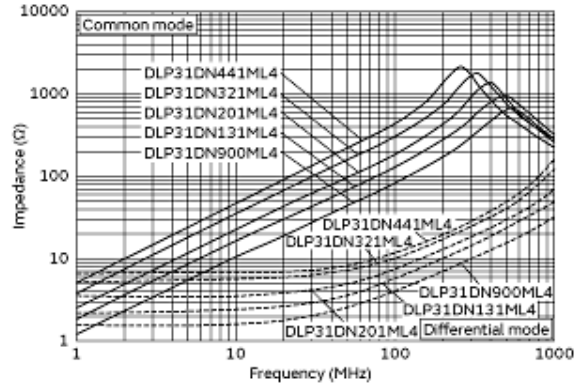
DLP31DN201ML4#

“#” indicates a package specification code.

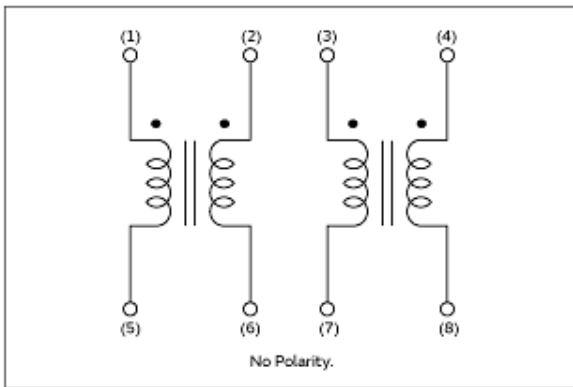
Product Data



Impedance-Frequency Characteristics



Impedance-Frequency Characteristics (Main Items)



Equivalent Circuit

Attention

- 1.This datasheet is downloaded from the website of Murata Manufacturing Co., Ltd. Therefore, it's specifications are subject to change or our products in it may be discontinued without advance notice. Please check with our sales representatives or product engineers before ordering.
- 2.This datasheet has only typical specifications because there is no space for detailed specifications. Therefore, please review our product specifications or consult the approval sheet for product specifications before ordering.