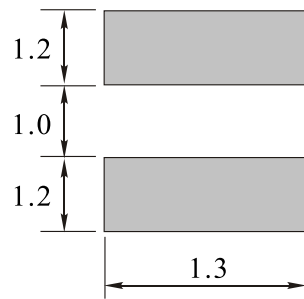
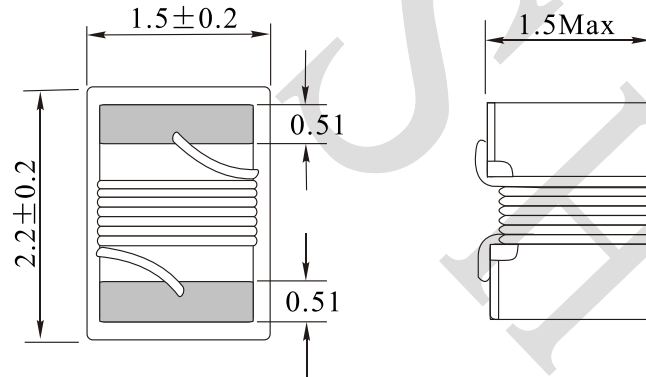
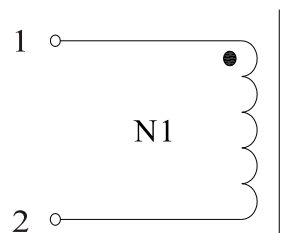


Rev.	Description	Date
A0	New release	2022.12.05

1. PHYSICAL CHARACTERISTICS (mm)



2. ELECTRONICAL SCHEMATIC



3. ELECTRONICAL SPECIFICATIONS

L: 1000nH ± 5% @ 7.96MHz, 0.2V

Q: 20 typ. @ 7.96MHz

DCR: 0.5 Ω ± 20%

IDC : 250mA Max

SRF: 350MHz Min

Operating temperature: -25°C to +125°C

Test Instrument:

L,Q: HP4294A+42942A+16193A

RDC: HM2540

IDC: WK3260B

Note:

1. Solderability: leads shall meet MIL-STD-202, Method 208D for solderability.
2. Flammability: UL94V-0
3. ASTM oxygen index: >28%

NAME:	Surface-mount wire-wound ferrite chip inductors		
CUSTOMER P/N:	B82498B1102J	DATE:	2022-12-05
SHINHOM P/N:	AISC0805F-1R0J-0.25A	REV: A0	PAGE
DRAWN BY	CHECKED BY	APPROVE BY	



SHINHOM
SHAANXISHINHOM ENTERPRISE CO LTD

The Document property belong to SHINHOM & is not allowed to be duplicated without authorization