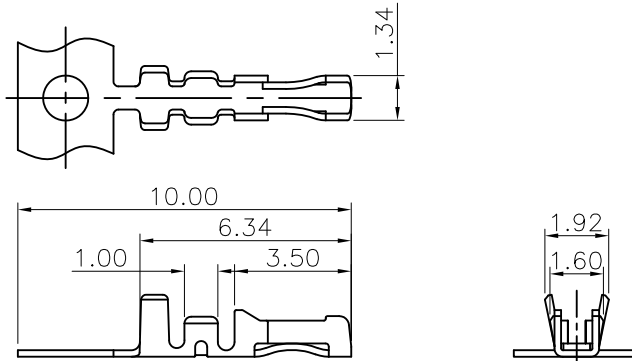


REV.	DESCRIPTION	DRAWN	CHECKED	APPROVED
A	NEW RELEASE	YCH 03/16/09'	~	LJC 03/16/09'
B	DRAWING UPDATE	JLZ 05/18/17'	HZW 05/18/17'	LJC 05/18/17'
C	DRAWING UPDATE	JLZ 06/12/18'	~	

TERMINAL



NOTES:

1. MAIN SPECIFICATIONS

- . Rated voltage: 250V
- . Rated current: 1A
- . Contact resistance: $\leq 30m\Omega$
- . Insulation resistance: $\geq 1000M\Omega$
- . Withstanding voltage: 500V,AC 1 minute
- . Temperature range: $-25 \sim +85^{\circ}C$

2. PRODUCT NUMBER CODE:

TERMINAL

T - DS1071-01 - S C X 0 0

- Contact Plating
- 0: Selective Gold Flash
- 6: Full Tin
- 8: Full Gold Flash

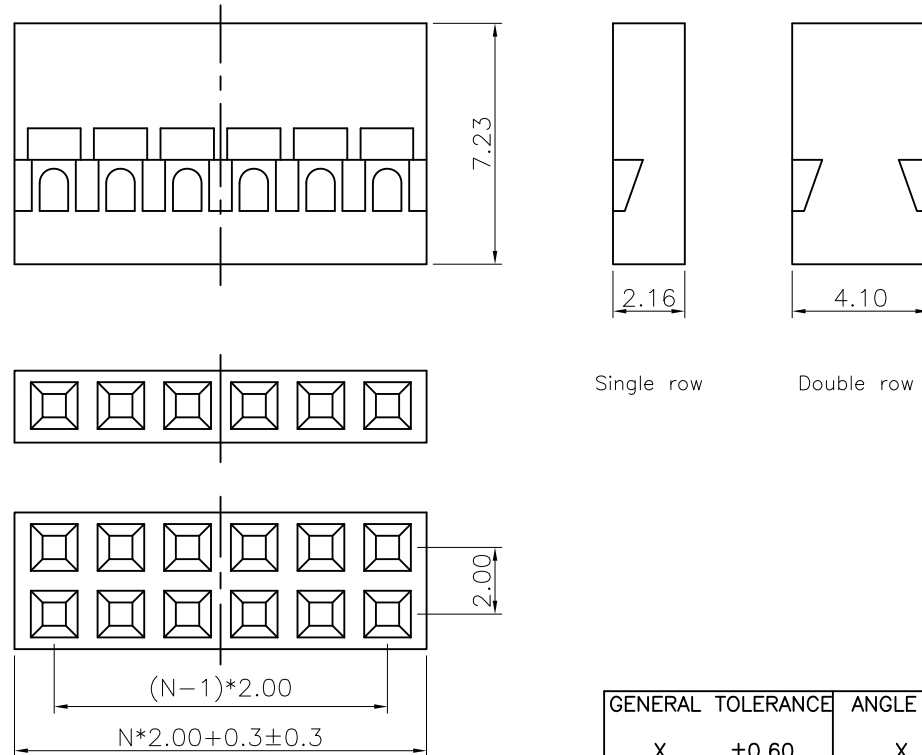
Housing

I - DS1071-01 - S C B 0 X

- No.of Hole
- 1*1~1*40(Single row)
- 2*1~2*40(Double row)

- Housing Color
- B: Black

Housing



Single row

Double row

N=No.of Hole(Single row)

N=No.of Hole/2(Double row)

GENERAL TOLERANCE		ANGLE TOLERANCE		PROJECTION	TITLE
X.	± 0.60	X.	$\pm 5^{\circ}$		P.C.B CONNECTOR 2.00mm TJC8 TYPE
.X	± 0.38	.X	$\pm 3^{\circ}$	mm	
.XX	± 0.25	.XX	$\pm 2^{\circ}$	A4	SHEET SIZE
DRAWING TYPE		CUSTOMER		SERIES	DS1071-01 SERIES
SCALE		1:1	SHEET	1 OF 1	
DRAWING NO.		C-DS1071-01-XXXXX-C			

晨翔电子有限公司
CONNFLY CONNFLY ELECTRONIC CO. LTD